

Silicon PNP Power Transistors

2SB1273

DESCRIPTION

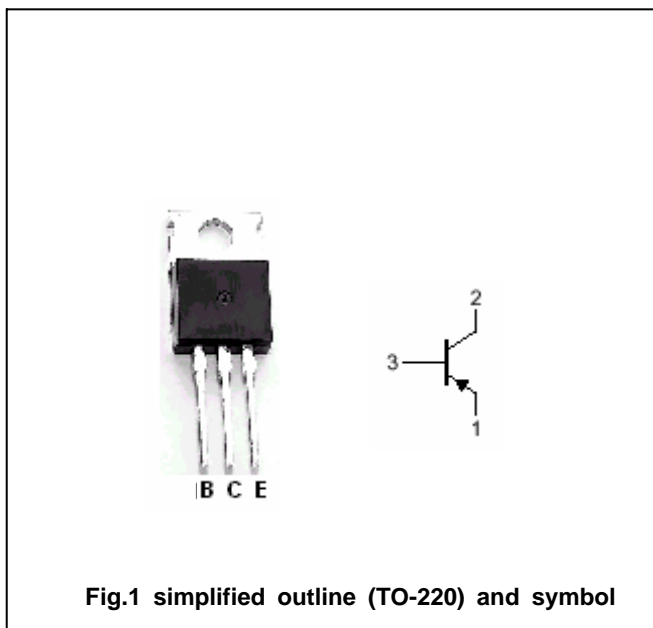
- With TO-220 package
- Low collector saturation voltage

APPLICATIONS

- Designed for use in low frequency power amplifier applications

PINNING

PIN	DESCRIPTION
1	Emitter
2	Collector;connected to mounting base
3	Base



Absolute maximum ratings(Ta=25)

SYMBOL	PARAMETER	CONDITIONS	VALUE	UNIT
V_{CBO}	Collector-base voltage	Open emitter	-60	V
V_{CEO}	Collector-emitter voltage	Open base	-60	V
V_{EBO}	Emitter-base voltage	Open collector	-6	V
I_C	Collector current		-3	A
I_{CM}	Collector current-peak		-8	A
P_C	Collector power dissipation	$T_C=25$	30	W
T_j	Junction temperature		150	
T_{stg}	Storage temperature		-55~150	

Silicon PNP Power Transistors

2SB1273

CHARACTERISTICS

T_j=25 unless otherwise specified

SYMBOL	PARAMETER	CONDITIONS	MIN	TYP.	MAX	UNIT
V _{(BR)CEO}	Collector-emitter breakdown voltage	I _C =-5mA, R _{BE} =	-60			V
V _{(BR)CBO}	Collector-base breakdown voltage	I _C =-1mA, I _E =0	-60			V
V _{(BR)EBO}	Emitter-base breakdown voltage	I _E =-1mA, I _C =0	-6			V
V _{CEsat}	Collector-emitter saturation voltage	I _C =-2A; I _B =-0.2A		-0.4	-1.0	V
V _{BE}	Base-emitter on voltage	I _C =-0.5A; V _{CE} =-5V		-0.8	-1.0	V
I _{CBO}	Collector cut-off current	V _{CB} =-40V; I _E =0			-100	μA
I _{EBO}	Emitter cut-off current	V _{EB} =-4V; I _C =0			-100	μA
h _{FE-1}	DC current gain	I _C =-0.5A; V _{CE} =-5V	70		280	
h _{FE-2}	DC current gain	I _C =-3A; V _{CE} =-5V	20			
C _{OB}	Output capacitance	I _E =0; V _{CB} =-10V, f=1MHz		60		pF
f _T	Transition frequency	I _C =-0.5A; V _{CE} =-5V		100		MHz

◆ h_{FE-1} Classifications

Q	R	S
70-140	100-200	140-280

PACKAGE OUTLINE

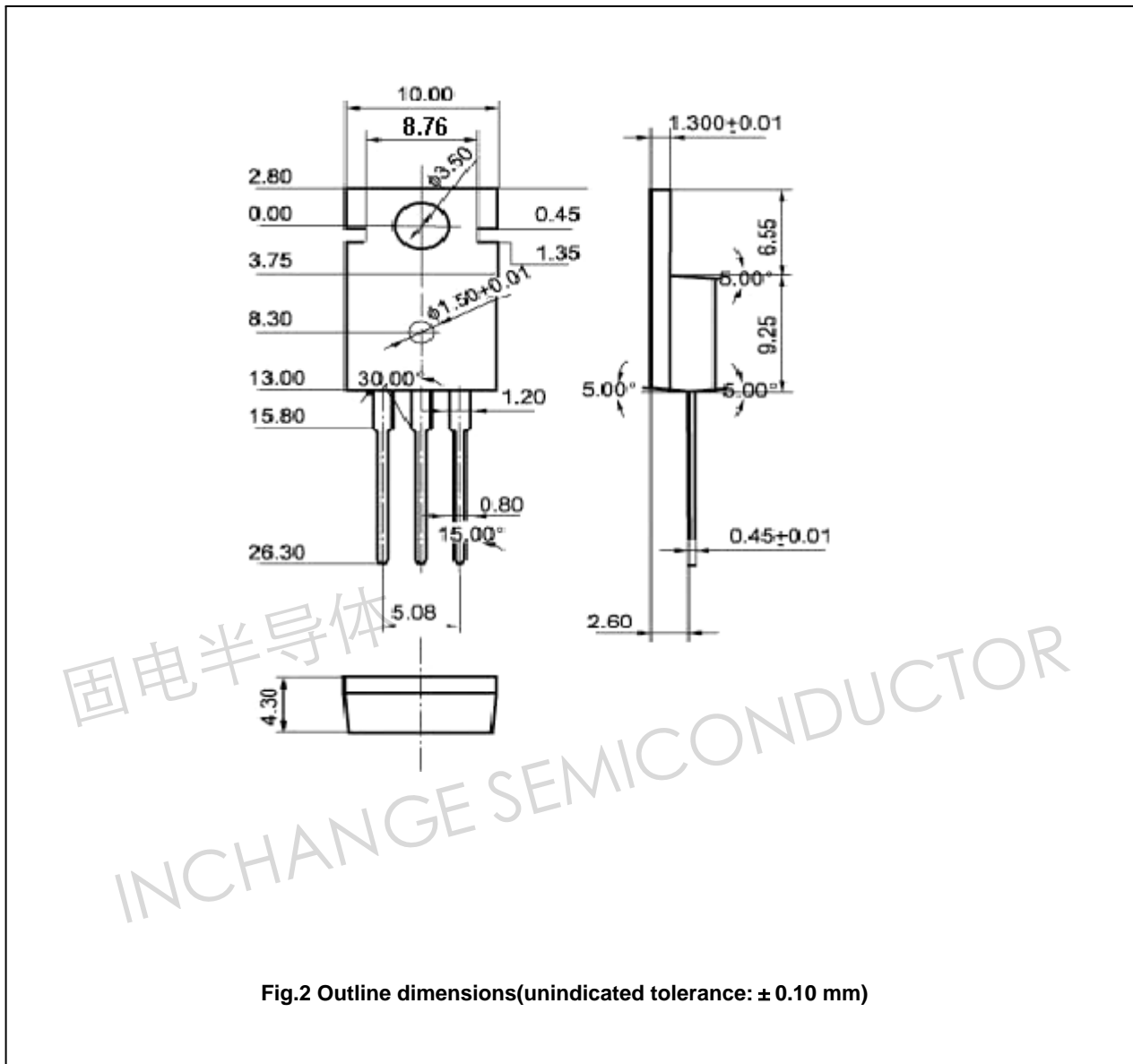


Fig.2 Outline dimensions(unindicated tolerance: ± 0.10 mm)