

## Explosion-Proof Rotary Switch



### Description

The explosion proof rotary switches are used for electrical isolation of machinery to enable safe access. This switch can be mounted within the hazardous location.


### Features

- Conforms to EExd IIB T6
- Zone 1 and 2 hazardous locations
- 4 N.O. or 2 N.C. + 2 N.O.
- Direct opening operation

### Specifications

Standards	EN50014 – 018
Approvals	CE marked for all applicable directives
No & Type of Conduit Entries	4 x M20 (2 Plugged)
Rtd. Insulation Voltage (Ui)	690
Rtd. Impulse withstand Voltage (Uimp)	6kv
Rtd Uninterrupted Current (Iu) IEC/EN/VDE/UL/CSA	40A
Rtd. Operational Voltage (Ue) IEC/EN/SEV/VDE/UL/CSA	600V
Main Switch Isol. Voltage	690V
Rtd. Operational Current (Ie) AC-21A IEC/EN/VDE AC-1 SEV	40A
Rtd. Op.Power at 50/ 60 Hz AC-23A IEC/EN/VDE	
3 phase 220-240V	7.5kw
3 pole 380-440V	15kw
500-690V	15kw
AC-3A IEC/EN/VDE	
3 phase 220-240V	7.5kw
3 pole 380-440V	11kw
500-690V	11kw
DOL-Rating UL/CSA	
3 phase 140V	3kw
3 pole 240V	7.5kw
480V	15kw
600V	15kw
Rated Breaking Capacity	
AC-23/AC-3 220-240V	7.5kw
Motor Switch 380-440V	15kw
500-690V	15kw
Maximum Fuse Size (G)	50A
Rated fuse Short Circuit Current	500A
Terminal Cross Section Single/Multiple Wire	
Minimum mm <sup>2</sup>	1
Maximum mm <sup>2</sup>	16
Fine Strand Wire with Sleeve	
Minimum mm <sup>2</sup>	1
Maximum mm <sup>2</sup>	16
American Wire Gauge (AWG)	6
Enclosure IP Rating	IP66
Weight	10.5kg (23.2lbs)
Electrical Operations	100,000
Operating Temperature	-20°C to +40°C (-4°F to 104°F)
Mechanical Operations	100,000
Humidity	25% – 95%

**Product Selection**

Type	Current	Contacts	Catalogue Number
	24 A	4 N.O.	440T-MERSE10 ①
		2 N.O. & 2 N.C.	440T-MERSE12 ①

① Substitute the desired primary code for this symbol (key not included). See page 5-7 for code selection.

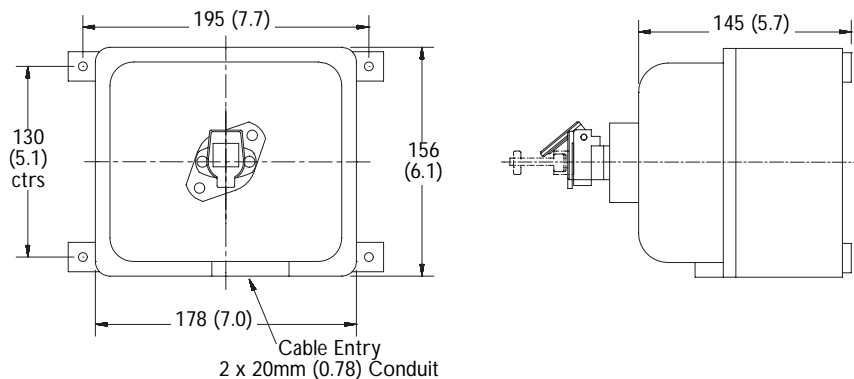
**Accessories**

Description	Page Number	Catalogue Number
Key	5-33	440T-AKEYE10⊗
Code Barrel	5-33	440T-ASCBE11 ①
Dust Cap	5-33	440T-ASFC10⊗

① Substitute the desired primary code for this symbol (key not included). See page 5-7 for code selection.

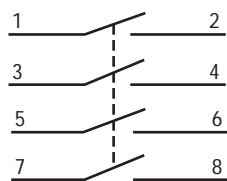
⊗ Substitute the desired code for this symbol. See page 5-7 for code selection.

**Approximate Dimensions—mm (inches)**

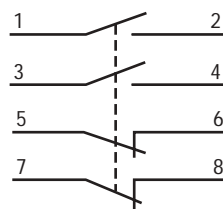


**Typical Wiring Diagrams**

Diagrams shown are key free



440T-MERSE10



440T-MERSE10