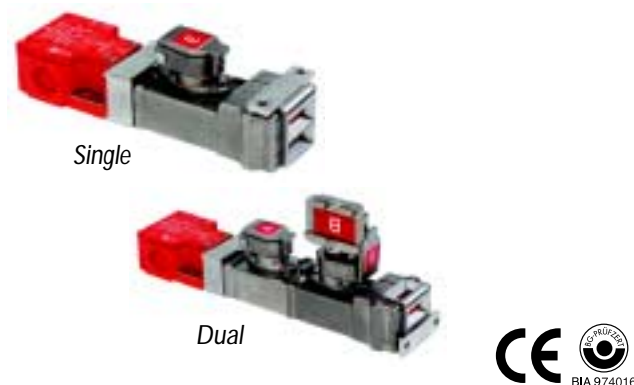


# Prosafe Trapped Key Interlock Switches

## Slamlock Electrical



### Description

The Prosafe Slamlock with electrical isolation combines the features of trapped key tongue actuated interlocks while also providing sets of electrical safety and auxiliary contacts. When the actuator is inserted into the lock and the key is removed the actuator is trapped in the unit thus locking closed the guard door. In this state the safety contacts are closed and the auxiliary contacts are open. To open the guard door the key must be inserted and rotated 90°, opening the safety contacts, closing the auxiliary contacts and enabling the actuator to be released thus unlocking the guard door. While the guard door is open the key is trapped in the unit.

Slamlocks with electrical isolation offer the features of electrical safety interlock switches with the benefits of a trapped key/enforced sequence systems. They allow a combination of both approaches for safeguarding machinery and processes to be used.

The single key Slamlock (SSS) is used to interlock hatches, guards and doors where full body access is not required. The single key locks the actuator and operates the switch in the same action.

Dual key Slamlock (DSS) is similar to the single key version but has a secondary key to allow '2 key in' or 'key exchange' conditions. The key exchange version may be used where whole body access is required, as the secondary key can be used as a personnel key.

### Features

- Electrical safety contacts combined with trapped key/enforced sequence feature
- Most of unit constructed from 316L stainless steel
- Selection of actuator types available
- Single or dual key versions available
- Direct drive operation
- Replaceable code barrel assembly
- Weatherproof stainless steel dust cap as standard

### The Prosafe Advantage



Stainless steel construction.

### Specifications

Standards	EN292-1&2, EN1088, IEC/EN60947-5-1, GS-ET-19, ISO12100-1&2, ISO14119, AS4024.1
Category	Cat. 1 per EN 954-1 (ISO 13849-1) Suitable for Cat. 2, 3, or 4 systems
Approvals	BG, CE marked for all applicable directives, and C-Tick not required
Safety Contact	2 N.C. positive break
Utilization Category	AC 15 500V 250V 100V 1A 2A 5A DC 250V 0.5A, 24V 2A
Max. Switched Current/Voltage/Load	500V/500V A
Thermal Current (Ith)	10A
Minimum Current	5V 5mA DC
Safety Contact Gap	>2 x 2mm (0.07in)
Rtd. Insulation Voltage	(Ui) 500V
Rtd. Impulse Withstand Volt.	(Uimp) 2500V
Auxiliary Contacts	1 N.O.
Pollution Degree	3
Actuator Travel-Pos. Opening	5mm (0.19in)
Minimum Operating Radius	175mm (6.88in) (60mm (2.36in) with flexible actuator)
Break Contact Min. Force	12N (2.7lbs)
Max. Actuation Speed	1m/s
Max. Actuation Frequency	2 cycle/s
Case Material	UL approved glass-filled polyester & 316L Stainless Steel
Actuator Material	Stainless steel
Contact Protection	IP67
Conduit Entry	3 x M20
Operating Temperature	-20°C to +80°C (-4°F to 176°F)
Humidity	95% RH
Mounting	SSS 4 x M5 Counterbored from Top or 4 x M5 from Underside with Nuts DSS 6 x M5 Counterbored from Top or 6 x M5 from Underside with Nuts
Mechanical Life	100,000
Electrical Life	1,000,000
Weight	(SSSE) 1160g (2.6lbs) (DSSE) 1700g (3.7lbs)
Colour	Red/Stainless
Max. Holding Force	2000N (450lbs)
Max. Releasable Load	100N (22.5lbs)
Max. Shear Force for Keys	15.1KN (3398lbs)
Max. Torque to Key	14Nm (124lb•in)

**Note:** The safety contacts of the Guardmaster switches are described as normally closed (N/C), i.e. with the guard closed, actuator in place (where relevant) and the machine able to be started.

Prosafe Trapped Key Interlock Switches  
**Slamlock Electrical**

**Product Selection**

Contacts	Type	Key Condition	Actuator	Catalogue Number
2 N.C. + 1 N.O. Break Before Make	Single Key	Key Trapped to Release Actuator	Standard	440T-MSSSE10❶
			Flexible	440T-MSSSE11❶
			Flat	440T-MSSSE12❶
		Key Free to Release Actuator	Standard	440T-MSSSE20❶
			Flexible	440T-MSSSE22❶
			Flat	440T-MSSSE23❶
	Dual Key	Primary Key Trapped, Secondary Key Free to Release Actuator	Standard	440T-MDSSE10❶❷
			Flexible	440T-MDSSE11❶❷
			Flat	440T-MDSSE12❶❷
		Both Keys Free to Release Actuator	Standard	440T-MDSSE20❶❶
			Flexible	440T-MDSSE22❶❶
			Flat	440T-MDSSE23❶❶

- ❶ Substitute the desired primary code for this symbol (key not included). See page 5-6 for code selection.
- ❷ Substitute the desired secondary code for this symbol (key included). See page 5-6 for code selection.

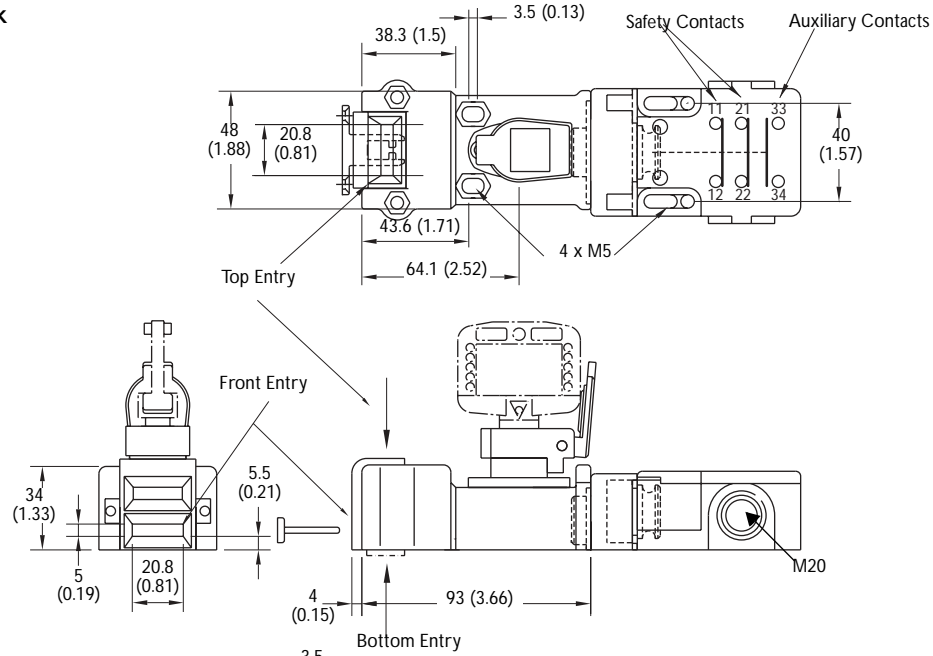
# Prosafe Trapped Key Interlock Switches

## Slamlock Electrical

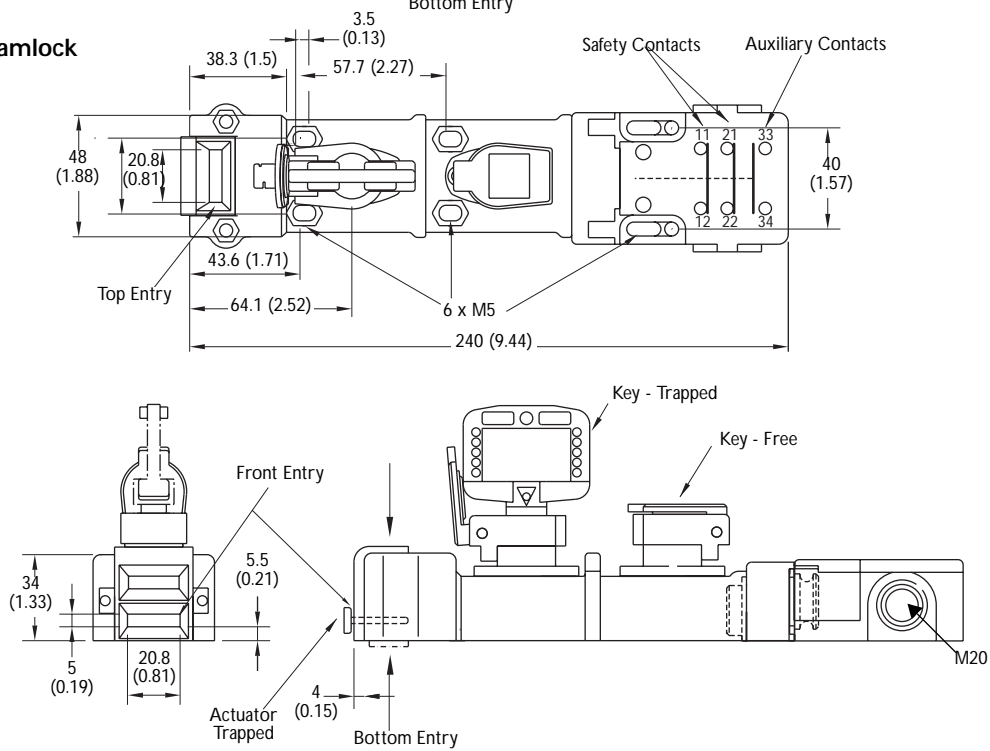
### Approximate Dimensions—mm (inches)

Dimensions are not intended to be used for installation purposes.

#### Single Key Slamlock



#### Double Key Slamlock


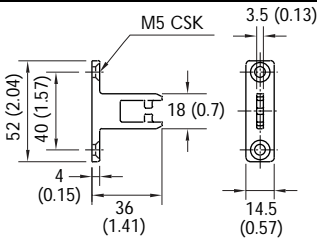

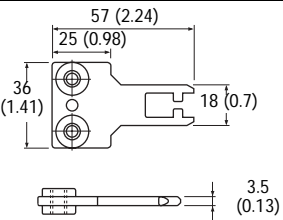

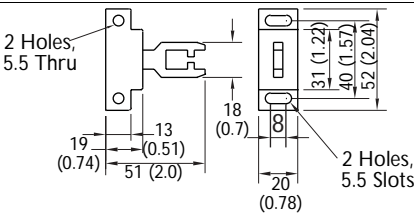


### The Prosafe Advantage



Stainless steel construction.

**Accessories**

Description		Approximate Dimensions—mm (inches)	Catalogue Number
	Replacement Standard Actuator		440G-A27011
	Replacement Flat Actuator		440K-A11112
	Replacement Flexible Actuator		440G-A27143
	Replacement Keys	See page 5-33	440T-AKEYE10⊗
	Replacement Code Barrel	See page 5-33	440T-ASCBE14Ⓢ
	Replacement Dust Cap	See page 5-33	440T-ASF10⊗

- Ⓢ Substitute the desired primary code for this symbol (key not included). See page 5-6 for code selection.
- ⊗ Substitute the desired secondary code for this symbol (key included). See page 5-6 for code selection.

**Typical Applications**

Actuator out, key trapped, safety contacts open, auxiliary contact closed.

