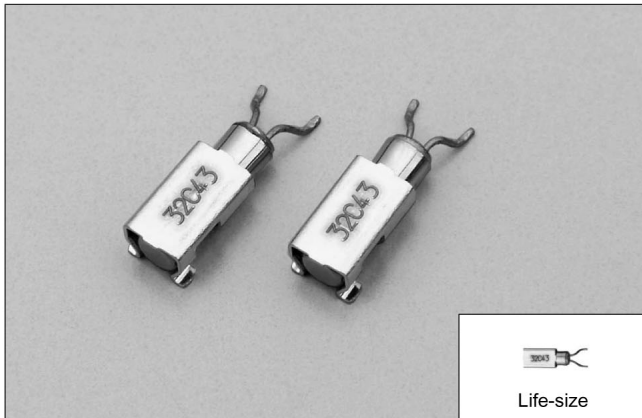


TUNING FORK CRYSTAL UNIT (SMD • Jacket Type)

RoHS Compliant Optional

CMJ206T

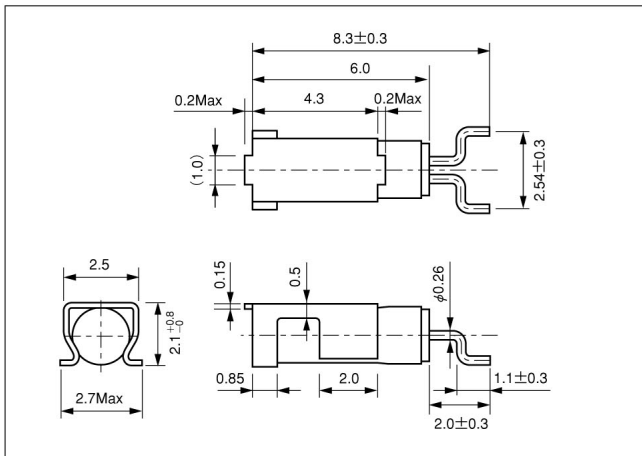
3000pcs/reel



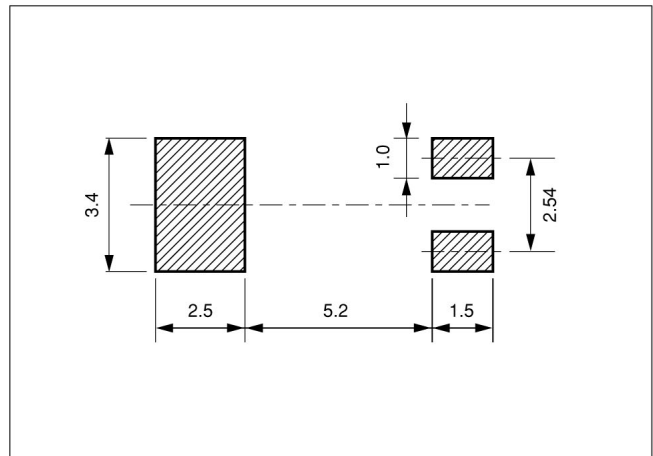
FEATURES

- High-density mounting SMD with jacket.
- Automatic mounting and reflowable Type.
- Most appropriate for clock source for portable and other various equipment with low power consumption.

DIMENSION [mm]



SOLDER PAD LAYOUT [mm]



STANDARD SPECIFICATIONS

Item	Model	CMJ206T	Conditions
Nominal Frequency	f_0	32.768kHz	
Frequency Tolerance	$\Delta f/f_0$	± 20 ppm	at 25°C
Load capacitance	C_L	12.5pF	Need to specify your requirement
Operating Temperature Range	T_{OPR}	-40°C ~ +85°C	
Storage Temperature Range	T_{STR}	-55°C ~ +125°C	
Turnover Temperature	T_M	25°C \pm 5°C	
Temperature Coefficient	β	-0.034 \pm 0.006ppm/°C ²	See figure 2 in P4
Motional (series) resistance	R_1	50K Ω Max.	at 25°C
Level of drive	DL	1 μ W Max.	
Aging (first year)	$\Delta f/f_0$	± 3 ppm Max.	25°C \pm 3°C
Quality Factor	Q	70000 Typ.	
Shunt capacitance	C_0	1.35pF Typ.	