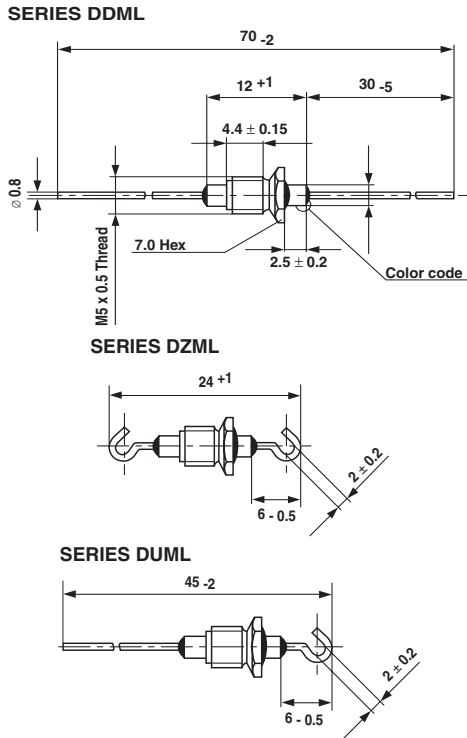


Ceramic Singlelayer Feed-Through Capacitors 400V_{DC}



* Dimensions in mm

DIRECT CURRENT I_{DC}:

10 A

MOUNTING HARDWARE:

A threaded nut (7.0 HEX) is supplied in bulk

DESIGN:

Feed-through capacitor, threaded type

RATED VOLTAGE U_R:

400 V_{DC} (175 V_{RMS})

DIELECTRIC STRENGTH BETWEEN LEADS:

550 V_{DC} 1 s

DISSIPATION FACTOR tan δ:

Ceramic Class 1: see General Information

Ceramic Class 2: $\leq 25 \cdot 10^{-3}$

INSULATION RESISTANCE R_{is}:

Ceramic Class 1: $\geq 1 \cdot 10^{10} \Omega$

Ceramic Class 2: $\geq 5 \cdot 10^9 \Omega$

CATEGORY TEMPERATURE RANGE θA:

Ceramic Class 1: (- 55 to + 125) °C

Ceramic Class 2: (- 25 to + 85) °C

CLIMATIC TESTING CLASS ACC. TO EN 60068-1:

40 / 085 / 21

PERMISSIBLE REACTIVE POWER:

5.4 VAr (Class 2), 90 VAr (Class 1)

MARKING:

Capacitance value

Ceramic dielectric color code

MAXIMUM PERMISSIBLE TORQUE:

0.6 Nm (clearance hole mounting)

0.4 Nm (threaded hole mounting)

CLASS	CERAMIC DIELECTRIC	CAPACITANCE VALUE (pF)	TOLERANCE
1B	P 100	5	± 1 pF
		10	± 20 %
	N 150	25	± 20 %
		60	± 20 %
2	N 750	120	± 20 %
	R 700	600	- 20 + 50 %
	R 2000	1200	- 20 + 50 %
	R 3000	3200	- 20 + 30 %, - 20 + 50 %

• other capacitance values are available on request

ORDERING INFORMATION

DDML 0312

400 V_{DC}

25 pF

± 20 %

N 150



Disclaimer

All product specifications and data are subject to change without notice.

Vishay Intertechnology, Inc., its affiliates, agents, and employees, and all persons acting on its or their behalf (collectively, "Vishay"), disclaim any and all liability for any errors, inaccuracies or incompleteness contained herein or in any other disclosure relating to any product.

Vishay disclaims any and all liability arising out of the use or application of any product described herein or of any information provided herein to the maximum extent permitted by law. The product specifications do not expand or otherwise modify Vishay's terms and conditions of purchase, including but not limited to the warranty expressed therein, which apply to these products.

No license, express or implied, by estoppel or otherwise, to any intellectual property rights is granted by this document or by any conduct of Vishay.

The products shown herein are not designed for use in medical, life-saving, or life-sustaining applications unless otherwise expressly indicated. Customers using or selling Vishay products not expressly indicated for use in such applications do so entirely at their own risk and agree to fully indemnify Vishay for any damages arising or resulting from such use or sale. Please contact authorized Vishay personnel to obtain written terms and conditions regarding products designed for such applications.

Product names and markings noted herein may be trademarks of their respective owners.