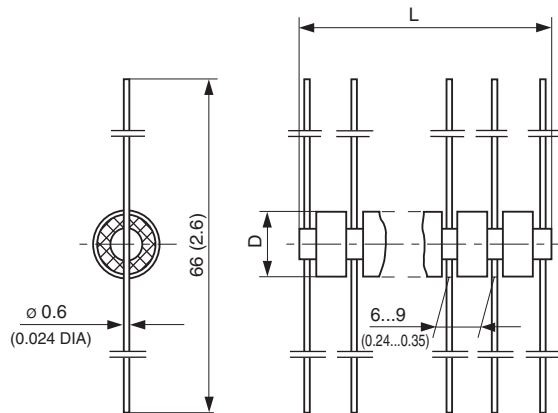


## Ceramic Capacitor Stacks


**DESIGN:**

Ceramic capacitor stacks with leads

**RATED VOLTAGE  $U_R$ :**

see table below

**DIELECTRIC STRENGTH:**

see table below (Test voltage between leads)

**DISSIPATION FACTOR  $\tan \delta$ :**
 $\leq 25 \cdot 10^{-3}$ 
**INSULATION RESISTANCE  $R_{is}$ :**
 $\geq 1 \cdot 10^{11} \Omega$  (R 2000, R 3000)

 $\geq 1 \cdot 10^{10} \Omega$  (R 2005, R 6000)

**CATEGORY TEMPERATURE RANGE 9A:**

(- 10 to + 85) °C

\* Dimensions in mm

MODEL	CAPACITANCE (pF)	TOLERANCE	RATED VOLTAGE* (KVp)	TEST VOLTAGE** (KV <sub>DC</sub> )	CERAMIC DIELECTRIC	NO. OF DISCS IN SERIES	LENGTH L (mm/inches)	Ø D (mm/inches)
GDMQ 0803	125	- 20 + 40 %	8	12	R 2000	3	22/0.86 MAX.	8.8 - 0.4/ 0.35 - 0.016
GDMQ 0806						6	40/1.58 MAX.	
GDMQ 0807						7	46/1.81 MAX.	
GDMQ 0809						9	61/2.40 MAX.	
GDMQ 0704	250	- 20 + 40 %	8	13	R 2005	4	25/1 MAX.	7.7 ± 0.2/ 0.30 ± 0.04
GDMQ 0705						5	31/1.22 MAX.	
GDMQ 0706						6	37/1.46 MAX.	
GDMQ 0709						9	56/2.2 MAX.	
GDMQ 0710						10	62/2.44 MAX.	
GDMQ 0712						12	72/2.83 MAX.	
GDMQ 0803	250	- 20 + 40 %	8	13	R 3000	3	25/1 MAX.	8.8 - 0.4/ 0.35 - 0.016
GDMQ 0804						4	29/1.14 MAX.	
GDMQ 0805						5	35/1.38 MAX.	
GDMQ 0806						6	42.5/1.67 MAX.	
GDMQ 0809						9	61/2.40 MAX.	
GDMQ 0812						12	81/3.19 MAX.	
GDMQ 1005	500	- 20 + 40 %	10	15	R 6000	5	47/1.85 MAX.	10.5 ± 0.4/ 0.41 ± 0.016

\* In an insulating environment

\*\* Min. 3 s in an insulating liquid

Other capacitance values and number of discs are available on request

**ORDERING INFORMATION**

GDMQ 0803	8 KV <sub>p</sub>	125 pF	- 20 + 40 %	R 2000
-----------	-------------------	--------	-------------	--------



## Disclaimer

All product specifications and data are subject to change without notice.

Vishay Intertechnology, Inc., its affiliates, agents, and employees, and all persons acting on its or their behalf (collectively, "Vishay"), disclaim any and all liability for any errors, inaccuracies or incompleteness contained herein or in any other disclosure relating to any product.

Vishay disclaims any and all liability arising out of the use or application of any product described herein or of any information provided herein to the maximum extent permitted by law. The product specifications do not expand or otherwise modify Vishay's terms and conditions of purchase, including but not limited to the warranty expressed therein, which apply to these products.

No license, express or implied, by estoppel or otherwise, to any intellectual property rights is granted by this document or by any conduct of Vishay.

The products shown herein are not designed for use in medical, life-saving, or life-sustaining applications unless otherwise expressly indicated. Customers using or selling Vishay products not expressly indicated for use in such applications do so entirely at their own risk and agree to fully indemnify Vishay for any damages arising or resulting from such use or sale. Please contact authorized Vishay personnel to obtain written terms and conditions regarding products designed for such applications.

Product names and markings noted herein may be trademarks of their respective owners.