

HD404374/HD404384/HD404389/ HD404082/HD404084 Series

Low-Voltage AS Microcomputers with On-Chip A/D Converter

REJ03B0050-0500H

Rev.5.00

Sep.11.2003

Description

The HD404374, HD404384, and HD404389 Series comprise low-voltage, 4-bit single-chip microcomputers equipped with four 10-bit A/D converter channels, a serial interface, and large-current I/O pins. These devices are suitable for use in applications requiring high resolution A/D converter control, such as battery chargers.

The HD404082 and HD404084 series offer less advanced features than the HD404384 series. They are 4-bit microcomputers that support low-voltage operation for backward software compatibility.

HD404374 Series microcomputers have a 32.768 kHz sub-resonator for realtime clock use, providing a time counting facility, and a variety of low-power modes to reduce current drain.

The HD407A4374, HD407A4384, HD407A4389, HD407C4374, HD407C4384, and HD407C4389 are ZTAT™ microcomputers with on-chip PROM that drastically shortens development time and ensures a smooth transition from debugging to mass production. (The PROM programming specifications are the same as for the 27256 type.)

ZTAT™: Zero Turn-Around Time. ZTAT™ is a trademark of Renesas Technology Corp.

Features

- 20 I/O pins
 - Large-current I/O pins (source: 10 mA max.):4
 - Large-current I/O pins (sink: 15 mA max.):4
 - Analog input multiplexed pins: 4 (HD404374, HD404384, and HD404389 Series)
- 8-bit timer: 1 channel
 - 16-bit timer: 1 channel (Can also be used as two 8-bit timer channels)
- Two timer outputs (including PWM output)
- Event counter inputs (edge-programmable)
- Clock-synchronous 8-bit serial interface
- A/D converter
 - 4 channels × 10-bits (HD404374 and HD404384 Series)
 - 6 channels × 10-bits (HD404389 Series)
 - None (HD404082 and HD404084 Series)

- On-chip oscillators
 - HD404374 Series
 - Main clock (ceramic resonator, crystal resonator, CR oscillation* or external clock operation possible)
 - Sub-clock (32.768 kHz crystal resonator)
 - HD404384, HD404389, HD404082, and HD404084 Series
 - Main clock (ceramic resonator, crystal resonator, CR oscillation* or external clock operation possible)

Note: * CR oscillation in an optional function.

- Interrupts
 - External: 2 (including one edge-programmable)
 - Internal : 5 (HD404374/HD404384/HD404389 Series)
: 4 (HD404082/HD404084 Series)
- Subroutine stack up to 16 levels, including interrupts
- Low-power dissipation modes
 - HD404374 Series: 4
 - HD404384, HD404389, HD404082, and HD404084 Series: 2
- Module standby (timers, serial interface, A/D converter)
- System clock division software switching (1/4 or 1/32)
- Inputs for return from stop mode (wakeup): 1
- Instruction execution time
 - Min. 0.89 μ s ($f_{osc} = 4.5$ MHz, division by 1/4)
 - Min. 0.47 μ s ($f_{osc} = 8.5$ MHz, division by 1/4)
- Operation voltage
 - 1.8 V to 5.5 V
 - 2.0 V to 5.5 V (ZTAT™)

Cautions about operation!

- Electrical properties presented on the data sheet for the mask ROM and ZTAT™ versions will surely and sufficiently satisfy the standard values. However, real capabilities, operation margin, noise margin, and other properties may vary depending on differences of manufacturing processes, internal wiring patterns, etc. Therefore, it is requested for users to carry out an evaluation test for each product on an actual system under the same conditions to see its operation.
- After power supply has been connected, the values for the memory register, data and stack areas will be undefined. Initialize prior to use.

Ordering Information

HD404374 Series

Type	Product Name	Model Name	ROM (Words)	RAM (Digits)	Package
Mask ROM	HD404372	HD404372FT	2,048	512	30-pin plastic SSOP(FP-30D)
		HD404372H			48-pin plastic LQFP(FP-48B) ^{*1}
	HD40A4372	HD40A4372FT			30-pin plastic SSOP(FP-30D)
		HD40A4372H			48-pin plastic LQFP(FP-48B) ^{*1}
	HD40C4372	HD40C4372FT			30-pin plastic SSOP(FP-30D)
		HD40C4372H			48-pin plastic LQFP(FP-48B) ^{*1}
	HD404374	HD404374FT	4,096		30-pin plastic SSOP(FP-30D)
		HD404374H			48-pin plastic LQFP(FP-48B) ^{*1}
	HD40A4374	HD40A4374FT			30-pin plastic SSOP(FP-30D)
		HD40A4374H			48-pin plastic LQFP(FP-48B) ^{*1}
	HD40C4374	HD40C4374FT			30-pin plastic SSOP(FP-30D)
		HD40C4374H			48-pin plastic LQFP(FP-48B) ^{*1}
ZTAT™	HD407A4374	HD407A4374FT	4,096		30-pin plastic SSOP (FP-30D)
	HD407C4374	HD407C4374FT			30-pin plastic SSOP(FP-30D)

HD404374/HD404384/HD404389/HD404082/HD404084 Series

HD404384 Series

Type	Product Name	Model Name	ROM (Words)	RAM (Digits)	Package	
Mask ROM	HD404382	HD404382FT	2,048	512	30-pin plastic SSOP (FP-30D)	
		HD404382S			28-pin plastic DILP (DP-28S)	
		HD404382H			48-pin plastic LQFP (FP-48B) ^{**1}	
	HD40A4382	HD40A4382FT			30-pin plastic SSOP (FP-30D)	
		HD40A4382S			28-pin plastic DILP (DP-28S)	
		HD40A4382H			48-pin plastic LQFP (FP-48B) ^{**1}	
	HD40C4382	HD40C4382FT			30-pin plastic SSOP (FP-30D)	
		HD40C4382S			28-pin plastic DILP (DP-28S)	
		HD40C4382H			48-pin plastic LQFP (FP-48B) ^{**1}	
	HD404384	HD404384FT			4,096	30-pin plastic SSOP (FP-30D)
		HD404384S				28-pin plastic DILP (DP-28S)
		HD404384H				48-pin plastic LQFP (FP-48B) ^{**1}
	HD40A4384	HD40A4384FT			30-pin plastic SSOP (FP-30D)	
		HD40A4384S			28-pin plastic DILP (DP-28S)	
		HD40A4384H			48-pin plastic LQFP (FP-48B) ^{**1}	
	HD40C4384	HD40C4384FT			30-pin plastic SSOP (FP-30D)	
		HD40C4384S			28-pin plastic DILP (DP-28S)	
		HD40C4384H			48-pin plastic LQFP (FP-48B) ^{**1}	
ZTAT™	HD407A4384	HD407A4384FT	4,096	30-pin plastic SSOP (FP-30D)		
		HD407A4384S		28-pin plastic DILP (DP-28S)		
	HD407C4384	HD407C4384FT		30-pin plastic SSOP (FP-30D)		
		HD407C4384S		28-pin plastic DILP (DP-28S)		

HD404374/HD404384/HD404389/HD404082/HD404084 Series

HD404389 Series

Type	Product Name	Model Name	ROM (Words)	RAM (Digits)	Package
Mask ROM	HD404388	HD404388FT	8,192	512	30-pin plastic SSOP (FP-30D)
	HD40A4388	HD40A4388FT			
	HD40C4388	HD40C4388FT			
	HD404389	HD404389FT	16,384		
	HD40A4389	HD40A4389FT			
	HD40C4389	HD40C4389FT			
ZTAT™	HD407A4389	HD407A4389FT	16,384		
	HD407C4389	HD407C4389FT			

EOL Product

HD404374/HD404384/HD404389/HD404082/HD404084 Series

HD404082 Series

Type	Product Name	Model Name	ROM (Words)	RAM (Digits)	Package	
Mask ROM	HD404081	HD404081FT	1,024	128	30-pin plastic SSOP (FP-30D)	
		HD404081S			28-pin plastic DILP (DP-28S)	
		HD404081H			48-pin plastic LQFP (FP-48B) ^{*2}	
	HD40A4081	HD40A4081FT			30-pin plastic SSOP (FP-30D)	
		HD40A4081S			28-pin plastic DILP (DP-28S)	
		HD40A4081H			48-pin plastic LQFP (FP-48B) ^{*2}	
	HD40C4081	HD40C4081FT			30-pin plastic SSOP (FP-30D)	
		HD40C4081S			28-pin plastic DILP (DP-28S)	
		HD40C4081H			48-pin plastic LQFP (FP-48B) ^{*2}	
	HD404082	HD404082FT			2,048	30-pin plastic SSOP (FP-30D)
		HD404082S				28-pin plastic DILP (DP-28S)
		HD404082H				48-pin plastic LQFP (FP-48B) ^{*2}
	HCD404082	HCD404082				chip
	HD40A4082	HD40A4082FT			30-pin plastic SSOP (FP-30D)	
		HD40A4082S			28-pin plastic DILP (DP-28S)	
		HD40A4082H			48-pin plastic LQFP (FP-48B) ^{*2}	
	HD40C4082	HD40C4082FT			30-pin plastic SSOP (FP-30D)	
		HD40C4082S			28-pin plastic DILP (DP-28S)	
		HD40C4082H			48-pin plastic LQFP (FP-48B) ^{*2}	
	HCD40C4082	HCD40C4082				chip
	ZTAT™	Uses HD404384 series ZTAT™.				

Notes: 1. The FP-48B is subject to the following limitations:

- (1) It is available in a mask ROM version only. For debugging, etc., the ZTAT™ version of a different package will need to be used.
 - (2) The WS version will become available at the beginning of mass production.
2. Currently in planning stage.

HD404374/HD404384/HD404389/HD404082/HD404084 Series

HD404084 Series

Type	Product Name	Model Name	ROM (Words)	RAM (Digits)	Package		
Mask ROM	HD404084	HD404084FT	4,096	256	30-pin plastic SSOP (FP-30D)		
		HD404084S			28-pin plastic DILP (DP-28S)		
	HCD404084	HCD404084			chip		
	HD40A4084	HD40A4084FT			30-pin plastic SSOP (FP-30D)		
		HD40A4084S			28-pin plastic DILP (DP-28S)		
	HD40C4084	HD40C4084FT			30-pin plastic SSOP (FP-30D)		
		HD40C4084S			28-pin plastic DILP (DP-28S)		
	HCD40C4084	HCD40C4084			chip		
	ZTAT™	Uses HD404384 series ZTAT™					

List of Functions

Product Name	HD404374, HD40A4374, HD40C4374		HD404382, HD40A4382, HD40C4382		HD404384, HD40A4384, HD40C4384		HD404388, HD40A4388, HD40C4388	
	HD404372, HD40A4372, HD40C4372	HD404374, HD407A4374, HD407C4374	HD404382, HD40A4382, HD40C4382	HD404382, HD40A4382, HD40C4382	HD404384, HD40A4384, HD40C4384	HD404384, HD40A4384, HD40C4384	HD404388, HD40A4388, HD40C4388	HD404388, HD40A4388, HD40C4388
ROM(words)	2,048	4,096 ZTAT PROM	2,048	4,096 ZTAT PROM	8,192			
RAM (digit)	512							
I/O	20 (max)							
	Large-current I/O pins	4 (source, 10 mA max), 4 (sink, 15 mA max)						
	Analog input multiplexed pins	4						
Timer/counter		3						
	Timer output	2 (PWM output possible)						
	Event input	1 (edge selection possible)						
Serial interface	1 (8-bit synchronous)							
A/D converter	10 bits × 4 channels						10 bits × 6 channels	
Interrupt sources	External	2						
	Internal	5						
Low-power modes		4		2				
	Stop mode	Available						
	Watch mode	Available						
	Standby mode	Available						
	Subactive mode	Available						
Module standby	Available							
System clock division software switching	Available							
Main oscillator	Ceramic oscillation	Available						
	Crystal oscillation	Available						
	CR oscillation	Available (HD40C4372, HD40C4374, HD407C4374, HD40C4382, HD40C4384, HD407C4384, HD40C4388, HD40C4389, HD407C4389, HD40C4081, HD40C4082, HCD40C4082, HD40C4084, HCD40C4084)						
Sub-oscillator	Crystal oscillation	Available (32.768kHz)		—				

HD404374/HD404384/HD404389/HD404082/HD404084 Series

Product Name	HD404372,	HD404374, HD40A4374,	HD40C4374,	HD404382,	HD40A4382,	HD404384, HD40A4384,	HD40C4384,	HD404388, HD40A4388,	HD40C4388	
	Minimum instruction execution time	0.47 ms ($f_{osc} = 8.5$ MHz) : HD40A4372, HD40A4374, HD407A4374, HD40A4382, HD40A4384, HD407A4384, HD40A4388, HD40A4389, HD407A4389, HD40A4081, HD40A4082, HD40A4084 0.89 ms ($f_{osc} = 4.5$ MHz) : HD404372, HD404374, HD404382, HD404384, HD404388, HD404389, HD404081, HD404082, HCD404082, HD404084, HCD404084 1.14 ms ($f_{osc} = 3.5$ MHz) : HD40C4372, HD40C4374, HD407C4374, HD40C4382, HD40C4384, HD407C4384, HD40C4388, HD40C4389, HD407C4389, HD40C4081, HD40C4082, HCD40C4082, HD40C4084, HCD40C4084								
Operating voltage (V)	1.8 to 5.5 V : Mask ROM, 2.0 to 5.5 V : ZTAT™									
Package	FP-30D	Available								
	DP-28S	—			Available			—		
	FP-48B	Available								
Chip	—									
Guaranteed operation temperature(°C)	-20 to +75: Mask ROM -40 to +85: ZTAT™									

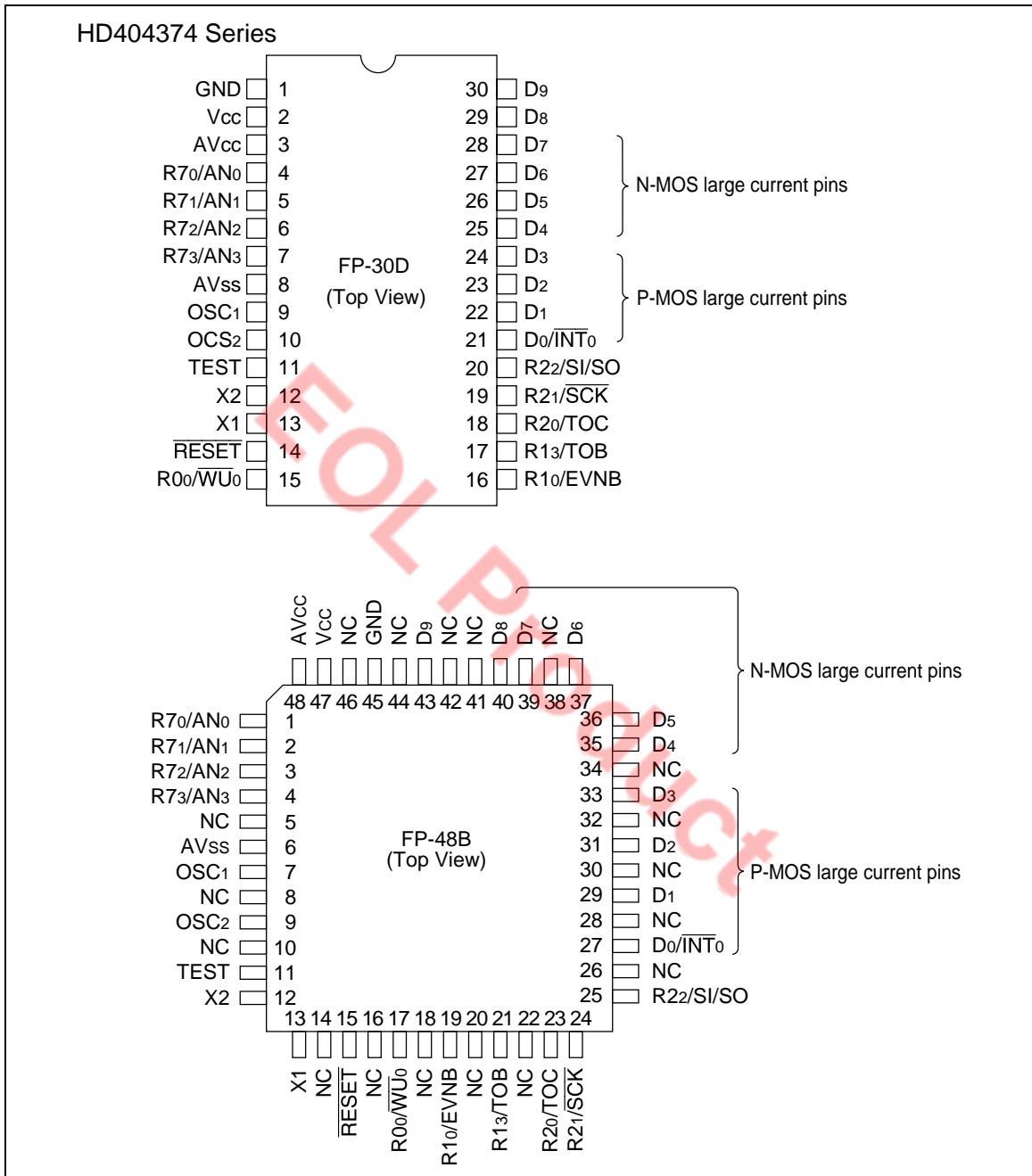
HD404374/HD404384/HD404389/HD404082/HD404084 Series

Product Name	HD404389, HD40A4389, HD40C4389, HD404081, HD404082, HD404084, HD407A4389, HD40A4081, HD40A4082, HCD404082, HD40A4084, HCD404084, HD407C4389 HD40C4081 HD40C4082 HCD40C4082 HD40C4084 HCD40C4084						
ROM(words)	16,384	1,024	2,048		4,096		
	ZTAT PROM						
RAM (digit)	512	128					
I/O	20 (max)						
	Large-current I/O pins	4 (source, 10 mA max), 4 (sink, 15 mA max)					
	Analog input multiplexed pins	4	—				
Timer/counter		3					
	Timer output	2 (PWM output possible)					
	Event input	1 (edge selection possible)					
Serial interface	1 (8-bit synchronous)						
A/D converter	10 bits × 6 channels						
Interrupt sources	External	2					
	Internal	5	4				
Low-power modes		4					
	Stop mode	Available					
	Watch mode	Available					
	Standby mode	Available					
	Subactive mode	Available					
Module standby	Available						
System clock division software switching	Available						
Main oscillator	Ceramic oscillation	Available					
	Crystal oscillation	Available					
	CR oscillation	Available (HD40C4372, HD40C4374, HD407C4374, HD40C4382, HD40C4384, HD407C4384, HD40C4388, HD40C4389, HD407C4389, HD40C4081, HD40C4082, HCD40C4082, HD40C4084, HCD40C4084)					
Sub-oscillator	Crystal oscillation	—					

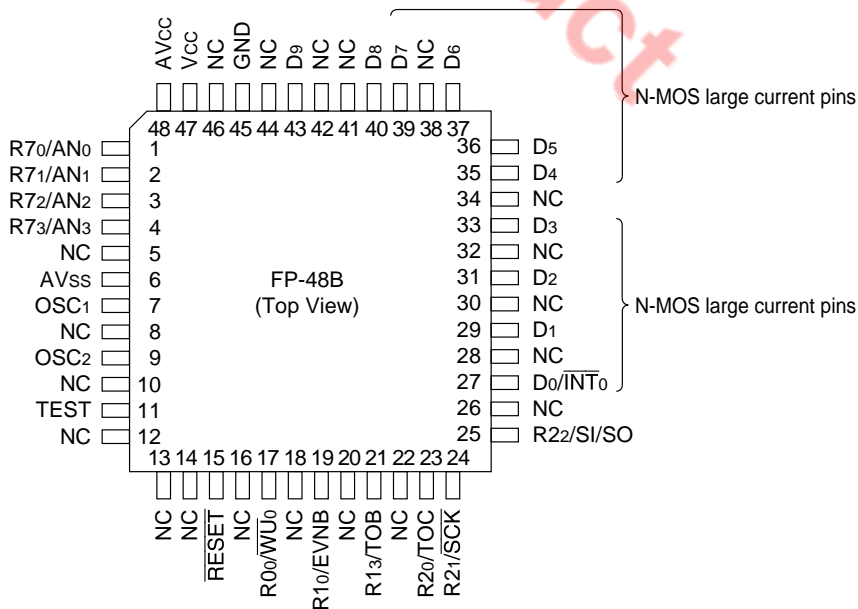
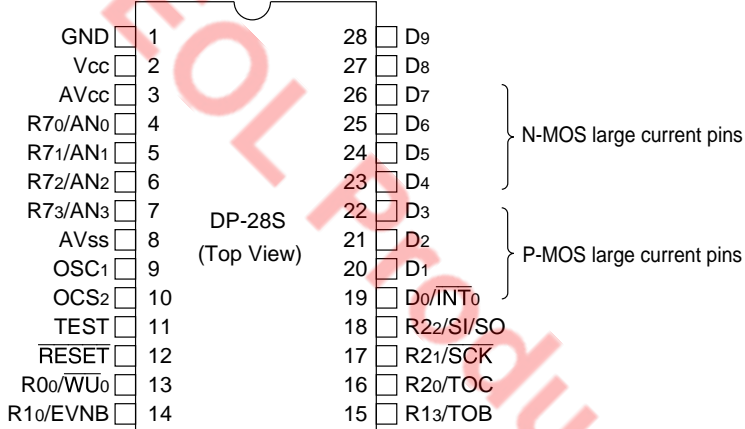
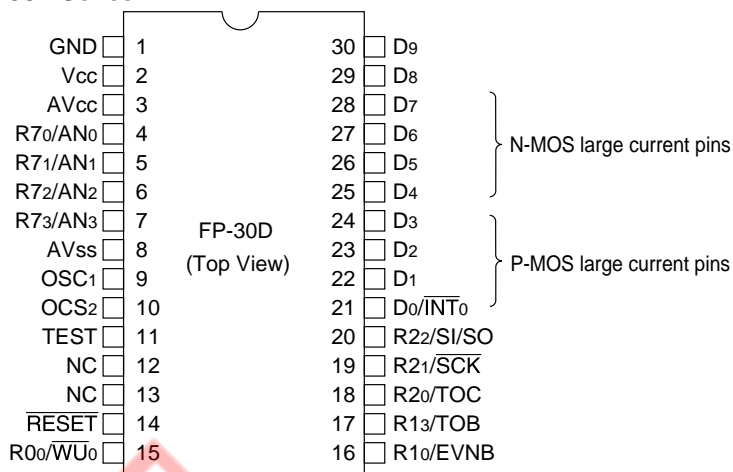
HD404374/HD404384/HD404389/HD404082/HD404084 Series

Product Name		HD404389, HD40A4389, HD40C4389, HD404081, HD407A4389, HD40A4081, HD407C4389	HD404082, HD40A4082, HD40C4082	HCD40482, HCD40C4082	HD404084, HD40A4084, HCD404084, HCD40C4084	
Minimum instruction execution time		0.47 μ s ($f_{osc} = 8.5$ MHz) : HD40A4372, HD40A4374, HD407A4374, HD40A4382, HD40A4384, HD407A4384, HD40A4388, HD40A4389, HD407A4389, HD40A4081, HD40A4082, HD40A4084				
		0.89 μ s ($f_{osc} = 4.5$ MHz) : HD404372, HD404374, HD404382, HD404384, HD404388, HD404389, HD404081, HD404082, HCD404082, HD404084, HCD404084				
		1.14 μ s ($f_{osc} = 3.5$ MHz) : HD40C4372, HD40C4374, HD407C4374, HD40C4382, HD40C4384, HD407C4384, HD40C4388, HD40C4389, HD407C4389, HD40C4081, HD40C4082, HCD40C4082, HD40C4084, HCD40C4084				
Operating voltage (V)		1.8 to 5.5 V : Mask ROM, 2.0 to 5.5 V : ZTAT™				
Package	FP-30D	Available				
	DP-28S	—	Available	—	Available	—
	FP-48B	—	In planning stage	—		
Chip	—		Available	—	Available	
Guaranteed operation temperature(°C)		-20 to +75:		+75	-20 to +75: +75	
		Mask ROM			Mask ROM	
		-40 to +85:			-40 to +85:	
		ZTAT™			ZTAT™	

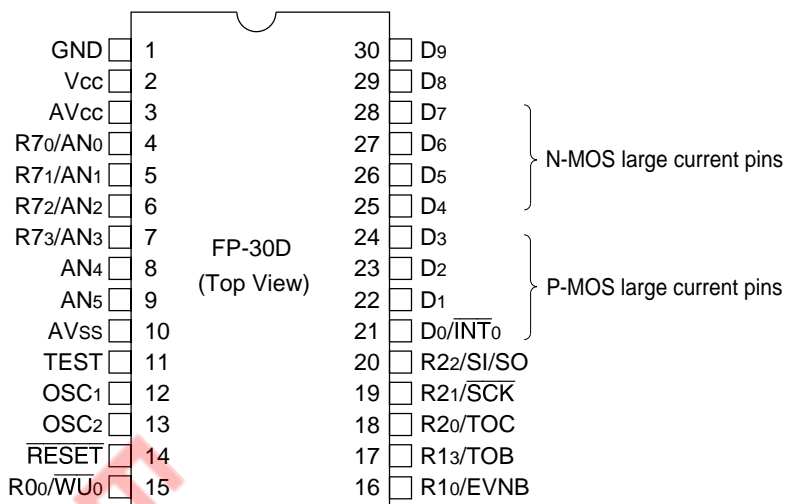
Pin Arrangement



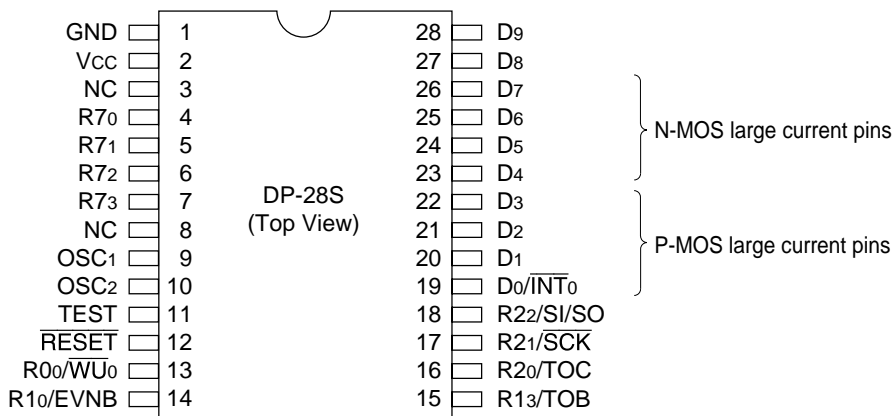
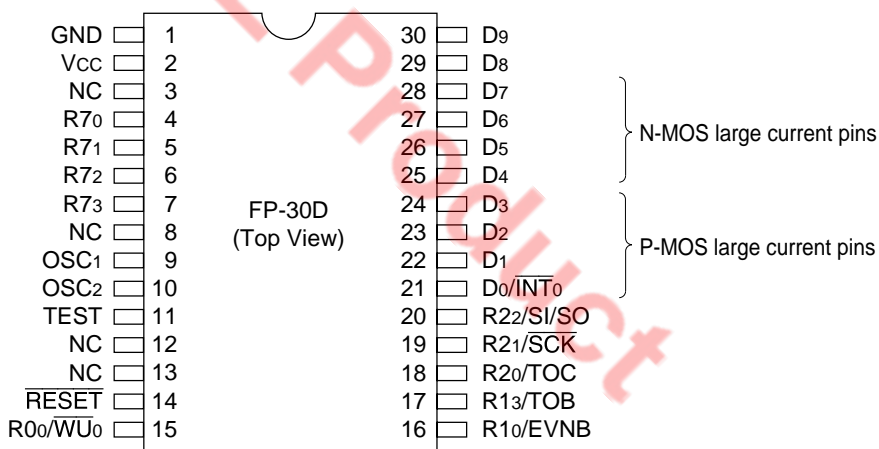
HD404384 Series



HD404389 Series

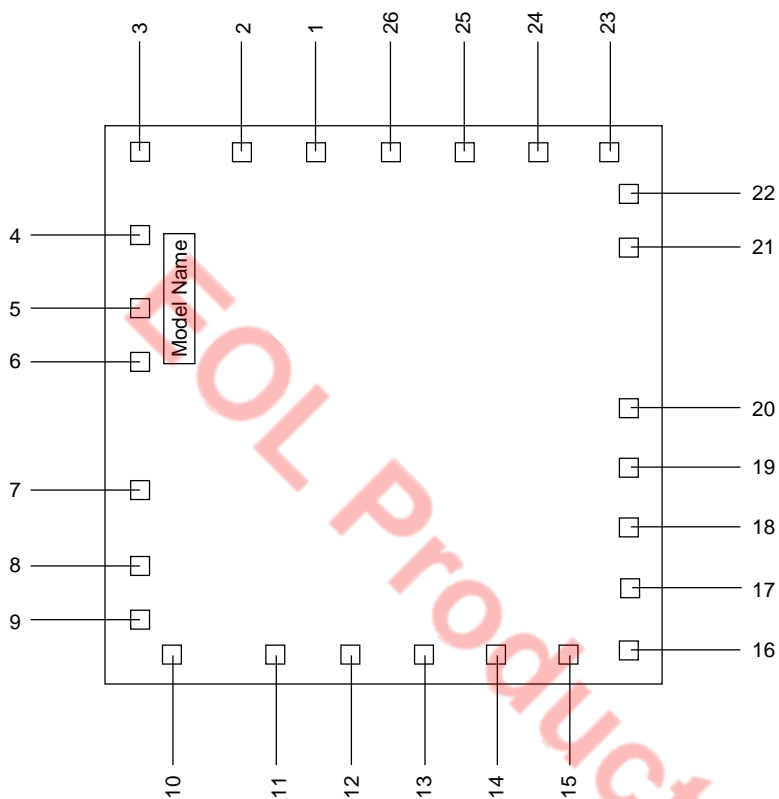


HD404082 and HD404084 Series



Pad Arrangement

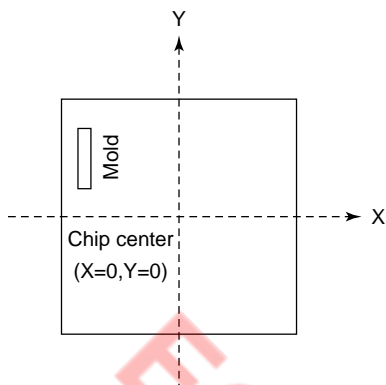
HCD404082 and HCD404084



Model Name: HD404082 (HCD404082)
HD404084 (HCD404084)

Pad Coordinates

HCD404082 and HCD404084



Chip size (X × Y): 4.63 × 4.77 (mm)

Coordinates: Pad center

Home point position: Chip center

Pad size (X × Y): 90 × 90 (μm)

Chip thickness: 280 (μm)

Pad No.	Pad name	Coordinates		Pad No.	Pad name	Coordinates	
		X (μm)	Y (μm)			X (μm)	Y (μm)
1	GND	-458	1403	14	R2 ₀	572	-1403
2	V _{cc}	-826	1403	15	R2 ₁	982	-1403
3	R7 ₀	-1338	1403	16	R2 ₂	1338	-1403
4	R7 ₁	-1338	1006	17	D ₀	1338	-1020
5	R7 ₂	-1338	525	18	D ₁	1338	-637
6	R7 ₃	-1338	285	19	D ₂	1338	-254
7	OSC1	-1338	-550	20	D ₃	1338	129
8	OSC2	-1338	-954	21	D ₄	1338	768
9	TEST	-1338	-1251	22	D ₅	1338	1170
10	RESETN	-1197	-1403	23	D ₆	1153	1403
11	R0 ₀	-577	-1403	24	D ₇	751	1403
12	R1 ₀	-194	-1403	25	D ₈	349	1403
13	R1 ₃	189	-1403	26	D ₉	-53	1403

Pin Description

HD404374 and HD404384 Series

Item	Symbol	Pin Number			I/O	Function
		FP-30D	DP-28S ^{*2}	DP-48B		
Power supply	V _{CC}	2	2	47	—	Apply the power supply voltage to this pin.
	GND	1	1	45	—	Connect to ground.
Test	TEST	11	11	11	Input	Not for use by the user application. Connect to GND potential.
Reset	RESET	14	12	15	Input	Used to reset the MCU.
Oscillation	OSC ₁	9	9	7	Input	Internal oscillator input/output pins. Connect a ceramic resonator, crystal resonator, or external oscillator circuit.
	OSC ₂	10	10	9	Output	When using CR oscillation, connect a resistor.
	X1	13 ^{*1}	—	13 ^{*1}	Input	Realtime clock oscillator input/output pins. Connect a 32.768 kHz crystal. If 32.768 kHz crystal oscillation is not used, fix the
	X2	12 ^{*1}	—	12 ^{*1}	Output	X1 pin to V _{CC} and leave the X2 pin open.
Port	D ₀ –D ₉	21–30	19–28	27, 29, 31, 33, 35–37, 39, 40, 43	I/O	I/O pins addressed bit by bit. D ₀ to D ₃ are large-current source pins (max. 10 mA), and D ₄ to D ₉ are large-current sink pins (max. 15 mA).
	R0 ₀ , R1 ₀ , R1 ₃ , R2 ₀ , R2 ₁ , R2 ₂ , R7 ₀ –R7 ₃	15–20, 4–7	13–18, 4–7	17, 19, 21, 23–25, 1–4	I/O	I/O pins, addressed in 4-bit units.
Interrupt	INT ₀	21	19	27	Input	External interrupt input pin
Wakeup	WU ₀	15	13	17	Input	Input pin used for transition from stop mode to active mode.
Serial interface	SCK	19	17	24	I/O	Serial interface clock I/O pin
	SI	20	18	25	Input	Serial interface receive data input pin
	SO	20	18	25	Output	Serial interface transmit data output pin
Timer	TOB, TOC	17, 18	15, 16	21, 23	Output	Timer output pins
	EVNB	16	14	19	Input	Event count input pin
A/D converter	AV _{CC}	3	3	48	—	A/D converter power supply pin. Connect as close as possible to the V _{CC} pin so as to be at the same potential as V _{CC} .
	AV _{SS}	8	8	6	—	Ground pin for AV _{CC} . Connect as close as possible to the GND pin so as to be at the same potential as GND.
	AN ₀ –AN ₃	4–7	4–7	1–4	Input	A/D converter analog input pins
Other	NC	12 ^{*2} , 13 ^{*2}	—	5, 8, 10, 12 ^{*2} , 13 ^{*2} , 14, 16, 18, 20, 22, 26, 28, 30, 32, 34, 38, 41, 42, 44, 46	—	Connect to GND potential.

Notes: *1 Applies to HD404374 Series.

*2 Applies to HD404384 Series.

HD404374/HD404384/HD404389/HD404082/HD404084 Series

HD404389 Series

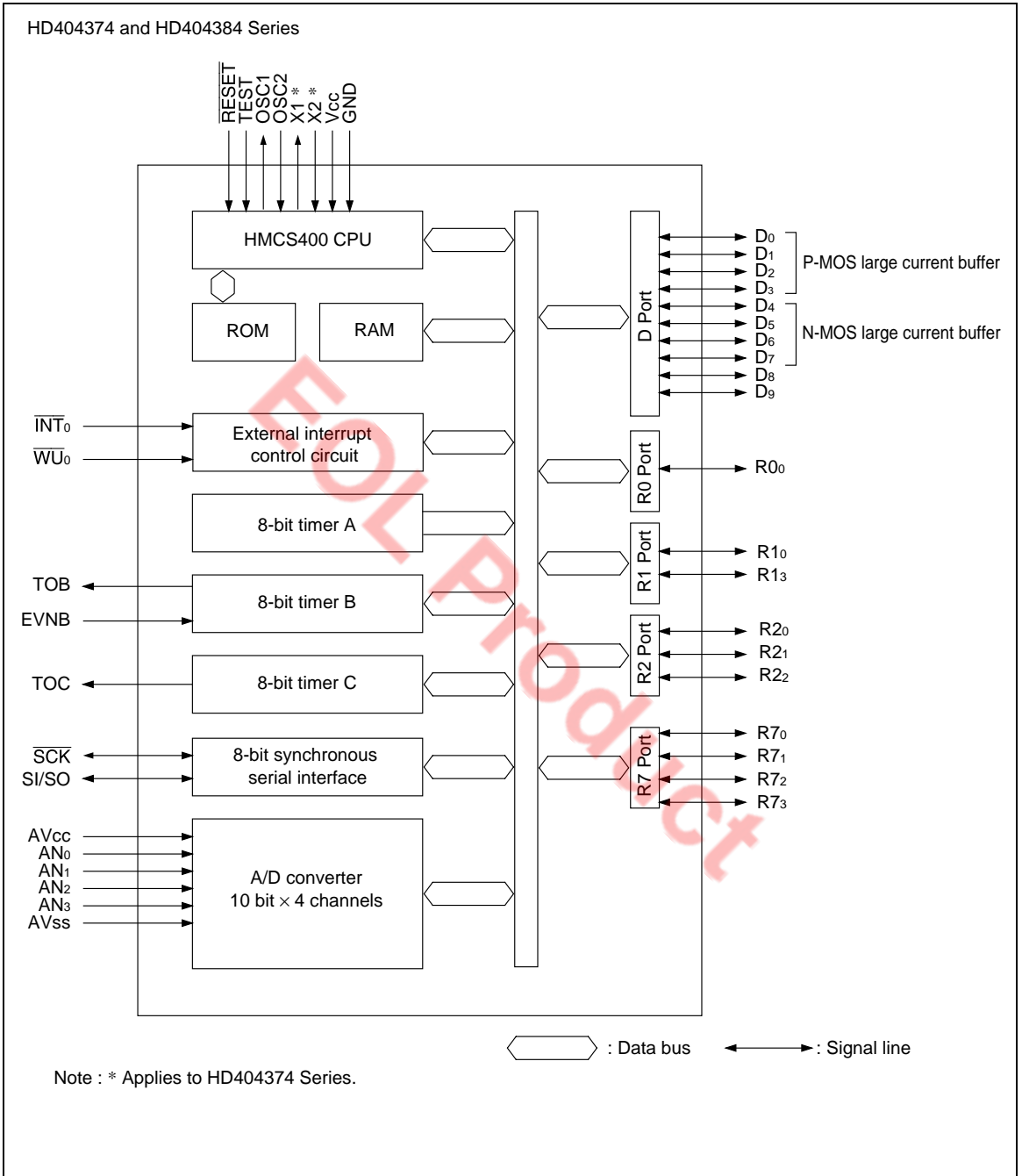
Item	Symbol	Pin Number		Function
		FP-30D	I/O	
Power supply	V_{CC}	2	—	Apply the power supply voltage to this pin.
	GND	1	—	Connect to ground.
Test	TEST	11	Input	Not for use by the user application. Connect to GND potential.
Reset	$\overline{\text{RESET}}$	14	Input	Used to reset the MCU.
Oscillation	OSC_1	12	Input	Internal oscillator input/output pins. Connect a ceramic resonator, crystal resonator, or external oscillator circuit.
	OSC_2	13	Output	When using CR oscillation, connect a resistor.
Port	$D_0\text{--}D_9$	21–30	I/O	I/O pins addressed bit by bit. D_0 to D_3 are large-current source pins (max. 10 mA), and D_4 to D_9 are large-current sink pins (max. 15 mA).
	$R0_0, R1_0, R1_3,$ $R2_0, R2_1, R2_2,$ $R7_0\text{--}R7_3$	15–20, 4–7	I/O	I/O pins, addressed in 4-bit units.
Interrupt	$\overline{\text{INT}}_0$	21	Input	External interrupt input pin
Wakeup	$\overline{\text{WU}}_0$	15	Input	Input pin used for transition from stop mode to active mode.
Serial interface	SCK	19	I/O	Serial interface clock I/O pin
	SI	20	Input	Serial interface receive data input pin
	SO	20	Output	Serial interface transmit data output pin
Timer	TOB, TOC	17, 18	Output	Timer output pins
	EVNB	16	Input	Event count input pin
A/D converter	AV_{CC}	3	—	A/D converter power supply pin. Connect as close as possible to the V_{CC} pin so as to be at the same potential as V_{CC} .
	AV_{SS}	10	—	Ground pin for AV_{CC} . Connect as close as possible to the GND pin so as to be at the same potential as GND.
	$AN_0\text{--}AN_5$	4–9	Input	A/D converter analog input pins

HD404374/HD404384/HD404389/HD404082/HD404084 Series

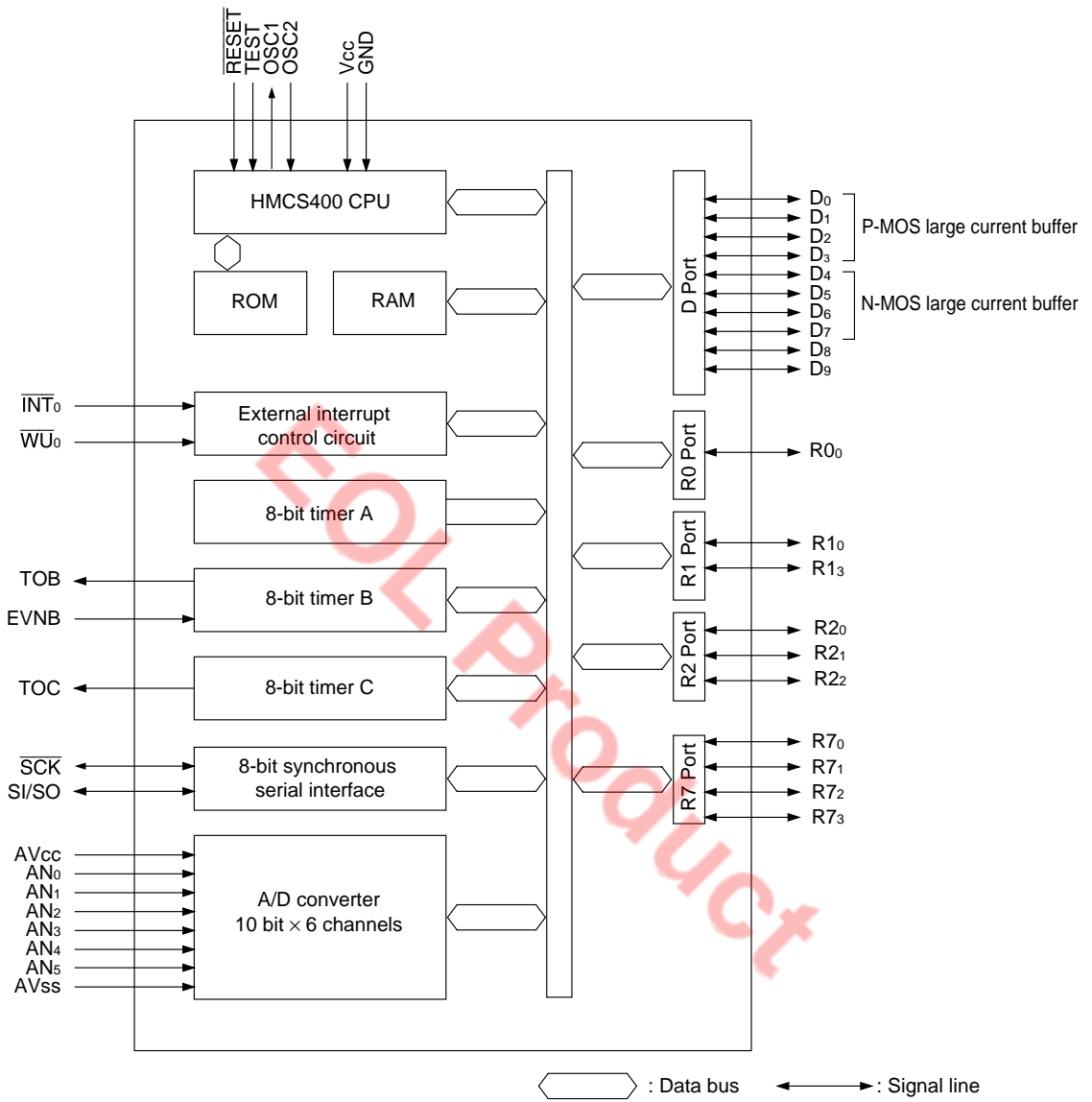
HD404082 and HD404084 Series

Item	Symbol	Pin Number			I/O	Function
		FP-30D	DP-28S	Chip		
Power supply	V _{cc}	2	2	2	—	Apply the power supply voltage to this pin.
	GND	1	1	1	—	Connect to ground.
Test	TEST	11	11	9	Input	Not for use by the user application. Connect to GND potential.
Reset	$\overline{\text{RESET}}$	14	12	10	Input	Used to reset the MCU.
Oscillation	OSC ₁	9	9	7	Input	Internal oscillator input/output pins. Connect a ceramic resonator, crystal resonator, or external oscillator circuit.
	OSC ₂	10	10	8	Output	When using CR oscillation, connect a resistor.
Port	D ₀ –D ₉	21–30	19–28	17–26	I/O	I/O pins addressed bit by bit. D ₀ to D ₃ are large-current source pins (max. 10 mA), and D ₄ to D ₉ are large-current sink pins (max. 15 mA).
	R ₀ , R ₁ , R ₁₃ , R ₂ , R ₂₁ , R ₂₂ , R ₇ –R ₇₃	15–20, 4–7	13–18, 4–7	11–16, 3–6	I/O	I/O pins, addressed in 4-bit units.
Interrupt	$\overline{\text{INT}}_0$	21	19	17	Input	External interrupt input pin
Wakeup	WU ₀	15	13	11	Input	Input pin used for transition from stop mode to active mode.
Serial interface	SCK	19	17	15	I/O	Serial interface clock I/O pin
	SI	20	18	16	Input	Serial interface receive data input pin
	SO	20	18	16	Output	Serial interface transmit data output pin
Timer	TOB, TOC	17, 18	15, 16	13, 14	Output	Timer output pins
	EVNB	16	14	12	Input	Event count input pin
Other	NC	3, 8, 12, 13	3, 8	—	—	Connect to GND potential.

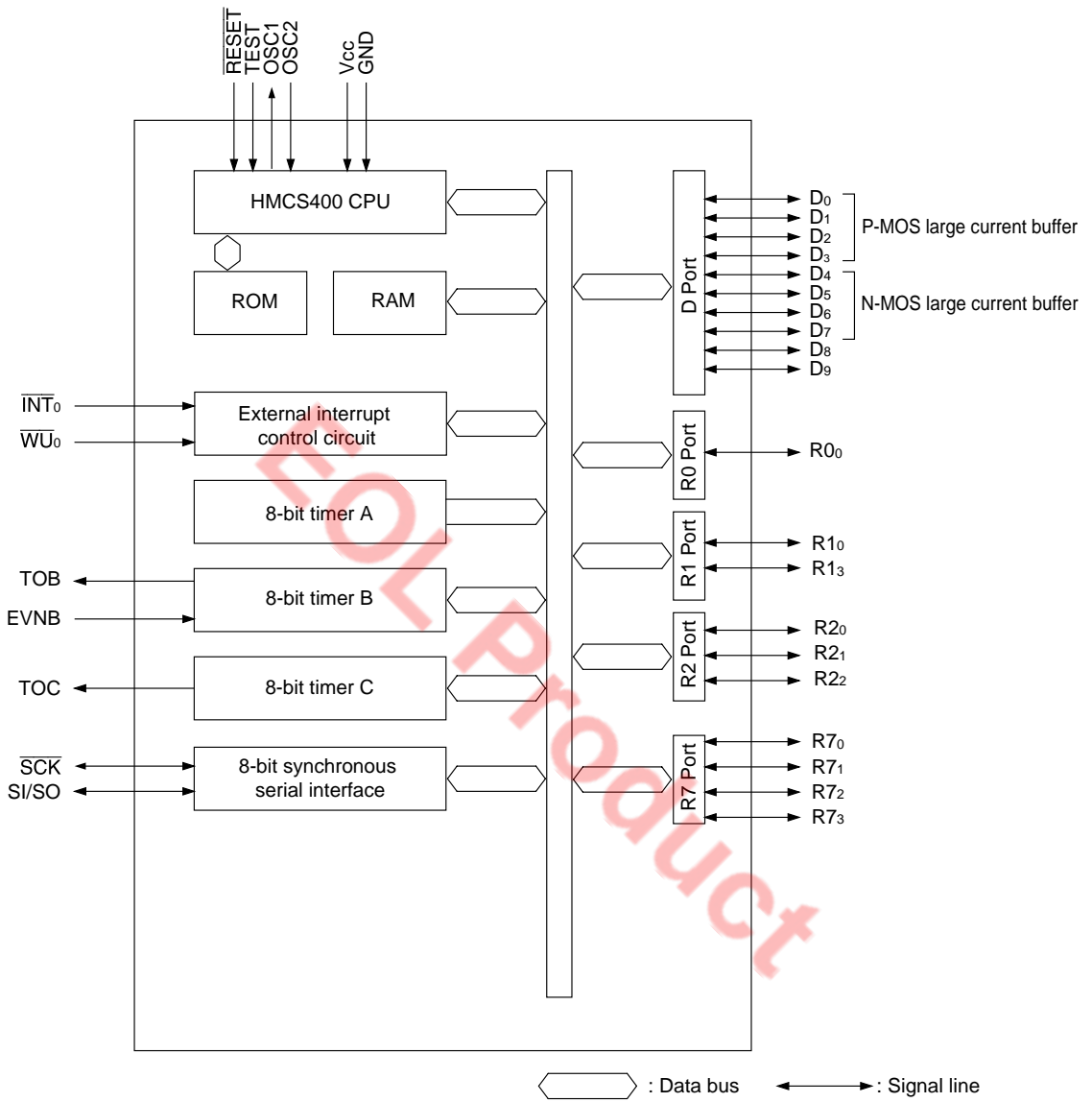
Block Diagram



HD404389 Series



HD404082 and HD404084 Series



Memory Map

ROM Memory Map

The ROM memory map is shown in figure 1 and is described below.

Vector address area (\$0000 to \$000F): When an MCU reset or interrupt handling is performed, the program is executed from the vector address. A JMPL instruction should be used to branch to the start address of the reset routine or the interrupt routine.

Zero page subroutine area (\$0000 to \$003F): A branch can be made to a subroutine in the area \$0000 to \$003F with the CAL instruction.

Pattern area (\$0000 to \$0FFF): ROM data in the area \$0000 to \$0FFF can be referenced as pattern data with the P instruction.

Program area (\$0000 to \$03FF (HD404081, HD40A4081, HD40C4081)), (\$0000 to \$07FF (HD404372, HD40A4372, HD40C4372, HD404382, HD40A4382, HD40C4382, HD404082, HCD404082, HD40A4082, HD40C4082, HCD40C4082)), (\$0000 to \$0FFF (HD404374, HD40A4374, HD40C4374, HD404384, HD40A4384, HD40C4384, HD407A4374, HD407C4374, HD407A4384, HD407C4384, HD404084, HCD404084, HD40A4084, HD40C4084, HCD40C4084)), (\$0000 to \$1FFF (HD404388, HD40A4388, HD40C4388)), (\$0000 to \$3FFF (HD404389, HD40A4389, HD40C4389, HD407A4389, HD407C4389)).

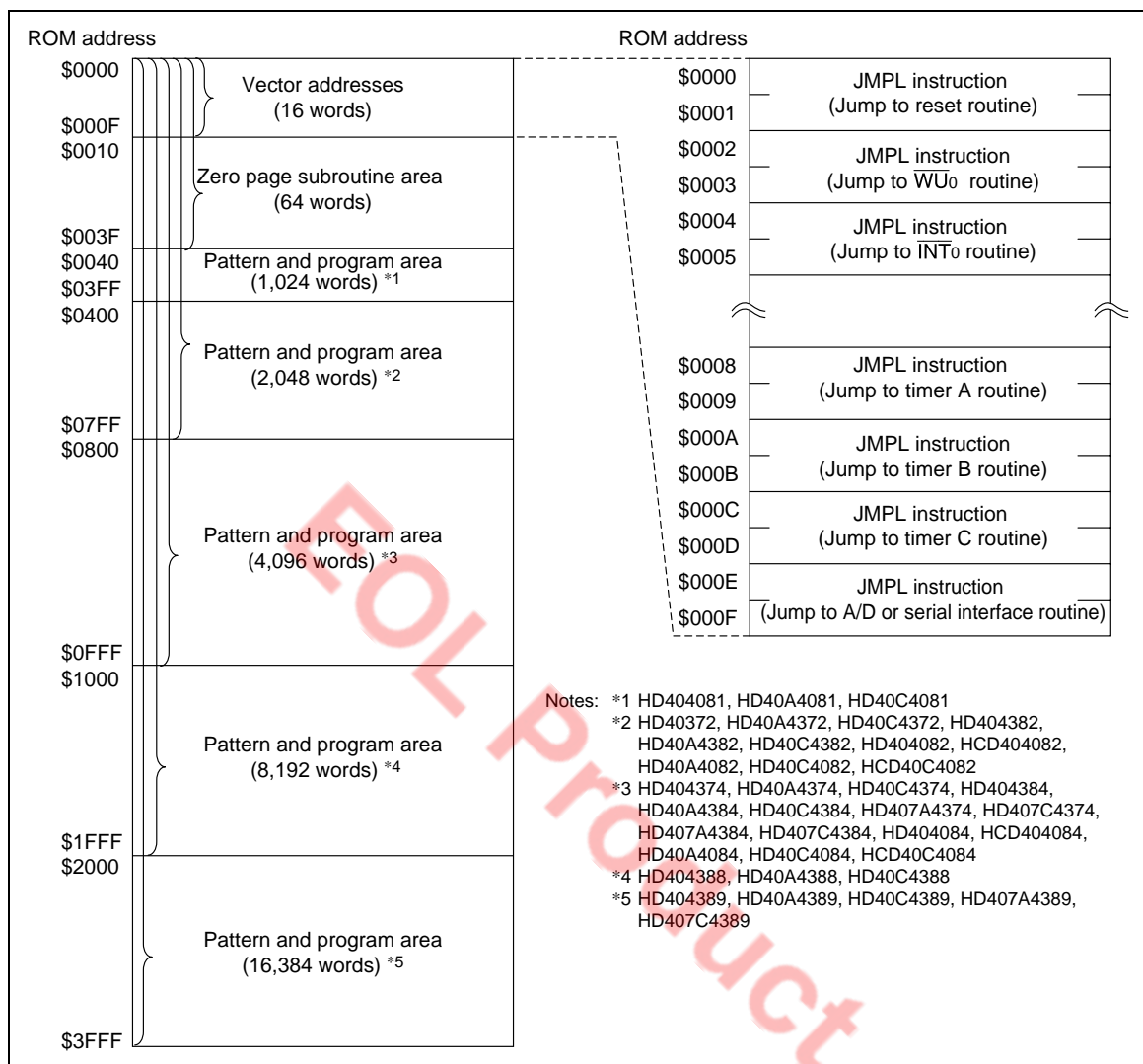


Figure 1 ROM Memory Map

RAM Memory Map

The MCU has on-chip RAM comprising a memory register area, data area, and stack area. In addition to these areas, an interrupt control bit area, special register area, and register flag area are mapped onto RAM memory space as a RAM-mapped register area. The RAM memory map is shown in figure 2 and described below.

After power supply has been connected, regardless of a reset, the values for the memory register, data and stack areas will be undefined. Make sure to initialize prior to use.

HD404374/HD404384/HD404389/HD404082/HD404084 Series

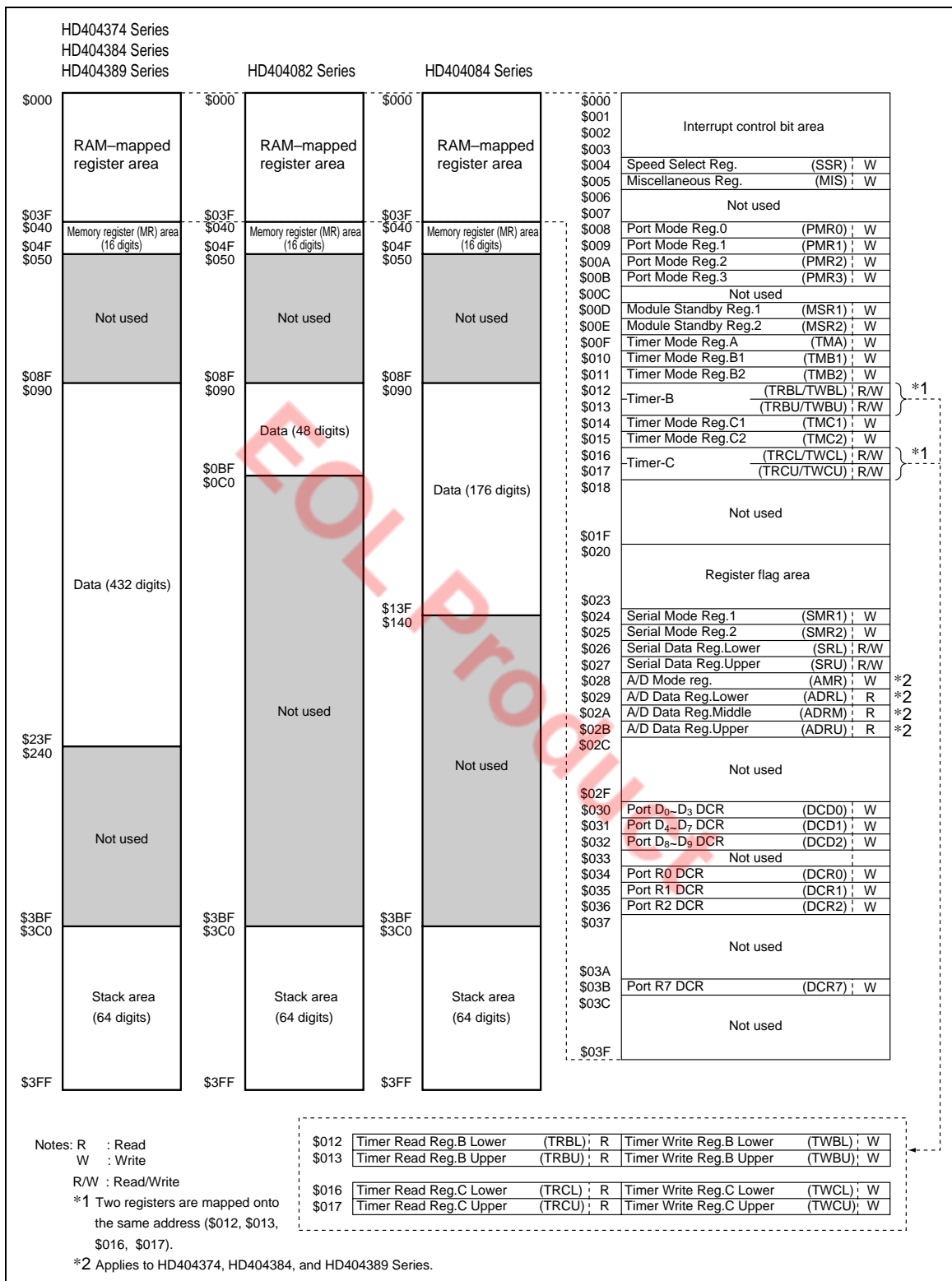


Figure 2 RAM Memory Map

RAM-mapped register area (\$000 to \$03F):

- Interrupt control bit area (\$000 to \$003)

This area consists of bits used for interrupt control. Its configuration is shown in figure 3. Individual bits can only be accessed by RAM bit manipulation instructions (SEM/SEMD, REM/REMD, TM/TMD). There are restrictions on access to certain bits. The individual bits and instruction restrictions are shown in figure 4.

- Special register area (\$004 to \$01F, \$024 to \$03F)

This area comprises mode registers and data registers for external interrupts, the serial interface, timers, A/D converter, etc., and I/O pin data control registers. Its configuration is shown in figures 2 and 5. These registers are of three kinds: write-only (W), read-only (R), and read/write (R/W). RAM bit manipulation instructions cannot be used on the other registers.

- Register flag area (\$020 to \$023)

This area consists of the DTON and WDON flags and interrupt control bits. Its configuration is shown in figure 3. Individual bits can only be accessed by RAM bit manipulation instructions (SEM/SEMD, REM/REMD, TM/TMD). There are restrictions on access to certain bits. The individual bits and instruction restrictions are shown in figure 4.

Memory register (MR) area (\$040 to \$04F):

In this data area, the 16 memory register digits (MR(0) to MR(15)) can also be accessed by the register-register instructions LAMR and XMRA. The configuration of this area is shown in figure 6.

Data area (\$090 to \$23F (HD404374, HD404384, HD404389 Series))
(\$090 to \$0BF (HD404082 Series))
(\$090 to \$13F (HD404084 Series))

Stack area (\$3C0 to \$3FF):

This is the stack area used to save the contents of the program counter (PC), status flag (ST), and carry flag (CA) when a subroutine call (CAL or CALL instruction) or interrupt handling is performed. As four digits are used for one level, the area can be used as a subroutine stack with a maximum of 16 levels. The saved data and saved status information are shown in figure 6. The program counter is restored by the RTN and RTNI instructions. The status and carry flags are restored by the RTNI instruction, but are not affected by the RTN instruction. Any part of the area not used for saving can be used as a data area.

RAM address	Bit 3	Bit 2	Bit 1	Bit 0
\$000	IMWU (\overline{WU}_0 interrupt mask)	IFWU (\overline{WU}_0 interrupt request flag)	RSP (Stack pointer reset)	IE (Interrupt enable flag)
\$001	Not used	Not used	IM0 (\overline{INT}_0 interrupt mask)	IF0 (\overline{INT}_0 interrupt request flag)
\$002	IMTB (Timer B interrupt mask)	IFTB (Timer B interrupt request flag)	IMTA (Timer A interrupt mask)	IFTA (Timer A interrupt request flag)
\$003	IMAD *2 (A/D converter interrupt mask)	IFAD *2 (A/D converter interrupt request flag)	IMTC (Timer C interrupt mask)	IFTC (Timer C interrupt request flag)
\$020	DTON *1 (DTON flag)	ADSF *2 (A/D start flag)	WDON (Watchdog on flag)	LSON *1 (Low speed on flag)
\$021	GEF (Gear enable flag)	Not used	Not used	Not used
\$022	Not used	Not used	Not used	Not used
\$023	IMS (Serial interrupt mask)	IFS (Serial interrupt request flag)	Not used	Not used

IF : Interrupt Request Flag
 IM : Interrupt Mask
 IE : Interrupt Enable Flag
 SP : Stack Pointer

Notes: *1 Applies to HD404374 Series.
 *2 Applies to HD404374, HD404384, and HD404389 Series.

Figure 3 Interrupt Control Bit and Register Flag Area Configuration

Bits in the interrupt control bit area and register flag area can be set and reset by the SEM or SEMD instruction and the REM or REMD instruction, and tested by the TM or TMD instruction. They are not affected by any other instructions.

The following restrictions apply to individual bits.

	SEM/SEMD	REM/REMD	TM/TMD
IE	Allowed	Allowed	Allowed
IM			
LSON *1			
IF	Not executed	Allowed	Allowed
ICSF			
ICEF			
GEF	Allowed	Allowed	Inhibited
RSP	Not executed	Allowed	Inhibited
WDON	Allowed	Not executed	Inhibited
ADSF *2	Allowed	Inhibited	Allowed
DTON *1	Not executed in active mode	Allowed	Allowed
	Used in subactive mode		
Not Used	Not executed	Not executed	Inhibited

Notes : The WDON bit is reset only by stop mode clearance by means of an MCU reset.

Do not use the REM or REMD instruction on the ADSF bit during A/D conversion.

The DTON bit is always in the reset state in active mode.

If the TM or TMD instruction is used on a bit for which its use is prohibited, or on a nonexistent bit, the status flag value will be undetermined

* 1 Applies to HD404374 Series.

* 2 Applies to HD404374, HD404384, and HD404389 Series.

Figure 4 Instruction Restrictions

RAM address	Bit 3	Bit 2	Bit 1	Bit 0
\$000	Interrupt control bit area			
\$003				
SSR \$004	32 kHz oscillation stop setting ^{*1}	32 kHz frequency division ^{*1} ratio selection	System clock selection ^{*1}	System clock frequency division ratio switching
MIS \$005	Pull-up MOS control	Not used	Interrupt frame period selection ^{*1}	
\$006	Not used			
\$007	Not used			
PMR0 \$008	Not used			D ₀ /INT ₀
PMR1 \$009	Not used			R ₀ /W _U ₀
PMR2 \$00A	R ₁ ₃ /TOB	Not used		R ₁ ₀ /EVNB
PMR3 \$00B	R ₂ ₂ /SI/SO		R ₂ ₁ /SCK	R ₂ ₀ /TOC
\$00C	Not used			
MSR1 \$00D	Not used		Timer C clock on/off	Timer B lock on/off
MSR2 \$00E	Not used		A/D clock on/off ^{*2}	Serial clock on/off
TMA \$00F	Timer A / time base	Timer A clock source selection		
TMB1 \$010	Reload on/off	Timer B clock source selection		
TMB2 \$011	Not used	Timer B output mode setting	EVNB edge detection selection	
TRBL/TWBL \$012	Timer B register (lower)			
TRBU/TWBU \$013	Timer B register (upper)			
TMC1 \$014	Reload on/off	Timer C clock source selection		
TMC2 \$015	Not used	Timer C output mode selection	Not used	
TRCL/TWCL \$016	Timer C register (lower)			
TRCU/TWCU \$017	Timer C register (upper)			
\$018	Not used			
\$01F	Not used			
\$020	Register flag area			
\$023	Serial transfer clock speed selection			
SMR1 \$024	Serial transfer clock speed selection			
SMR2 \$025	Not used	R ₂ ₂ /SI/SO PMOS control	SO idle H/L setting	Not used
SRL \$026	Serial data register (lower)			
SRU \$027	Serial data register (upper)			
AMR \$028	Analog channel selection ^{*2}			A/D conversion time ^{*2}
ADRL \$029	A/D data register (bit 1, 0) ^{*2}		Not used	
ADRM \$02A	A/D data register (bit 5 to 2) ^{*2}			
ADRU \$02B	A/D data register (bit 9 to 6) ^{*2}			
\$02C	Not used			
\$02F	Not used			
DCD0 \$030	PortD ₃ DCR	PortD ₂ DCR	PortD ₁ DCR	PortD ₀ DCR
DCD1 \$031	PortD ₇ DCR	PortD ₆ DCR	PortD ₅ DCR	PortD ₄ DCR
DCD2 \$032	Not used		PortD ₉ DCR	PortD ₈ DCR
\$033	Not used			
DCR0 \$034	Not used			PortR ₀ DCR
DCR1 \$035	PortR ₁ ₃ DCR	Not used		PortR ₁ ₀ DCR
DCR2 \$036	Not used	PortR ₂ ₂ DCR	PortR ₂ ₁ DCR	PortR ₂ ₀ DCR
\$037	Not used			
\$03A	Not used			
DCR7 \$03B	PortR ₇ ₃ DCR	PortR ₇ ₂ DCR	PortR ₇ ₁ DCR	PortR ₇ ₀ DCR
\$03C	Not used			
\$03F	Not used			

Notes: *1 Applies to HD404374 Series.

*2 Applies to HD404374, HD404384, and HD404389 Series.

Figure 5 Special Function Register Area

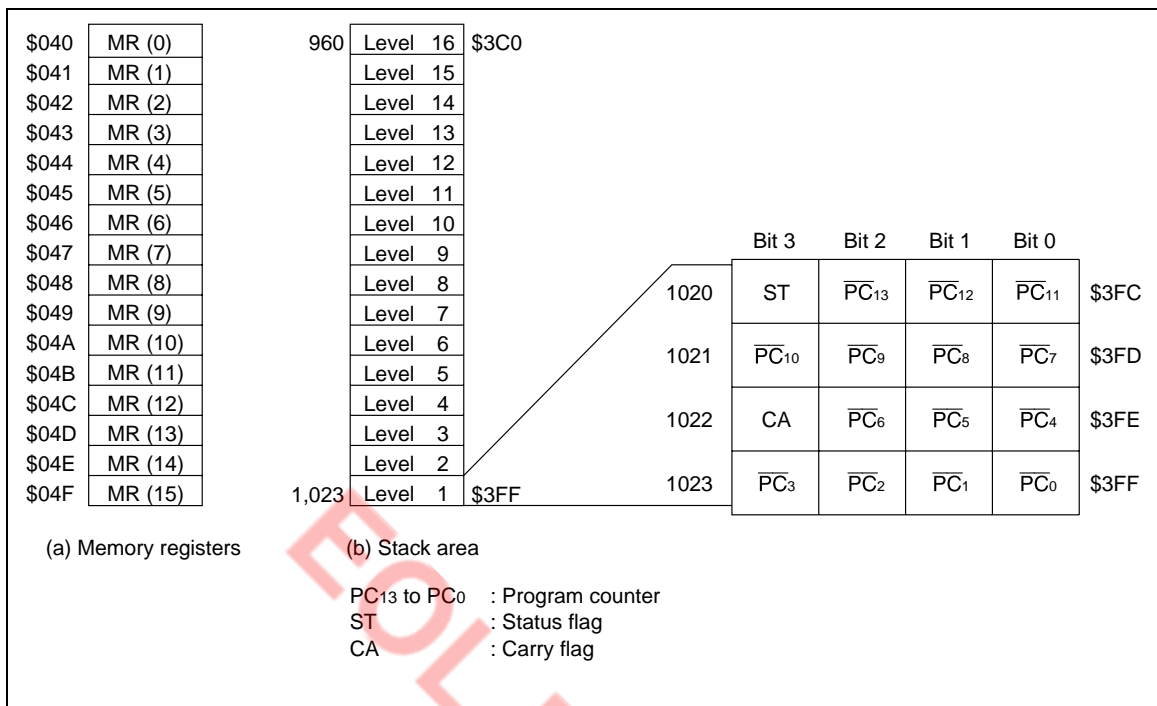


Figure 6 Configuration of Memory Registers and Stack Area, and Stack Position

Functional Description

Registers and Flags

The MCU has nine registers and two flags for CPU operations. they are shown in figure 7 and described below.

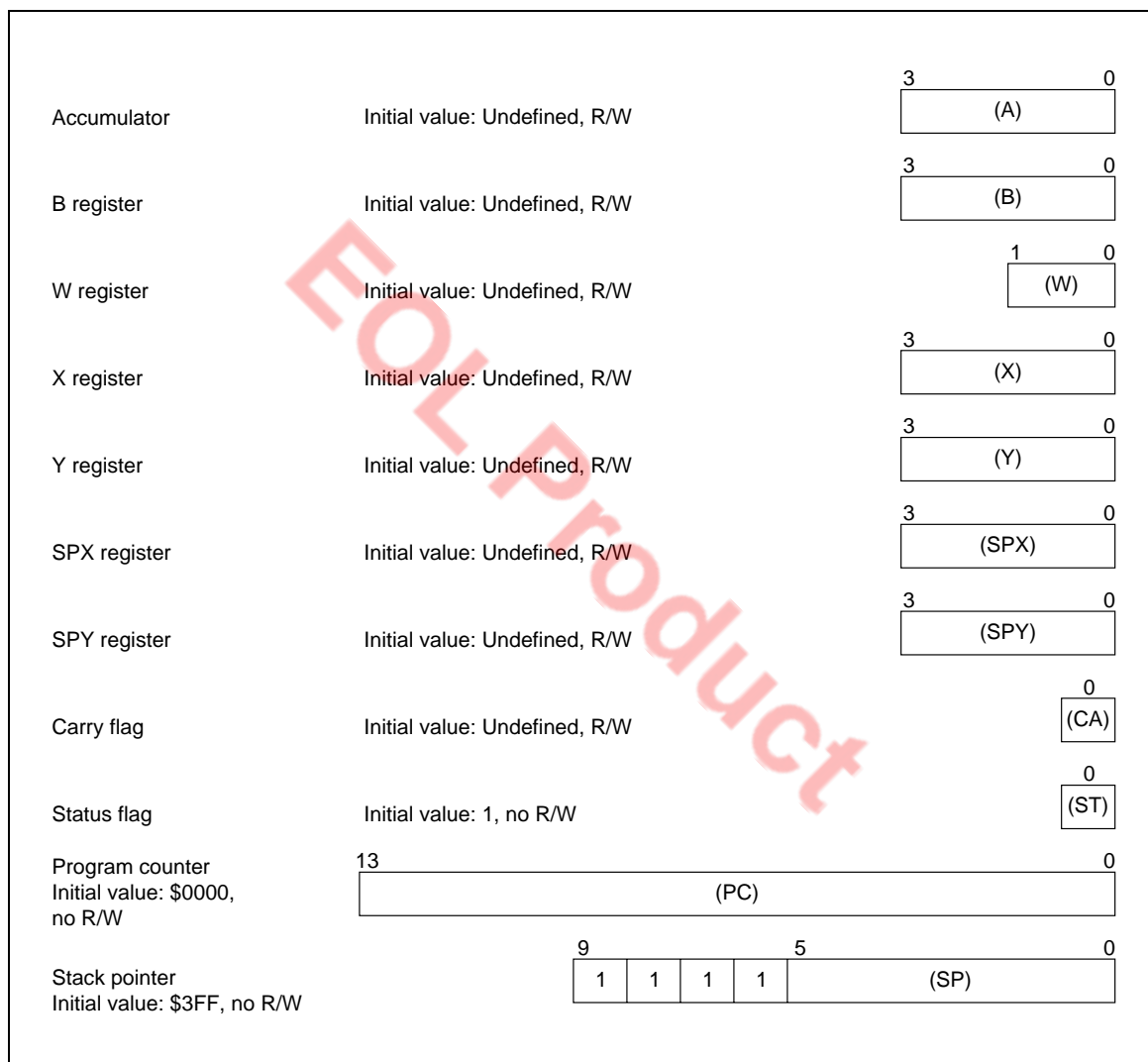


Figure 7 Registers and Flags

Accumulator (A) and B register (B):

The accumulator and B register are 4-bit registers used to hold the result of an ALU operation, and for data transfer to or from memory, an I/O area, or another register.

W register (W), X register (X) and Y register (Y):

The W register is a 2-bit register, and the X and Y registers are 4-bit registers, used for RAM register indirect addressing. The Y register is also used for D port addressing.

SPX register (SPX) and SPY register (SPY):

The SPX and SPY registers are 4-bit registers used as X register and Y register auxiliary registers, respectively.

Carry flag (CA):

This flag holds ALU overflow when an arithmetic/logic instruction is executed. It is also affected by the SEC, REC, ROTL, and ROTR instructions. The contents of the carry flag are saved to the stack when interrupt handling is performed, and are restored from the stack by the RTNI instruction (but are not affected by the RTN instruction).

Status flag (ST):

This flag holds ALU overflow when an arithmetic/logic or compare instruction is executed, and the result of an ALU non-zero or bit test instruction. It is used as the branch condition for the BR, BRL, CAL, and CALL instructions. The status flag is a latch-type flag, and does not change until the next arithmetic/logic, compare, or bit test instruction is executed. After a BR, BRL, CAL, or CALL instruction, the status flag is set to 1 regardless of whether the instruction is executed or skipped. The contents of the status flag are saved to the stack when interrupt handling is performed, and are restored from the stack by the RTNI instruction (but are not affected by the RTN instruction).

Program counter (PC):

This is a 14-bit binary counter that holds ROM address information.

Stack pointer (SP):

The stack pointer is a 10-bit register that holds the address of the next save space in the stack area. The stack pointer is initialized to \$3FF by an MCU reset. The stack pointer is decremented by 4 each time data is saved, and incremented by 4 each time data is restored. The upper 4 bits of the stack pointer are fixed at 1111, so that a maximum of 16 stack levels can be used.

There are two ways in which the stack pointer is initialized to \$3FF: by an MCU reset as mentioned above, or by resetting the RSP bit with the REM or REMD instruction.

Reset

An MCU reset is performed by driving the $\overline{\text{RESET}}$ pin low. At power-on, and when subactive mode, watch mode, or stop mode is cleared, $\overline{\text{RESET}}$ should be input for at least tRC to provide the oscillation settling time for the oscillator. In other cases, the MCU is reset by inputting $\overline{\text{RESET}}$ for at least two instruction cycles.

Table 1 shows the areas initialized by an MCU reset, and their initial values.

Table 1 (1) Initial Values after MCU Reset

Item	Abbr.	Initial value	Contents	
Program counter	(PC)	\$0000	Program executed from ROM start address	
Status flag	(ST)	1	Branching by conditional branch instruction enabled	
Stack pointer	(SP)	\$3FF	Stack level is 0	
Interrupt	Interrupt enable flag (IE)	0	All interrupts disabled	
flags/ mask	Interrupt request flag (IF)	0	No interrupt requests	
	Interrupt mask (IM)	1	Interrupt requests masked	
I/O	Port data register (PDR)	All bits 1	"1" level output possible	
	Data control registers (DCD0 ~ 2)	All bits 0	Output buffer off (high impedance)	
	Data control registers (DCR0 ₀ , DCR1 ₀ , DCR1 ₃ , DCR2 ₀ - DCR2 ₂ , DCR7 ₀ - DCR7 ₃)	All bits 0		
	Port mode register 0 (PMR0)	---0	See port mode register 0 section	
	Port mode register 1 (PMR1)	---0	See port mode register 1 section	
	Port mode register 2 (PMR2)	0--0	See port mode register 2 section	
	Port mode register 3 (PMR3)	0000	See port mode register 3 section	
	Timers	Timer mode register A (TMA)	0000	See timer mode register A section
		Timer mode register B1 (TMB1)	0000	See timer mode register B1 section
		Timer mode register B2 (TMB2)	-000	See timer mode register B2 section
Timer mode register C1 (TMC1)		0000	See timer mode register C1 section	
Timer mode register C2 (TMC2)		-0--	See timer mode register C2 section	
Prescaler S (PSS)		\$000		
Prescaler W (PSW)		\$00		
Timer/counter A (TCA)		\$00		
Timer/counter B (TCB)		\$00		
Timer/counter C (TCC)		\$00		
Timer write register B (TWBU,L)		\$X0		
Timer write register C (TWCU,L)		\$X0		

Table 1 (2) Initial Values after MCU Reset

Item		Abbr.	Initial value	Contents
Serial interface	Serial mode register 1	(SMR1)	0000	See serial mode register 1 section
	Serial mode register 2	(SMR2)	-0X-	See serial mode register 2 section
	Serial data register	(SRU,L)	\$XX	
	Octal counter		000	
A/D converter	A/D mode register	(AMR)	0000	See A/D mode register section
	A/D data register U	(ADRU)	0111	See A/D data register section
	A/D data register M	(ADRM)	1111	
	A/D data register L	(ADRL)	11- -	
Bit registers	Low speed on flag	(LSON)	0	See low-power mode section
	Watchdog timer on flag	(WDON)	0	See timer C section
	A/D start flag	(ADSF)	0	See A/D converter section
	Direct transfer on flag	(DTON)	0	See low-power mode section
	Gear enable flag	(GEF)	0	See system clock gear function
Others	Miscellaneous register	(MIS)	0-00	See low-power mode and input/output sections
	System clock select register	(SSR)	0000	See low-power mode and oscillator circuit sections
	Module standby register 1	(MSR1)	--00	See timer section
	Module standby register 2	(MSR2)	--00	See serial interface and A/D converter sections

- Notes: 1. The state of registers and flags other than those listed above after an MCU reset is shown in table 1 (3).
 2. X: Indicates invalid value, - indicates that the bit does not exist.

Table 1 (3) Initial Values after MCU Reset

Item	Abbr.	After Stop Mode Clearance by \overline{WU}_0	After Other MCU Reset
Carry flag	(CA)	Retain value immediately prior to entering stop mode	Value immediately prior to MCU reset is not guaranteed. Must be initialized by program.
Accumulator	(A)		
B register	(B)		
W register	(W)		
X/SPX register	(X/SPX)		
Y/SPY register	(Y/SPY)		
RAM			

Interrupts

There are a total of seven interrupt sources, comprising wakeup input (\overline{WU}_0), external interrupts (\overline{INT}_0), timer/counter (timer A, timer B, timer C) interrupts, a serial interface interrupt, and an A/D converter interrupt.

Each interrupt source is provided with an interrupt request flag, interrupt mask, and vector address, used for storing and controlling interrupt requests. In addition, an interrupt enable flag is provided to control interrupts as a whole.

Of the interrupt sources, the A/D converter and serial interface share the same vector address. Software must therefore determine which of the interrupt sources is requesting an interrupt at the start of interrupt handling.

Interrupt control bits and interrupt handling:

The interrupt control bits are mapped onto RAM addresses \$000 to \$003 and \$023, and can be accessed by RAM bit manipulation instructions. However, the interrupt request flags (IF) cannot be set by software. When the MCU is reset, the interrupt enable flag (IE) and interrupt request flags (IF) are initialized to 0, and the interrupt masks (IM) are initialized to 1.

Figure 8 shows a block diagram of the interrupt control circuit, table 2 shows interrupt priorities and vector addresses, and table 3 lists the conditions for executing interrupt handling for each of the nine kinds of interrupt source. When the interrupt request flag is set to 1 and the interrupt mask is cleared to 0, an interrupt is requested. If the interrupt enable flag is set to 1 at this time, interrupt handling is started. The vector address corresponding to the interrupt source is generated by the priority control circuit.

The interrupt handling sequence is shown in figure 9, and the interrupt handling flowchart in figure 10. When an interrupt is accepted, execution of the previous instruction is completed in the first cycle. In the second cycle, the interrupt enable flag (IE) is reset. In the second and third cycles, the contents of the carry flag, status flag, and program counter are saved on the stack. In the third cycle, a jump is made to the vector address and instruction execution is resumed from that address.

In each vector address area, a JMPL instruction should be written that branches to the start address of the interrupt routine. In the interrupt routine, the interrupt request flag that caused interrupt handling must be reset by software.

Table 2 Vector Addresses and Interrupt Priorities

Interrupt Source	Priority	Vector Address
RESET	—	\$0000
\overline{WU}_0	1	\$0002
\overline{INT}_0	2	\$0004
Timer A	3	\$0008
Timer B	4	\$000A
Timer C	5	\$000C
Serial interface, A/D converter	6	\$000E

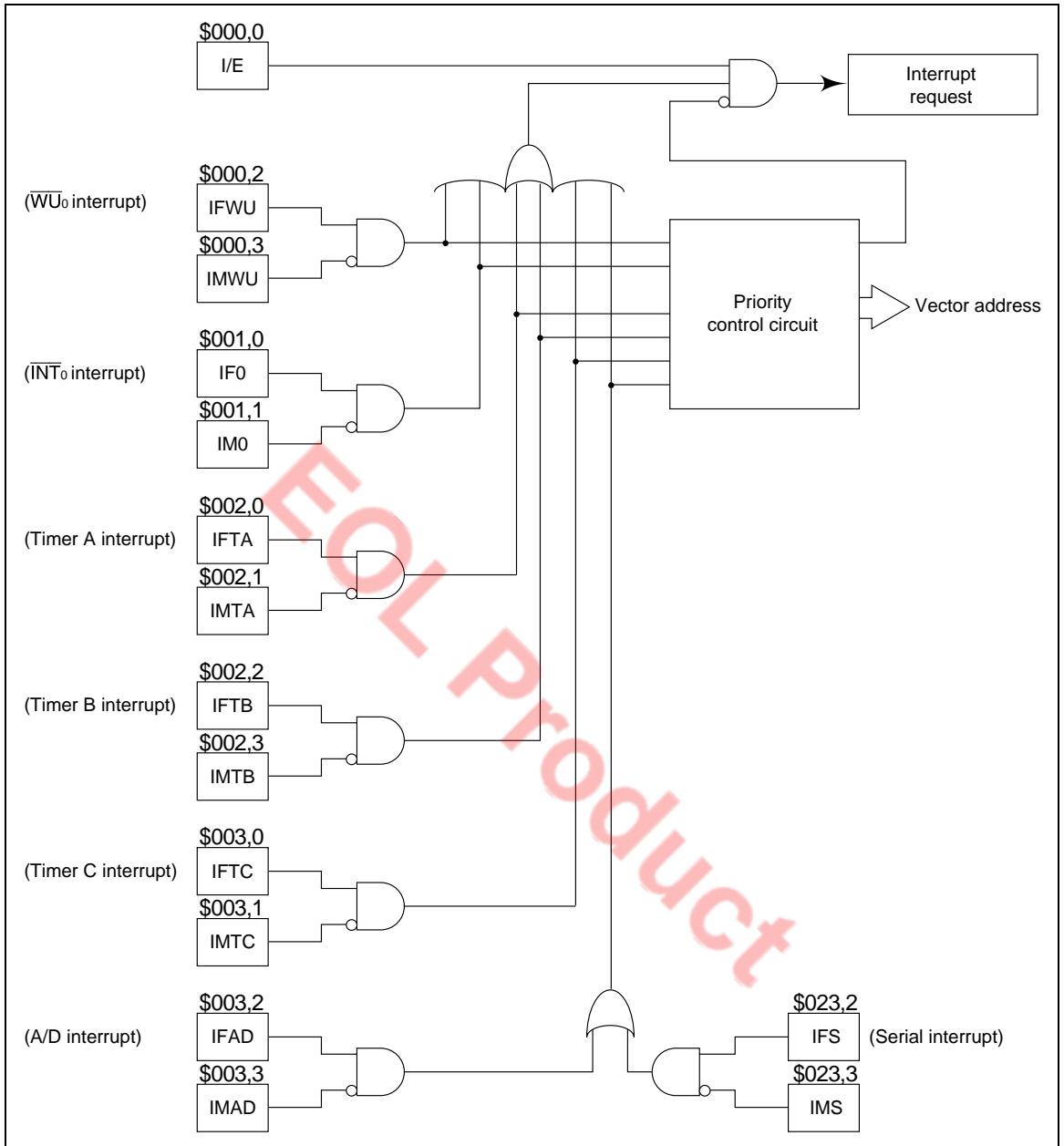


Figure 8 Block Diagram of Interrupt Control Circuit

Table 3 Interrupt Processing and Activation Conditions

Interrupt Control Bit	Interrupt Source					A/D or Serial
	\overline{WU}_0	\overline{INT}_0	Timer A	Timer B	Timer C	
IE	1	1	1	1	1	1
IFWU• \overline{IMWU}	1	0	0	0	0	0
IF0• $\overline{IM0}$	*	1	0	0	0	0
IFTA• \overline{IMTA}	*	*	1	0	0	0
IFTB• \overline{IMTB}	*	*	*	1	0	0
IFTC• \overline{IMTC}	*	*	*	*	1	0
IFAD• \overline{IMAD} +IFS• \overline{IMS}	*	*	*	*	*	1

Note: * Operation is not affected whether the value is 0 or 1.

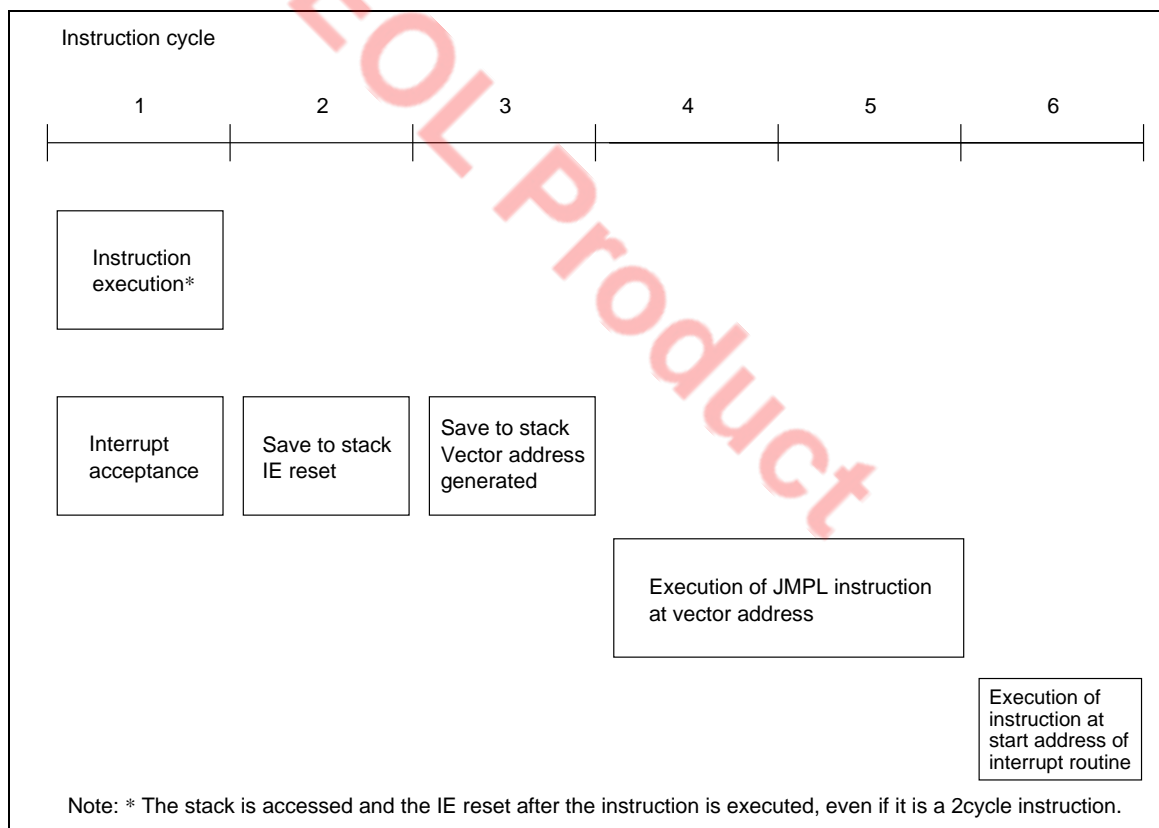


Figure 9 Interrupt Sequence

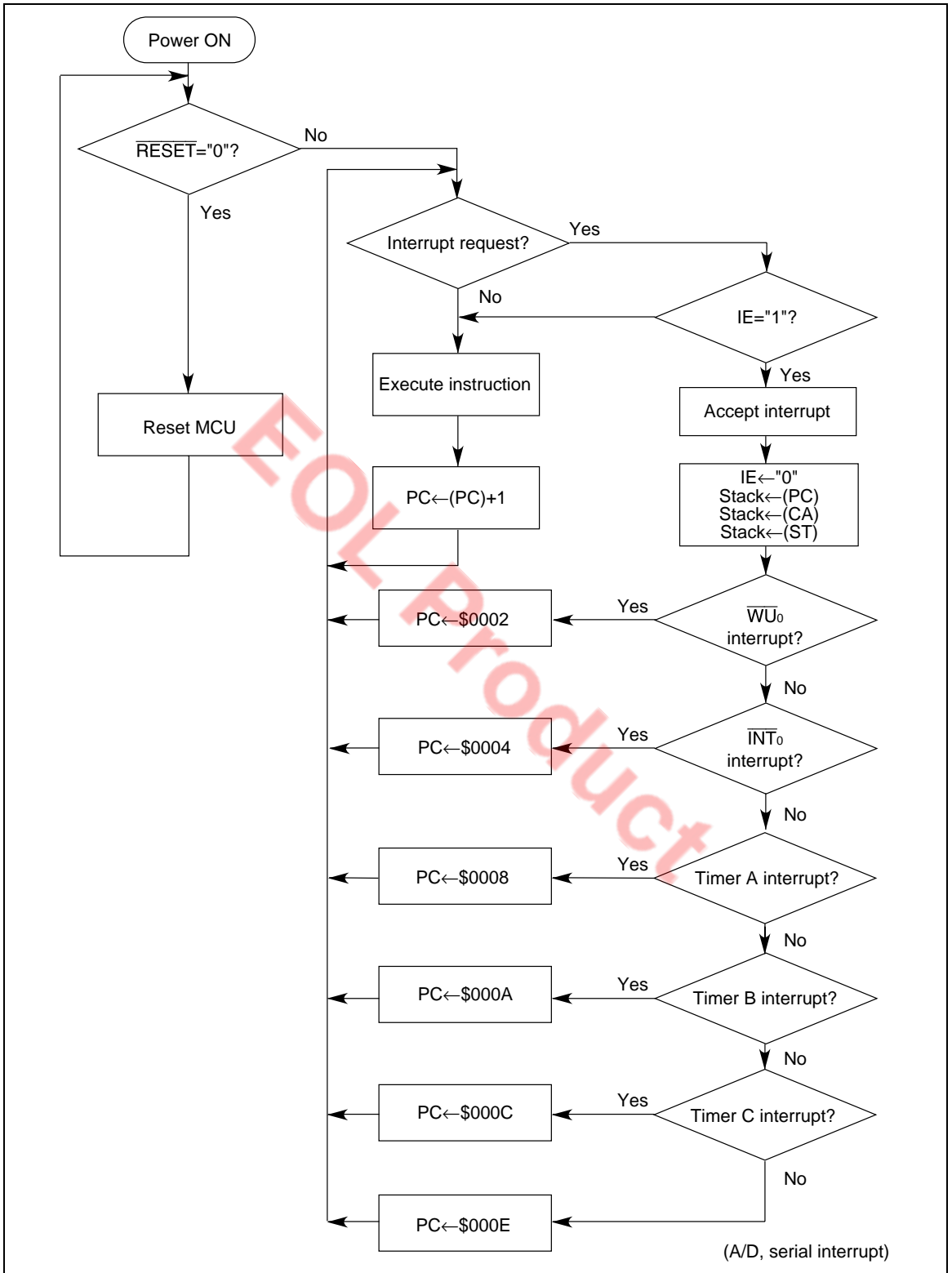


Figure 10 Interrupt Handling Flowchart

Interrupt enable flag (IE: \$000,0):

The interrupt enable flag controls interrupt enabling/disabling of all interrupt requests as shown in table 4. The interrupt enable flag is reset by interrupt handling and set by the RTNI instruction.

Table 4 Interrupt Enable Flag (IE: \$000,0)

Interrupt Enable Flag (IE)	Interrupt Enabling/Disabling
0	Interrupts disabled
1	Interrupts enabled

Wakeup interrupt request flag (IFWU: \$000,2):

The wakeup interrupt request flag (IFWU) is set by the detection of a falling edge in \overline{WU}_0 input in active mode, subactive mode, watch mode, or standby mode. In stop mode, when a falling edge is detected at the wakeup pin, the MCU waits for the oscillation settling time, then switches to active mode. When a transition is made from stop mode to active mode with IE set to 1 and IMWU cleared to 0, wakeup interrupt handling is executed after the switch to active mode. The wakeup interrupt request flag (IFWU) is not set in this case (table 5).

Table 5 Wakeup Interrupt Request Flag (IFWU: \$000,2)

Wakeup Interrupt Request Flag (IFWU)	Interrupt Request
0	No wakeup interrupt request
1	Wakeup interrupt request generated

Wakeup Interrupt Mask (IMWU: \$000,3):

this bit masks an interrupt request by the wakeup interrupt request flag (table 6).

Table 6 Wakeup Interrupt Request Mask (IMWU: \$000,3)

Wakeup Interrupt Mask (IMWU)	Interrupt Request
0	Wakeup interrupt request enabled
1	Wakeup interrupt request masked (held pending)

External interrupt request flag (IF0: \$001, 0):

The external interrupt request flag is set by an \overline{INT}_0 input falling edge (table 7).

Table 7 External Interrupt Request Flag (IF0: \$001, 0)

External Interrupt Request Flag (IF0)	Interrupt Request
0	No external interrupt request
1	External interrupt request generated

External interrupt mask (IM0: \$001, 1):

This bit masks an interrupt request by the external interrupt request flag (table 8).

Table 8 External Interrupt Mask (IM0: \$001, 1)

External Interrupt Mask (IM0)	Interrupt Request
0	External interrupt request enabled
1	External interrupt request masked (held pending)

Timer A interrupt request flag (IFTA: \$002,0):

The timer A interrupt request flag is set by timer A overflow output (table 9).

Table 9 Timer A Interrupt Request Flag (IFTA: \$002,0)

Timer A Interrupt Request Flag (IFTA)	Interrupt Request
0	No timer A interrupt request
1	Timer A interrupt request generated

Timer A interrupt mask (IMTA: \$002,1):

This bit masks an interrupt request by the timer A interrupt request flag (table 10).

Table 10 Timer A Interrupt Mask (IMTA: \$002,1)

Timer A Interrupt Mask (IMTA)	Interrupt Request
0	Timer A interrupt request enabled
1	Timer A interrupt request masked (held pending)

Timer B interrupt request flag (IFTB: \$002,2):

The timer B interrupt request flag is set by timer B overflow output (table 11).

Table 11 Timer B Interrupt Request Flag (IFTB: \$002,2)

Timer B Interrupt Request Flag (IFTB)	Interrupt Request
0	No timer B interrupt request
1	Timer B interrupt request generated

Timer B interrupt mask (IMTB: \$002,3):

This bit masks an interrupt request by the timer B interrupt request flag (table 12).

Table 12 Timer B Interrupt Mask (IMTB: \$002,3)

Timer B Interrupt Mask (IMTB)	Interrupt Request
0	Timer B interrupt request enabled
1	Timer B interrupt request masked (held pending)

Timer C interrupt request flag (IFTC: \$003,0):

The timer C interrupt request flag is set by timer C overflow output (table 13).

Table 13 Timer C Interrupt Request Flag (IFTC: \$003,0)

Timer C Interrupt Request Flag (IFTC)	Interrupt Request
0	No timer C interrupt request
1	Timer C interrupt request generated (held pending)

Timer C interrupt mask (IMTC: \$003,1):

This bit masks an interrupt request by the timer C interrupt request flag (table 14).

Table 14 Timer C Interrupt Mask (IMTC: \$003,1)

Timer C Interrupt Mask (IMTC)	Interrupt Request
0	Timer C interrupt request enabled
1	Timer C interrupt request masked (held pending)

Serial interrupt request flag (IFS: \$023,2):

The serial interrupt request flag is set on completion of serial data transfer, or if data transfer is halted midway (table 15).

Table 15 Serial Interrupt Request Flag (IFS: \$023,2)

Serial Interrupt Request Flag (IFS)	Interrupt Request
0	No serial interrupt request
1	Serial interrupt request generated

Serial interrupt mask (IMS: \$023,3):

This bit masks an interrupt request by the serial interrupt request flag (table 16).

Table 16 Serial Interrupt Mask (IMS: \$023,3)

Serial Interrupt Mask (IMS)	Interrupt Request
0	Serial interrupt request enabled
1	Serial interrupt request masked (held pending)

A/D interrupt request flag (IFAD: \$003,2) (Applies to HD404374, HD404384, and HD404389 Series):

The A/D interrupt request flag is set on completion of A/D conversion (table 17).

Table 17 A/D Interrupt Request Flag (IFAD: \$003,2)

A/D Interrupt Request Flag (IFAD)	Interrupt Request
0	No A/D interrupt request
1	A/D interrupt request generated

A/D interrupt mask (IMAD: \$003,3) (Applies to HD404374, HD404384, and HD404389 Series):

This bit masks an interrupt request by the A/D interrupt request flag (table 18).

Table 18 A/D Interrupt Mask (IMAD: \$003,3)

Serial Interrupt Mask (IMAD)	Interrupt Request
0	A/D interrupt request enabled
1	A/D interrupt request masked (held pending)

Operating Modes

The five operating modes shown in table 19 can be used for the MCU.

The function of each mode is shown in table 20, and the state transition diagram among each mode in figure 11.

Table 19 Operating Modes and Clock Status

		Mode Name				
		Active	Standby	Stop	Watch* ¹	Subactive* ^{1, *3}
Activation method		$\overline{\text{RESET}}$ cancellation, interrupt request, $\overline{\text{WU}}_0$ input in stop mode STOP/SBY instruction in subactive mode (when direct transfer is selected)	SBY instruction	STOP instruction when TMA3 = 0	STOP instruction when TMA3 = 1	$\overline{\text{INT}}_0$ /timer A or $\overline{\text{WU}}_0$ interrupt request in watch mode
Status	System oscillator	OP	OP	Stopped	Stopped	Stopped
	Subsystem oscillator* ¹	OP	OP	OP* ²	OP	OP
Cancellation method		$\overline{\text{RESET}}$ input, STOP/SBY instruction	$\overline{\text{RESET}}$ input, interrupt request	$\overline{\text{RESET}}$ input, $\overline{\text{WU}}_0$ input	$\overline{\text{RESET}}$ input, $\overline{\text{INT}}_0$ /timer A or $\overline{\text{WU}}_0$ interrupt request	$\overline{\text{RESET}}$ input, STOP/SBY instruction

Notes: OP: implies in operation.

1. Applies to HD404374 Series.
2. Operating or stopping the oscillator can be selected by setting bit 3 of the system clock select register (SSR: \$004)
3. Subactive mode is an optional function; specify it on the function option list.

Table 20 Operation in Low-Power Dissipation Modes

Function	Stop Mode	Watch mode* ¹	Standby Mode	Subactive Mode* ^{1, *3}
CPU	Retained	Retained	Retained	OP
RAM	Retained	Retained	Retained	OP
Timer A	Stopped	OP	OP	OP
Timer B	Stopped	Stopped	OP	OP
Timer C	Stopped	Stopped	OP	OP
Serial interface	Stopped * ²	Stopped * ²	OP	OP
A/D * ⁴	Stopped	Stopped	OP	Stopped
I/O	Retained	Retained	Retained	OP

Notes: OP: implies in operation.

1. Applies to HD404374 Series.
2. Transmission/Reception is activated if a clock is input in external clock mode. However, interrupts stop.
3. Subactive mode is an optional function specified on the function option list.
4. Applies to HD404374, HD404384, and HD404389 Series.

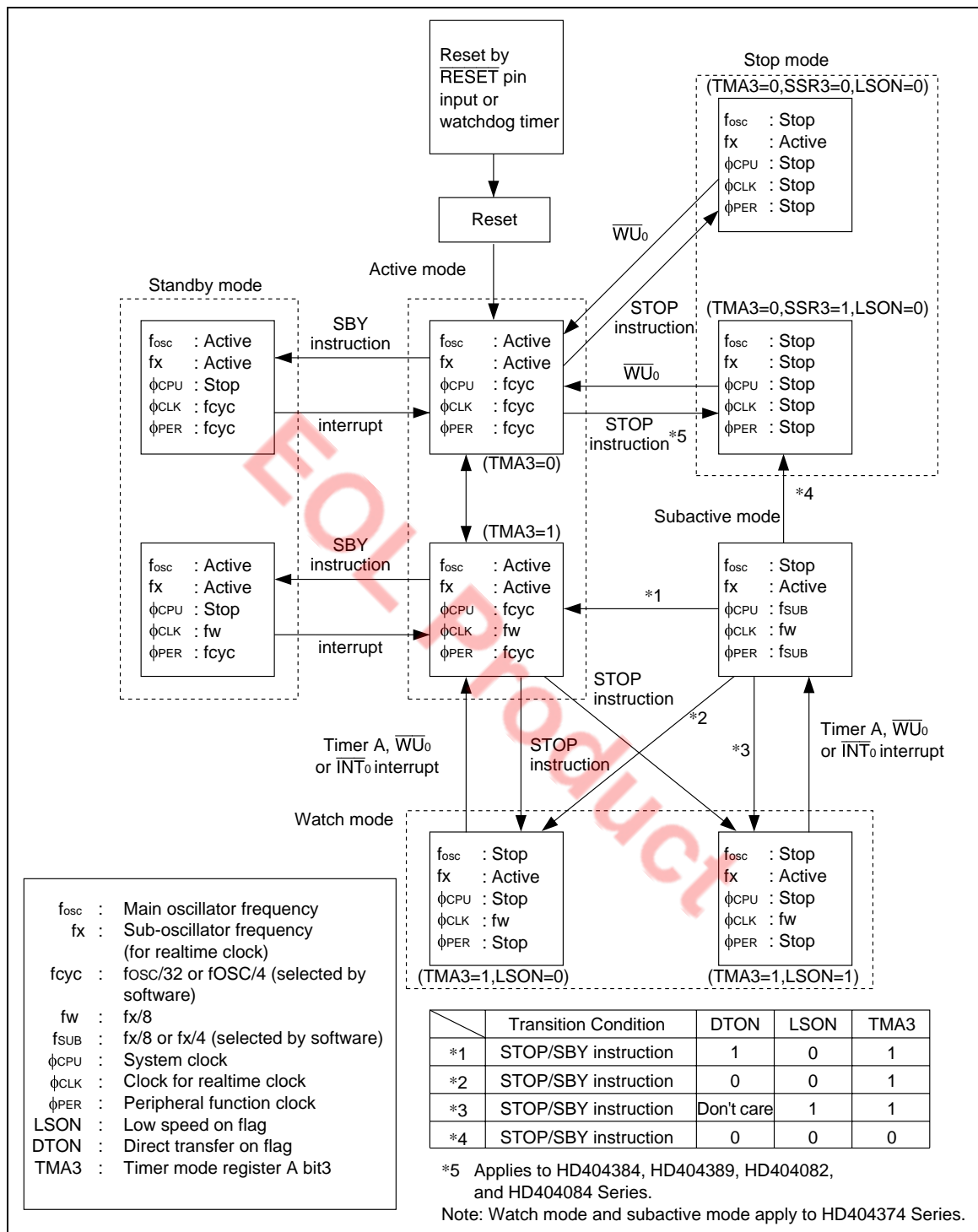


Figure 11 MCU Status Transitions

Active mode:

In active mode all functions operate. In this mode, the MCU operates on clocks generated by the OSC₁ and OSC₂ oscillator circuits.

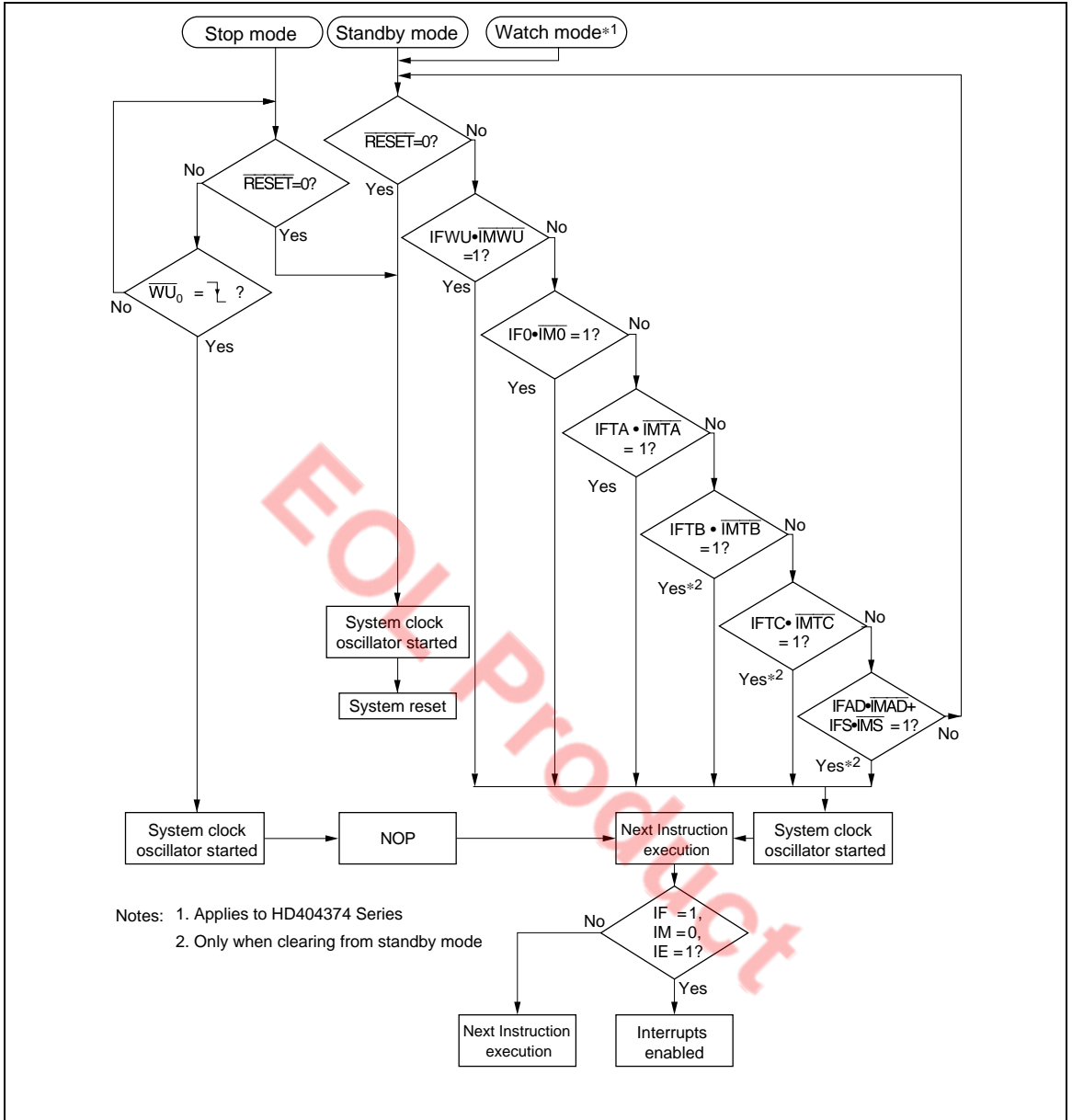
Standby mode:

In standby mode the oscillators continue to operate but clocks relating to instruction execution halt. As a result, CPU operation stops, and registers, RAM, and the D port/R port set for output retain their state immediately prior to entering standby mode. Interrupts, timers, the serial interface, and other peripheral functions continue to operate.

Power consumption is lower than in active mode due to the halting of the CPU.

The MCU is switched to standby mode by executing the SBY instruction in active mode. Standby mode is cleared by $\overline{\text{RESET}}$ input or an interrupt request. When standby mode is cleared by $\overline{\text{RESET}}$ input, an MCU reset is performed. When standby mode is cleared by an interrupt request, the MCU enters active mode and executes a instruction following the SBY instruction. After executing the instruction, if the interrupt enable flag is set to 1, interrupt handling is executed; if the interrupt enable flag is cleared to 0, the interrupt request is held pending and normal instruction execution is continued.

MCU operation flowchart is shown in figure 12.



Notes: 1. Applies to HD404374 Series
 2. Only when clearing from standby mode

Figure 12 MCU Operation Flowchart

Stop mode:

In stop mode, all MCU function stop except that states prior to entry into stop mode are retained. This mode thus has the lowest power consumption of all operating mode.

In stop mode, the OSC₁ and OSC₂ oscillators stop. Bit 3 (SSR3) of the system clock select register (SSR: \$004) (figure 22) can be used to select the active (= 0) or stopped (= 1) state for the X1 and X2 oscillators.

The MCU is switched to stop mode by executing a STOP instruction while bit 3 (TMA3) of timer mode register A (TMA: \$00F) (figure 33) is cleared to 0 in active mode. Stop mode is cleared by $\overline{\text{RESET}}$ or $\overline{\text{WU}}_0$ input. When stop mode is cleared by $\overline{\text{RESET}}$, the RESET signal should be input for at least the oscillation settling time (t_{RC}) (see "AC Characteristics") shown in figure 13. Then, the MCU is initialized and starts instruction execution from the start (address 0) of the program (IE = 0, IMWU = 0). If IE is set before entering stop mode (IE = 1, IMWU = 0), wakeup interrupt handling is executed after the transition to active mode.

When the MCU detects a falling edge at $\overline{\text{WU}}_0$ in stop mode, it automatically waits for the oscillation settling time, then switches to active mode. After the transition to active mode, the MCU resumes program execution from the instruction following the STOP instruction.

If stop mode is cleared by wakeup input, RAM data and registers retain their values prior to entering stop mode.

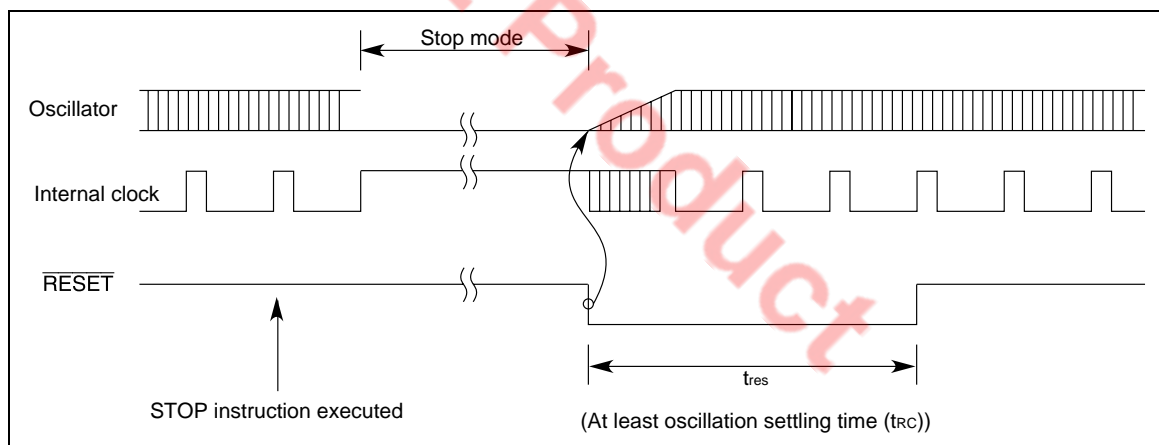


Figure 13 Timing Chart for Clearing Stop Mode by RESET Input

Note: If stop mode is cleared by wakeup input when an external clock is used as the system clock (OSC1), the subclock should not be stopped in stop mode.

Watch mode (Applies to HD404374 Series) :

In watch mode, the realtime clock function (timer A) and LCD function using the X1 and X2 oscillators operate, but other functions stop. This mode thus has the second lowest power consumption after stop mode, and is useful for performing realtime clock display only.

In watch mode, the OSC₁ and OSC₂ oscillators stop but the X1 and X2 oscillators continue to operate.

The MCU is switched to watch mode by executing a STOP instruction while TMA3 = 1 in active mode, or by executing a STOP/SBY instruction in subactive mode.

Watch mode is cleared by $\overline{\text{RESET}}$ input or an $\overline{\text{INT}}_0$, timer A or $\overline{\text{WU}}_0$ interrupt request. For $\overline{\text{RESET}}$ input, refer to the section on stop mode. When watch mode is cleared by an $\overline{\text{INT}}_0$, timer A or $\overline{\text{WU}}_0$ interrupt request, the mode transition depends on the value of the LSON bit: the MCU enters active mode if LSON = 0, and enters subactive mode if LSON = 1. In the case of a transition to active mode, interrupt request generation is delayed to secure the oscillation settling time: the delay is the t_{RC} set time for the timer A interrupt, and, for the $\overline{\text{INT}}_0$ interrupt or $\overline{\text{WU}}_0$ interrupt, T_x (T + t_{RC} < T_x < 2T + t_{RC}) if bit 1 and 0 (MIS1, MIS0) of the miscellaneous register are set to 00, or T_x (t_{RC} < T_x < T + t_{RC}) if MIS1 and MIS0 are set to 01 or 10 (figures 14 and 15). Other operations when the transition is made are the same as when watch mode is cleared (figure 12).

Subactive mode (Applies to HD404374 Series):

In subactive mode, the OSC₁ and OSC₂ oscillator circuits stop and the MCU operates on clocks generated by the X1 and X2 oscillator circuits. In this mode, functions other than the A/D converter operate, but since the operating clocks are slow, power consumption is the lowest after watch mode.

A CPU instruction processing speed of 244 μs or 122 μs can be selected according to whether bit 2 (SSR2) of the system clock select register (SSR: \$004) is set to 1 or cleared to 0. The value of the SSR2 bit should be changed (0→1 or 1→0) only in active mode. If the value is changed in subactive mode, the MCU may operate incorrectly.

Subactive mode is cleared by executing a STOP/SBY instruction. A transition is then made to either watch mode or active mode according to the value of the low speed on flag (LSON: \$020,0) and the direct transfer on flag (DTON: \$020,3).

Subactive mode is a function option, and should be specified in the function option list.

Interrupt frame (Applies to HD404374 Series):

In watch mode and subactive mode, ϕ_{CLK} is supplied to the timer A, $\overline{\text{WU}}_0$, and $\overline{\text{INT}}_0$ acceptance circuits. Prescaler W and timer A operate as time bases, and generate interrupt frame timing. Either of two values can be selected for the interrupt frame period, T, by means of the miscellaneous register (MIS: \$005) (figure 15).

In watch mode and subactive mode, the timing for generation of timer A, $\overline{\text{INT}}_0$ and $\overline{\text{WU}}_0$ interrupts is synchronized with the interrupt frame. Except for the case of an active mode transition, the interrupt strobe timing is used for interrupt request generation. Timer A generates overflow and interrupt requests at the interrupt strobe timing.

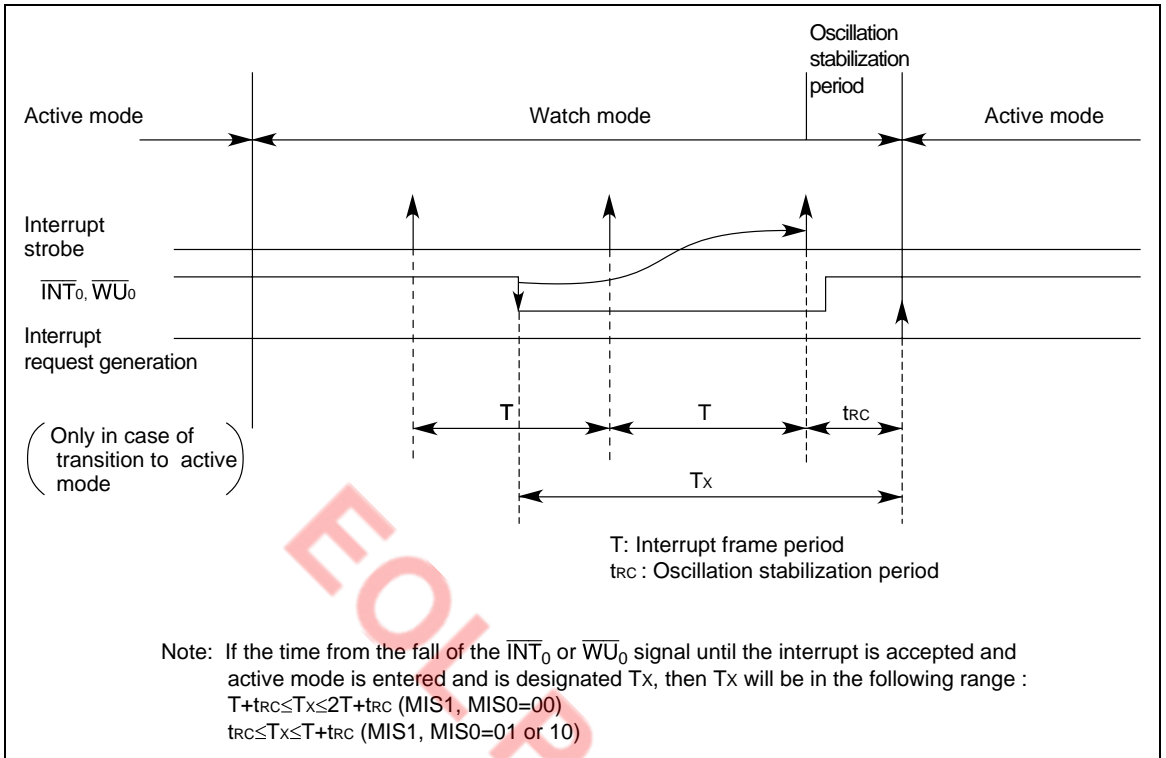


Figure 14 Interrupt Frame

Miscellaneous Register (MIS: \$005)				
Bit	3	2	1	0
Read/Write	W	W	W	W
Reset	0	0	0	0
Bit name	MIS3	Not used*4	MIS1*1	MIS0*1

MIS1	MIS0	Interrupt Frame period $T_{(ms)}$ *2	Oscillation Settling Time $trc_{(ms)}$ *2	Oscillator Circuit Condition
0	0	0.24414	0.12207(0.24414)*3	External clock input, CR oscillation frequency
	1	3.90625	7.8125	Ceramic resonator
1	0	3.90625	31.25	Crystal resonator
	1	Not used		

Notes: *1. Applies to HD404374 series.
 *2. T and trc values are for use of a 32.768 kHz crystal oscillator at the X1-X2 pins.
 *3. This value applies only in case of direct transition operation.
 *4. Must always be cleared to 0. Setting to 1 will cause incorrect operation.

Figure 15 Miscellaneous Register (MIS)

Direct transition from subactive to active mode (Applies to HD404374 Series):

A direct transition can be made from subactive mode to active mode by controlling the direct transfer on flag (DTON: \$020,3) and low speed on flag (LSON: \$020,0). The procedure is shown below.

- (a) Set LSON = 0 and DTON = 1 in subactive mode.
- (b) Execute a STOP or SBY instruction.
- (c) After the lapse of the MCU internal processing time and the oscillation settling time, the MCU automatically switches from subactive mode to active mode (figure 16).

Notes: 1. The DTON flag (\$020,3) can be set in only subactive mode. It is always in the reset state in active mode.

2. The condition for transition time T_D from the subactive mode to active mode is as follows:

$$t_{RC} < T_D < T + t_{RC}$$

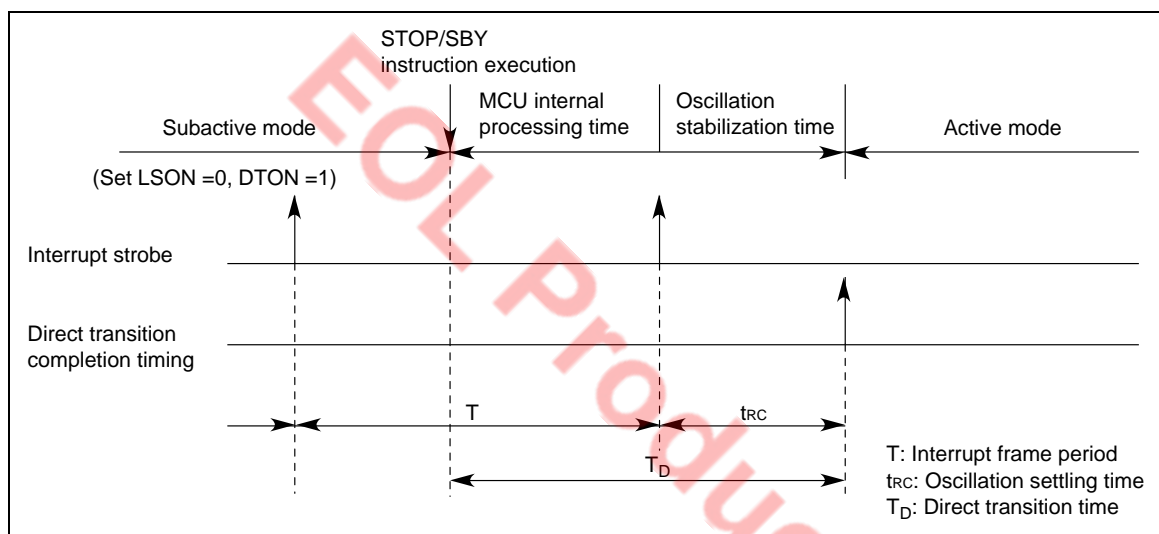


Figure 16 Direct Transition Timing

MCU operation sequence:

The MCU operates in accordance with the flowchart shown in figure 17. $\overline{\text{RESET}}$ input is asynchronous input, and the MCU immediately enters the reset state upon $\overline{\text{RESET}}$ input, regardless of its current state.

In the low-power mode operation sequence, if a STOP/SBY instruction is executed while the IE flag is cleared and the interrupt flag is set, releasing the relevant interrupt mask, the STOP/SBY instruction is canceled (regarded as NOP) and the next instruction is executed. Therefore, when executing a STOP/SBY instruction, all interrupt flags must be cleared, or interrupts masked, beforehand.

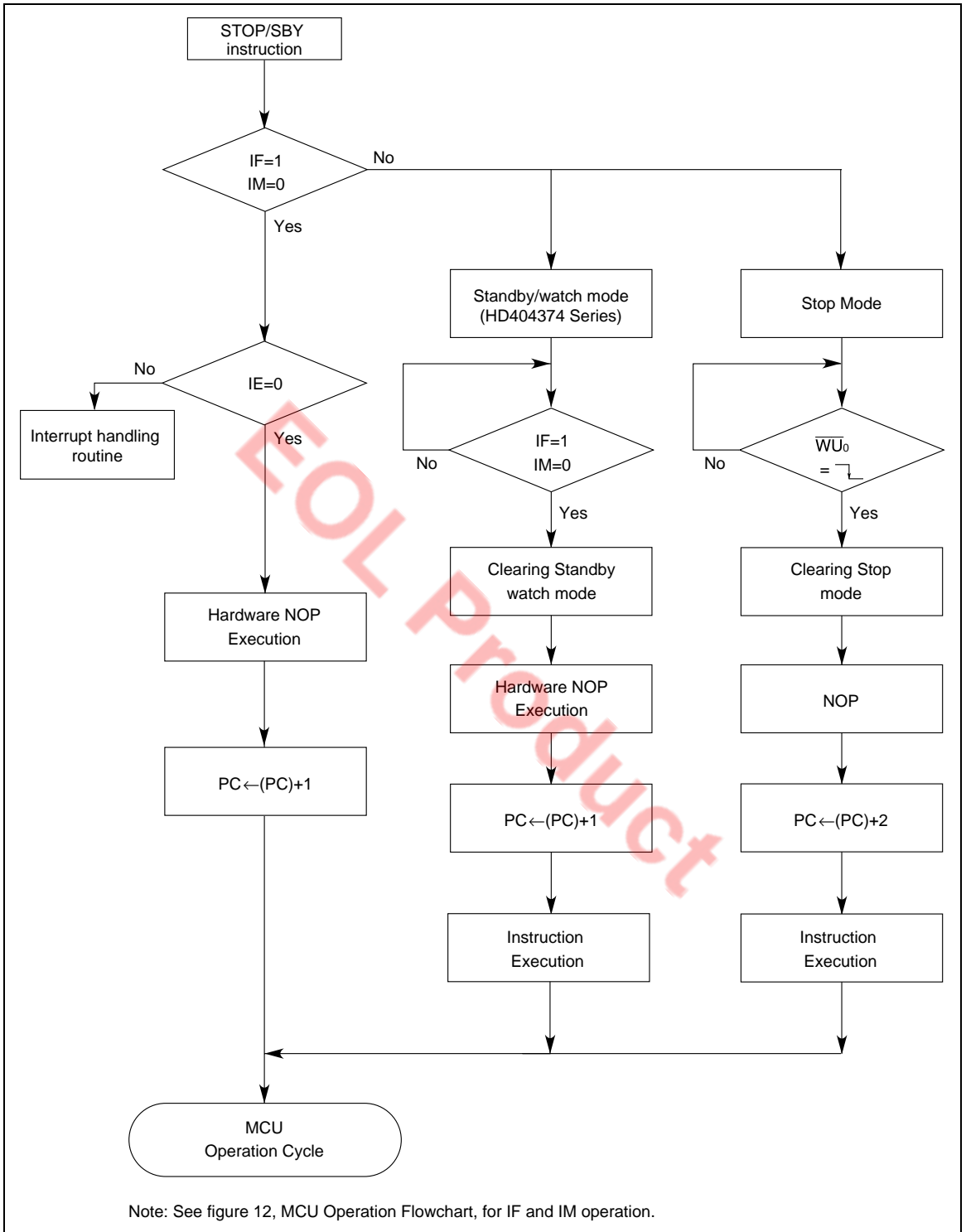


Figure 17 MCU Operating Sequence (Low-Power Mode Operation)

Usage notes (Applies to HD404374 Series):

In watch mode and subactive mode, an interrupt will not be detected correctly if the $\overline{\text{INT}}_0$ or $\overline{\text{WU}}_0$ high or low-level period is shorter than the interrupt frame period.

The MCU's edge sensing method is shown in figure 18. The MCU samples the $\overline{\text{INT}}_0$ and $\overline{\text{WU}}_0$ signals at regular intervals, and if consecutive sampled values change from high to low, it determines that a falling edge has been generated.

Interrupt detection errors occur since this sampling is performed at the interrupt frame period. If the high-level period of the $\overline{\text{INT}}_0$ or $\overline{\text{WU}}_0$ signal is within an interrupt frame, as shown in figure 19 (a), the signal will be low at point A and point B, with the result that the falling edge will not be recognized. Similarly, if the low-level period of the $\overline{\text{INT}}_0$ or $\overline{\text{WU}}_0$ signal is within an interrupt frame, as shown in figure 19 (b), the signal will be high at point A and point B, with the result that the falling edge will not be recognized.

In watch mode and subactive mode, therefore, ensure that the high-level and low-level periods of the $\overline{\text{INT}}_0$ and $\overline{\text{WU}}_0$ signals is at least as long as the interrupt frame period.

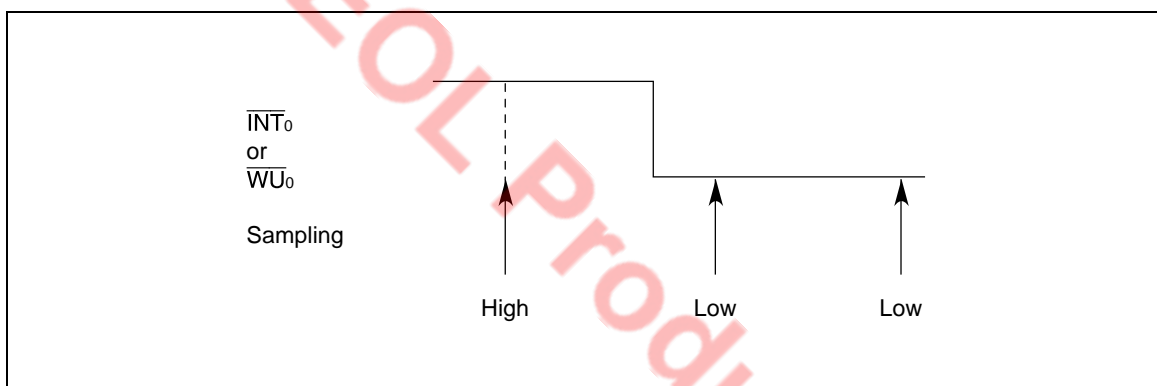


Figure 18 Edge Sensing Method

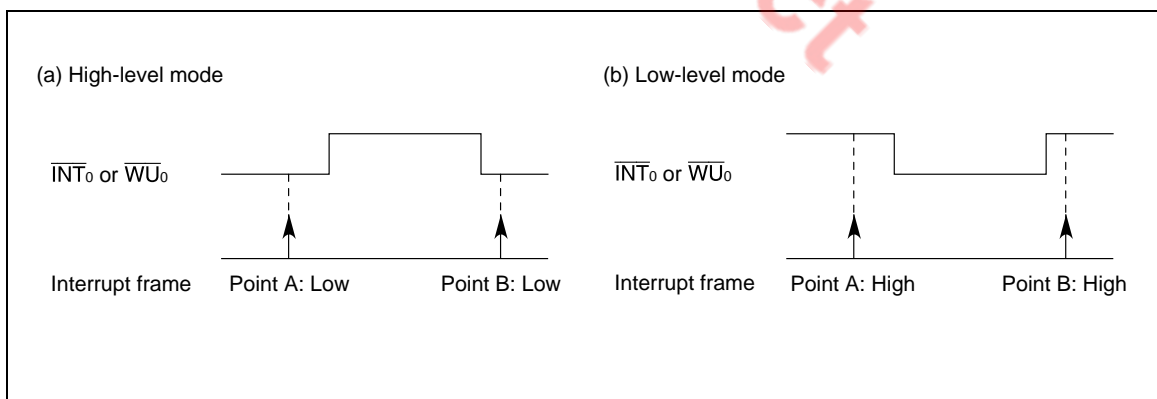


Figure 19 Sampling Examples

Internal Oscillator Circuit

Figure 20 shows the clock pulse generator circuit. As shown in table 21, a ceramic oscillator or crystal oscillator can be connected to OSC1 and OSC2, and a 32.768 kHz crystal oscillator can be connected to X1 and X2. External clock operation is possible for the system oscillator. CR oscillation for system oscillator is possible. CR oscillation function is optional. Set bit 1 (SSR1) of the system clock select register (SSR:\$004) according to the frequency of the oscillator connected to OSC1 and OSC2 (figure 22).

Note: If the setting of bit 1 in the system clock select register does not match the frequency of the system oscillator, the subsystem using 32.768 kHz oscillation will not operate correctly in the HD404374 Series.

Also, the CR oscillation frequency differs depending on the operating voltage and resistance value. Set bit 1 of the system clock select register to match the operating frequency. Note that if the frequency being used does not match the setting of bit 1 of the system clock select register, subsystems using the 32.768 kHz oscillation frequency will not operate correctly.

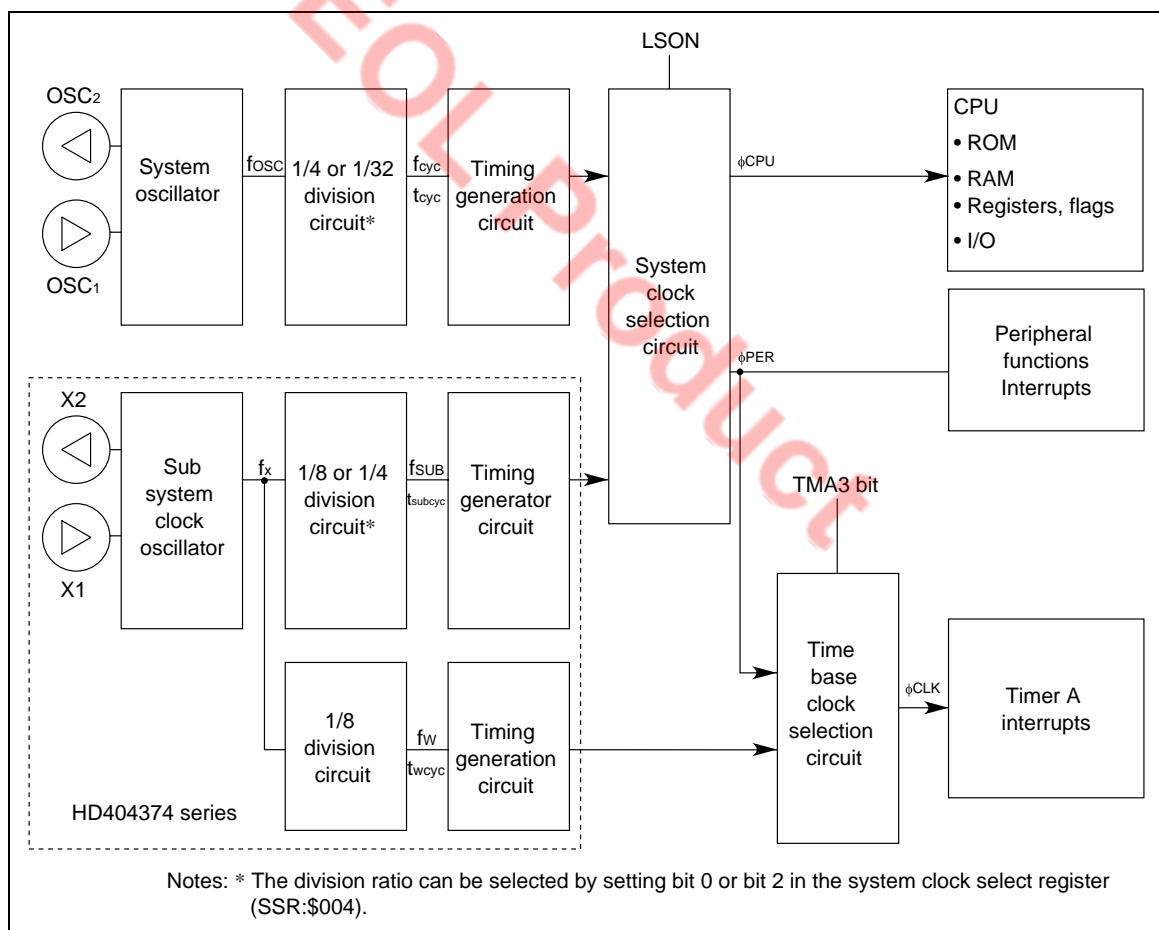


Figure 20 Clock Pulse Generator Circuit

System Clock Gear Function

The MCU has a built-in system clock gear function that allows the system clock divided by 4 or by 32 to be selected by software for the instruction execution time. Efficient power consumption can be achieved by operating at the divided-by-4 rate when high-speed processing is needed, and at the divided-by-32 rate at the other times. Figure 21 shows the system clock conversion method.

System clock conversion from division-by-4 to division-by-32 is performed as follows. First, make the division-by-32 setting (SSR0 write), then set the gear enable flag (GEF: \$021,3). This flag is used to distinguish between gear conversion and a transition to standby mode. Next, execute an SBY instruction. When the gear enable flag is not set, standby mode is entered; when this flag is set, gear conversion mode is entered. In this case a transition is made to standby mode for the duration of the gear conversion, but after the synchronization time has elapsed, a transition is made automatically to active mode. As soon as the transition is made to active mode, the gear enable flag is reset.

The same procedure is used for conversion from division-by-32 to division-by-4.

Clear all interrupts, then disable interrupts, before carrying out gear conversion. Incorrect operation may result if an interrupt is generated during gear conversion.

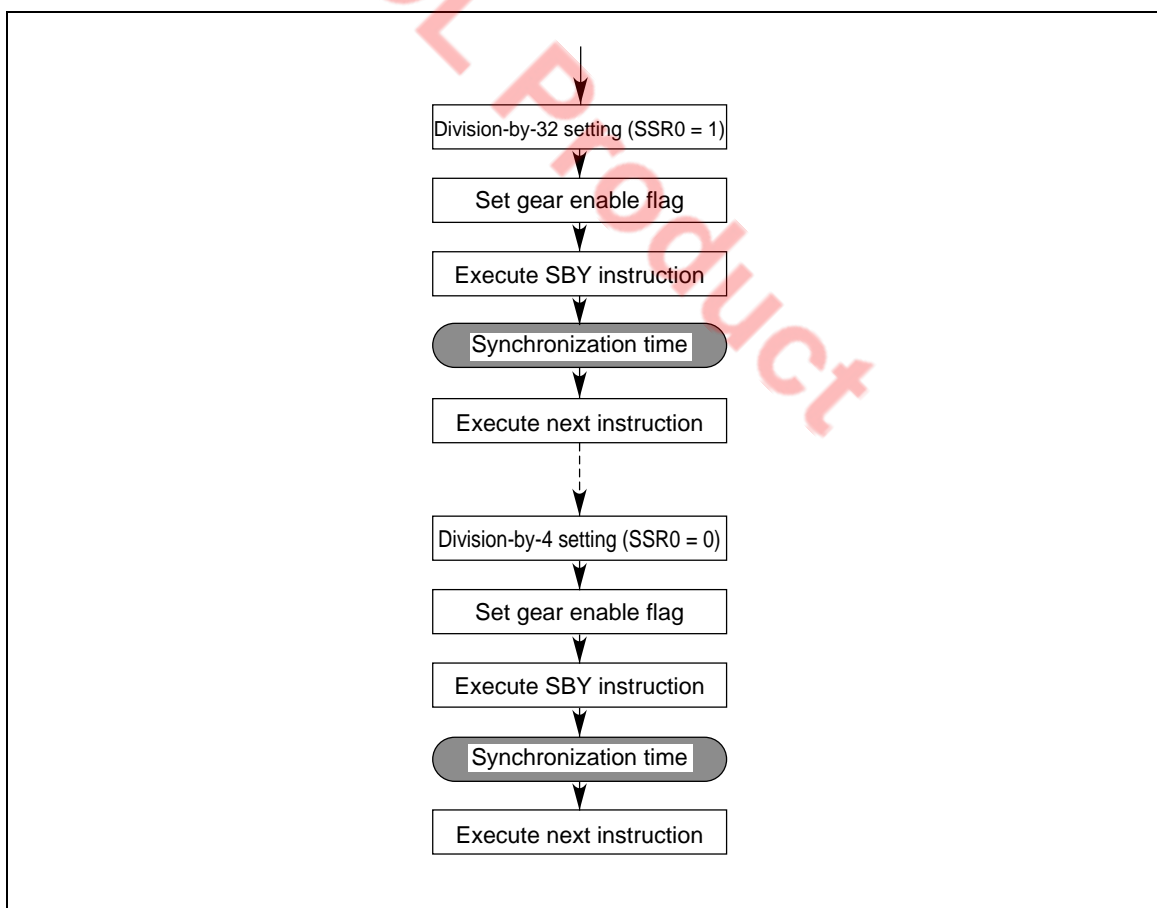


Figure 21 System Clock Division Ratio Conversion Flowchart

HD404374/HD404384/HD404389/HD404082/HD404084 Series

Make sure to set bit 3 of the system clock select register to 1 if the HD404374 series is being used without the subsystem clock, and on the HD404384, HD404389, HD404082, and HD404084 series. The microcomputer will malfunction if the setting is not 1.

System clock select register (SSR: \$004)

Bit	3	2	1	0
Read/Write	W	W	W	W
Initial value on reset	0	0	0	0
Bit name	SSR3	SSR2*	SSR1*	SSR0

System clock division ratio switch

0	Division-by-4 ($f_{cyc} - f_{osc}/4$)
1	Division-by-32 ($f_{cyc} - f_{osc}/32$)

System clock division ratio switch

0	$f_{osc}=0.4\text{--}1.0\text{MHz}$
1	$f_{osc}=1.6\text{--}8.5\text{MHz}$

Subsystem clock division ratio switch

0	$f_{SUB}=f_x/8$
1	$f_{SUB}=f_x/4$

Subsystem clock stop setting
(HD404374 Series)

0	Subsystem clock operates in stop mode
1	Subsystem clock stops in stop mode

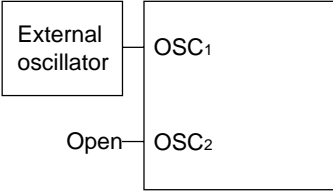
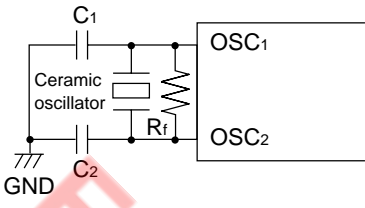
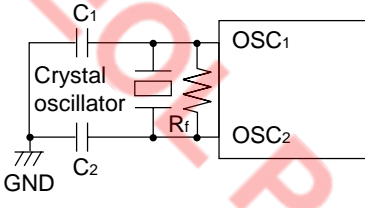
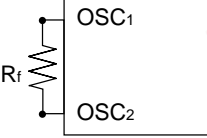
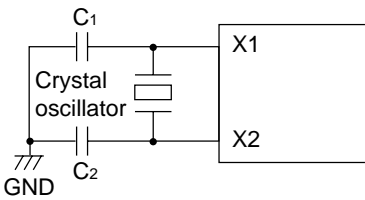
This bit must be set to 1 following power-on and reset if the HD404374 series is being used without the subsystem clock, and on the HD404384, HD404389, HD404082, and HD404084 series. If it is set to 0 (the initial value), malfunctioning may occur in the stop mode.

Note: * Applies to HD404374 Series.

The CR oscillation frequency differs depending on the operating voltage and resistance value. Set SSR1 to match the operating frequency. Note that if the frequency being used does not match the SSR1 setting, subsystems using the 32.768 kHz oscillation frequency will not operate correctly.

Figure 22 System Clock Select Register

Table 21 Oscillator Circuit Examples

Circuit Structure	Circuit Constants
<p>External clock operation</p> 	
<p>Ceramic oscillator (OSC₁, OSC₂)</p> 	<p>Ceramic oscillator: CSA4.00MG (Murata)</p> <p>$R_f = 1\text{M}\Omega \pm 20\%$ $C_1 = C_2 = 24\text{pF} \pm 20\%$</p>
<p>Crystal oscillator (OSC₁, OSC₂)</p> 	<p>$R_f = 1\text{M}\Omega \pm 20\%$ $C_1 = C_2 = 10\text{--}20\text{pF} \pm 20\%$</p>
<p>CR oscillator*⁴ (OSC₁, OSC₂)</p> 	<p>$R_f = 20\text{k}\Omega \pm 1\%$</p>
<p>Crystal oscillator (X1, X2) HD404374 Series</p> 	<p>Crystal: 32.768 kHz: MX38T (Nihon Denpa Kogyo)</p> <p>$C_1 = C_2 = 20\text{pF} \pm 20\%$</p>

- Notes:
1. With a crystal or ceramic oscillator, circuit constants will differ depending on the resonator, stray capacitance in the interconnecting circuit, and other factors. Suitable constants should be determined in consultation with the resonator manufacturer.
 2. Make the connections between the OSC₁ and OSC₂ pins (X1 and X2 pins) and external components as short as possible, and ensure that no other lines cross these lines (see layout example in figure 23).
 3. When 32.768 kHz crystal oscillation is not used, fix the X1 pin at V_{cc} and leave the X2 pin open.
 4. Applies to HD40C4372, HD40C4374, HD40C4382, HD40C4384, HD40C4388, HD40C4389, HD40C4081, HD40C4082, HCD40C4082, HD40C4084, HCD40C4084, HD407C4374 and HD407C4384.

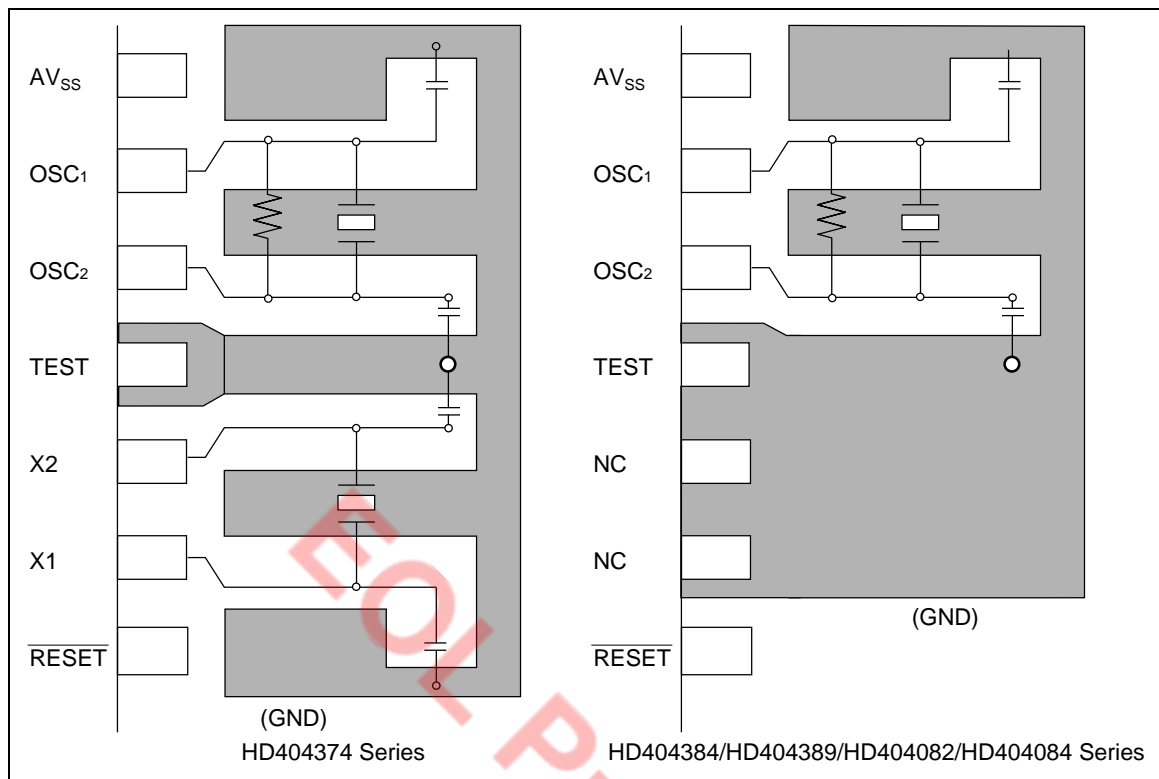


Figure 23 Typical Layouts of Crystal and Ceramic Oscillator

Input/Output

The MCU has 20 input/output pins (D_0 to D_9 , R_0 , $R1_0$, $R1_3$, $R2_0$ to $R2_2$, $R7_0$ to $R7_3$). The features of these pins are described below.

- The four pins D_0 to D_3 are source large-current (10 mA max.) I/O pins.
- The four pins D_4 to D_7 are sink large-current (15 mA max.) I/O pins.
- I/O pins comprise pins (D_0 , $R0_0$, $R1_0$, $R1_3$, $R2_0$ to $R2_2$, $R7_0$ to $R7_3$) that also have a peripheral function (timer, serial interface, etc.). With these pins, the peripheral function setting has priority over the D port or R port pin setting. When a peripheral function setting has been made for a pin, the pin function and input/output mode will be switched automatically in accordance with that setting.
- Selection of input or output for I/O pins, or selection of the port or peripheral function for pins multiplexed as peripheral function pins, is performed by the program.
- All output of the peripheral function pins are CMOS outputs. The SO pin and $R2_2$ port pin can be designated as NMOS open-drain output by the program.
- A reset clears peripheral function selection. And since the data control registers (DCD, DCR) are also reset, input/output pins go to the high-impedance state.
- Each I/O pin has a built-in pull-up MOS that can be turned on and off individually by the program.

Figure 24 shows the I/O buffer configuration, and table 22 shows I/O pin circuit configuration control by the program.

Table 23 shows the circuit configuration of each I/O pin.

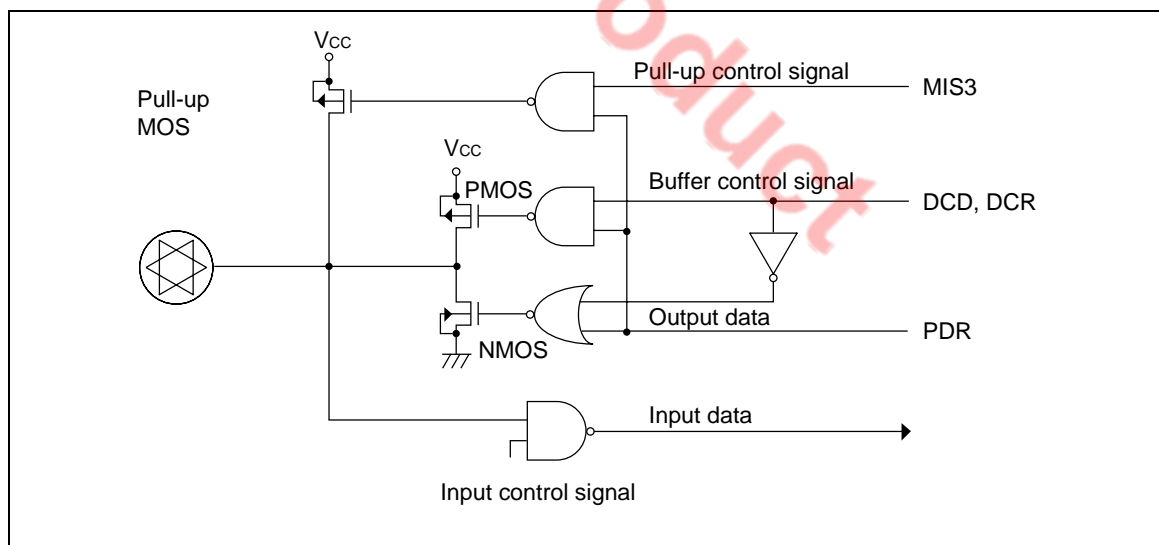


Figure 24 I/O Pin Circuit Configuration

Table 22 Programmable I/O Circuits

MIS3 (bit 3 of MIS)		0				1			
DCD,DCR		0		1		0		1	
PDR		0	1	0	1	0	1	0	1
CMOS buffer	PMOS	—	—	—	ON	—	—	—	ON
	NMOS	—	—	ON	—	—	—	ON	—
Pull-up MOS		—	—	—	—	—	ON	—	ON

Note: — : OFF

Table 23 Circuit Configurations of I/O Pins

Type	Circuit Configuration	Pins
I/O pins		D_0 - D_9 R_0 R_1 , R_1 ₃ R_2 , R_2 ₁
		R_2 R_7 , R_7 ₃ ^{*2}
		R_7 , R_7 ₃ AN_0 - AN_3 ^{*1}

Notes: In a reset, since the I/O control registers are reset, input/output pins go to the high-impedance state and peripheral function selections are cleared.

1. Applies to HD404374, HD404384, and HD404389 Series.
2. Applies to HD404082 and HD404084 Series.

Table 23 Circuit Configurations of I/O Pins (cont)

Type	Circuit Configuration	Pins
Peripheral function pins		SCK
Output pins		SO
		TOB, TOC
Input pins		RESET
		WU ₀ , INT ₀ , EVNB, SI
		AN ₄ , AN ₅ ^{*1}

Note: In a reset, since the I/O control registers are reset, input/output pins go to the high-impedance state and peripheral function selections are cleared.

1. Applies to HD404389 Series.

D Port

The D port consists of 10 I/O pins that are addressed bit-by-bit.

Ports D₀ to D₃ are source large-current I/O pins, and ports D₄ to D₇ are sink large-current I/O pins.

The D port can be set and reset by the SED and RED instructions or the SEDD and REDD instructions. Output data is stored in the port data register (PDR) for each pin. The entire D port can be tested by the TD or TDD instruction.

The D port output buffer is turned on and off by the D port data control registers (DCD0 to DCD2: \$030 to \$032). The DCD registers are mapped onto memory addresses (figure 25).

Port D₀ is multiplexed as interrupt input pin \overline{INT}_0 . Setting as interrupt pin is performed by bit 0 (PMR00) of port mode register 0 (PMR0: \$008) (figure 26).

Data control registers (DCD0–2 : \$030–\$032) (DCR0–2, 7 : \$034–\$036, \$03B)					
Register Name	Bit	3	2	1	0
DCDn (n=0 to 2)	Read/Write	W	W	W	W
	Reset	0	0	0	0
	Bit name	DCDn3	DCDn2	DCDn1	DCDn0
DCRm (m=0 to 2, 7)	Read/Write	W	W	W	W
	Reset	0	0	0	0
	Bit name	DCRm3	DCRm2	DCRm1	DCRm0
		All bits	CMOS buffer control		
		0	CMOS buffer off (high impedance)		
		1	CMOS buffer active		
Correspondence between each bit of DCD and DCR and ports					
Register Name	Bit 3	Bit 2	Bit 1	Bit 0	
DCD0	D ₃	D ₂	D ₁	D ₀	
DCD1	D ₇	D ₆	D ₅	D ₄	
DCD2	—	—	D ₉	D ₈	
DCR0	—	—	—	R ₀₀	
DCR1	R ₁₃	—	—	R ₁₀	
DCR2	—	R ₂₂	R ₂₁	R ₂₀	
DCR7	R ₇₃	R ₇₂	R ₇₁	R ₇₀	

Figure 25 Data Control Registers (DCD, DCR)

R Port

The R port consists of 10 I/O pins that are addressed in 4-bit units.

Input can be performed by means of the LAR and LBR instructions, and output by means of the LRA and LRB instructions. Output data is stored in the port data register (PDR) for each pin.

The R port output buffer is turned on and off by the R port data control registers (DCR0 to DCR2, DCR7: \$034 to \$036, \$03B). The DCR registers are mapped onto memory addresses (figure 25).

Port R₀ is multiplexed as wakeup input pin \overline{WU}_0 . Setting of this pin as peripheral function pins is performed by port mode register 1 (PMR1: \$009) (figure 27).

Port R₁ is multiplexed as peripheral function pin EVNB. Setting of this pin as peripheral function pins is performed by bit 0 (PMR20) of port mode register 2 (PMR2: \$00A) (figure 28).

Ports R₁ and R₂ are multiplexed as peripheral function pins TOB, and TOC, respectively. Setting of these pins as peripheral function pins is performed by bits 3 (PMR23) of port mode register 2 (PMR2: \$00A) and bit 0 (PMR30) of port mode register 3 (PMR3: \$00B)(figures 28 and 29).

Ports R₂ and R₂ are multiplexed as peripheral function pins \overline{SCK} and SI/SO, respectively. Setting of these pins as peripheral function pins is performed by bits 1 to 3 (PMR31 to PMR33) of port mode register 3 (PMR3: \$00B) (figure 29).

Ports R₇ to R₇ are multiplexed as peripheral function pins AN₀ to AN₃ (HD404374, HD404384, and HD404389 Series only). Setting of these pins as peripheral function pins is performed by bits 1 to 3 (AMR1 to AMR3) of the A/D mode register (AMR: \$028) (see figure 64 in section 8, A/D Converter).

Port mode register 0 (PMR0: \$008)				
Bit	3	2	1	0
Read/Write	—	—	—	W
Initial value on reset	—	—	—	0
Bit name	Not used	Not used	Not used	PMR00
				↑
				PMR00
				D₀/\overline{INT}_0 pin mode selection
				0 D ₀
				1 \overline{INT}_0

Figure 26 Port Mode Register 0 (PMR0: \$008)

Port mode register 1 (PMR1: \$009)				
Bit	3	2	1	0
Read/Write	—	—	—	W
Initial value on reset	—	—	—	0
Bit name	Not used	Not used	Not used	PMR10

PMR10	R0 ₀ /WU ₀ pin mode selection
0	R0 ₀
1	WU ₀

Figure 27 Port Mode Register 1 (PMR1: \$009)

Port mode register 2 (PMR2: \$00A)				
Bit	3	2	1	0
Read/Write	W	—	—	W
Initial value on reset	0	—	—	0
Bit name	PMR23	Not used	Not used	PMR20

PMR20	R1 ₀ /EVNB pin mode selection
0	R1 ₀
1	EVNB

PMR23	R1 ₃ /TOB pin mode selection
0	R1 ₃
1	TOB

Figure 28 Port Mode Register 2 (PMR2: \$00A)

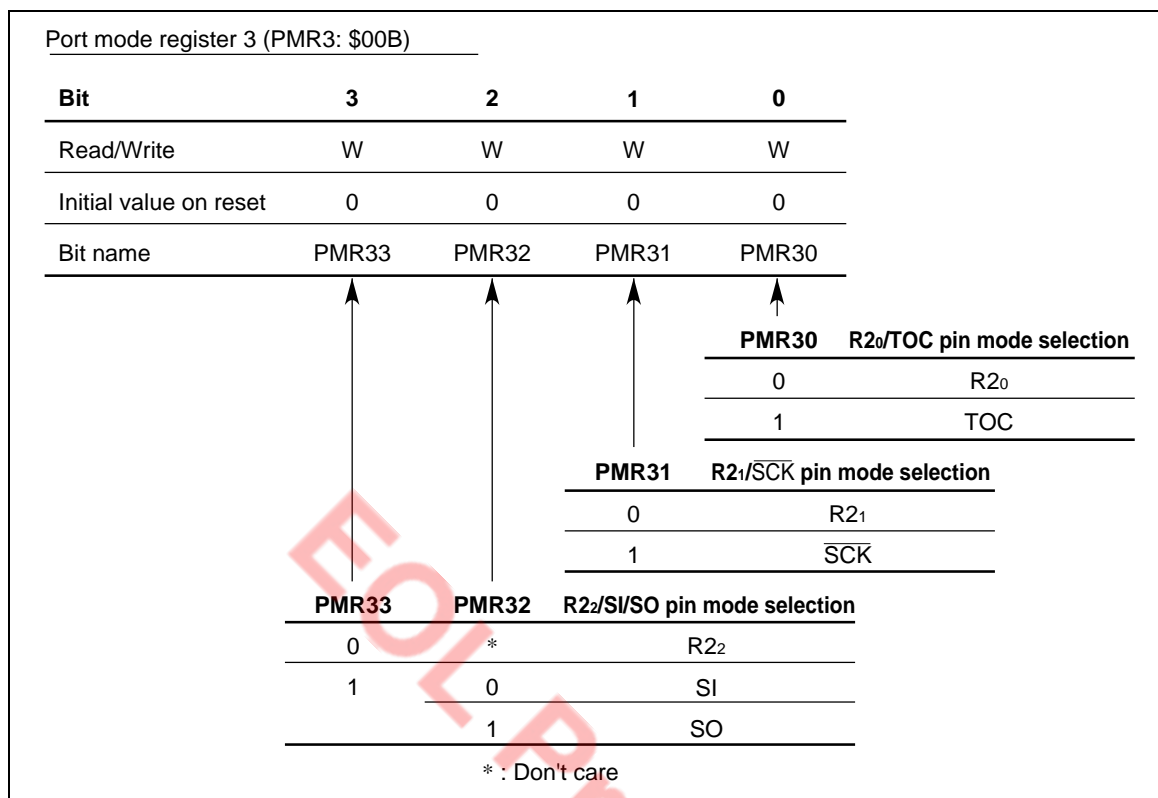


Figure 29 Port Mode Register 3 (PMR3: \$00B)

Pull-Up MOS Control

Program-controllable pull-ups MOS are incorporated in all I/O pins.

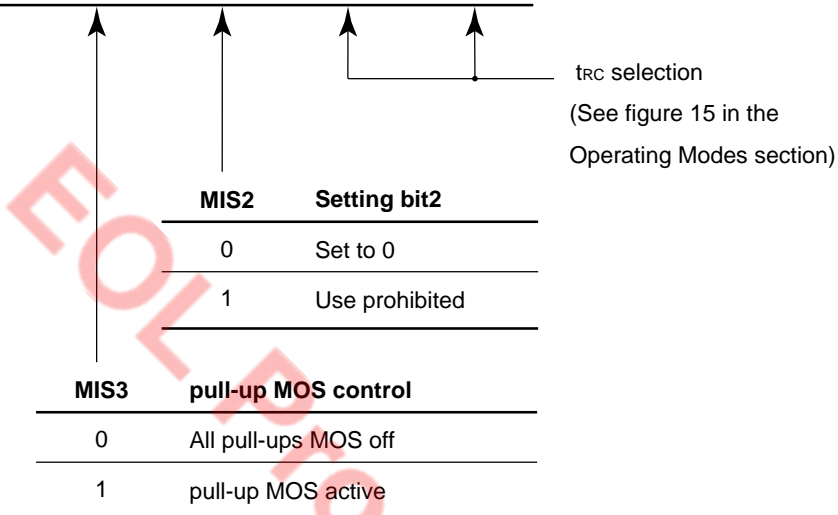
On/off control of all pull-ups MOS is performed by bit 3 (MIS3) of the miscellaneous register (MIS: \$005) and the port data register (PDR) for each pin, enabling the pull-up MOS to be turned on or off independently for each pin (table 22, figure 30).

Except for analog input multiplexed pins, the pull-up MOS on/off setting can be made independent of the setting as an on-chip supporting module pin.

Bit 2 of the miscellaneous register must always be set to 0. The microcomputer will malfunction if it is set to 1.

Miscellaneous register (MIS: \$005)

Bit	3	2	1	0
Read/Write	W	W	W	W
Initial value on reset	0	0	0	0
Bit name	MIS3	Not used*	MIS1	MIS0



Note: * This bit must always be set to 0. The microcomputer will malfunction if it is set to 1.

Figure 30 Miscellaneous Register (MIS:\$005)

Handling of I/O Pins Not Used by User System

If I/O pins that are not used by the user system are left floating, they may generate noise that can result in chip malfunctions. Therefore, the pin potential must be fixed.

In this case, pull the pins up to V_{cc} with the built-in pull-up MOS or with an external resistor of approximately 100 k Ω .

Prescalers

The MCU has the following prescalers, S and W (HD404374 Series).

The operating conditions for each prescaler are shown in table 24, and the output supply destinations in figure 31.

Timer A to C input clocks other than external events, and serial transfer clocks other than external clocks are selected from the prescaler outputs in accordance with the respective mode register.

Prescaler Operation

Prescaler S (PSS):

Prescaler S is an 11-bit counter that has the system clock as input. When the MCU is reset, prescaler S is reset to \$000, then divides the system clock. Prescaler S operation is stopped by a reset by the MCU, and in stop mode and watch mode^{*1}. It does not stop in any other modes.

Prescaler W (PSW) (HD404374 Series):

Prescaler W is a counter that has a clock divided from the X1 input (32 kHz crystal oscillation) as input.

When the MCU is reset, prescaler W is reset to \$00, then divides the input clock. Prescaler W can also be reset by software.

Table 24 Prescaler Operating Conditions

Prescaler	Input Clock	Reset Conditions	Stop Conditions
Prescaler S	System clock in active and standby modes, subsystem clock in subactive mode ^{*1}	MCU reset, stop mode clearance	MCU reset, stop mode, watch mode ^{*1}
Prescaler W	Clock obtained by division-by-8 of 32.768 kHz oscillation by subsystem clock oscillator	MCU reset, software ^{*2}	MCU reset, stop mode

Notes: ^{*1} Applies to HD404374 Series

^{*2} If bits TMA3 to TMA1 in timer mode register A (TMA) are all set to 1, PSW is cleared to \$00.

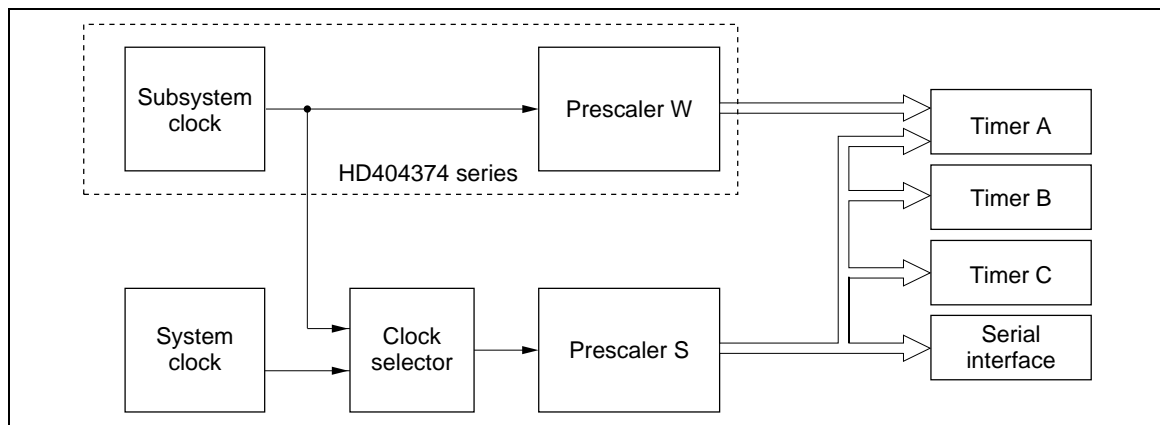


Figure 31 Prescaler Output Destinations

EOL Product

Timers

The MCU incorporates three timers, A to C.

- Timer A: Free-running timer
- Timer B: Multifunctional timer
- Timer C: Multifunctional timer

Timer A is an 8-bit free-running timer. Timers B and C are 8-bit multifunctional timers; Each one of their have the functions shown in table 25 and their operating mode can be set by the program.

Table 25 Timer Functions

Funcions		Timer A	Timer B	Timer C
Clock source	Prescaler S	Available	Available	Available
	Prescaler W*	Available	—	—
	External event	—	Available	—
Timer functions	Free-running	Available	Available	Available
	Time-base*	Available	—	—
	Event counter	—	Available	—
	Reload	—	Available	Available
	Watchdog	—	—	Available
Timer outputs	Toggle	—	Available	Available
	PWM	—	Available	Available

Note: — implies not available

* Applies to HD404374 Series

Timer A

Timer A Functions

Timer A has the following functions.

- Free-running timer
- Realtime clock time base

The block diagram of timer A is shown in figure 32.

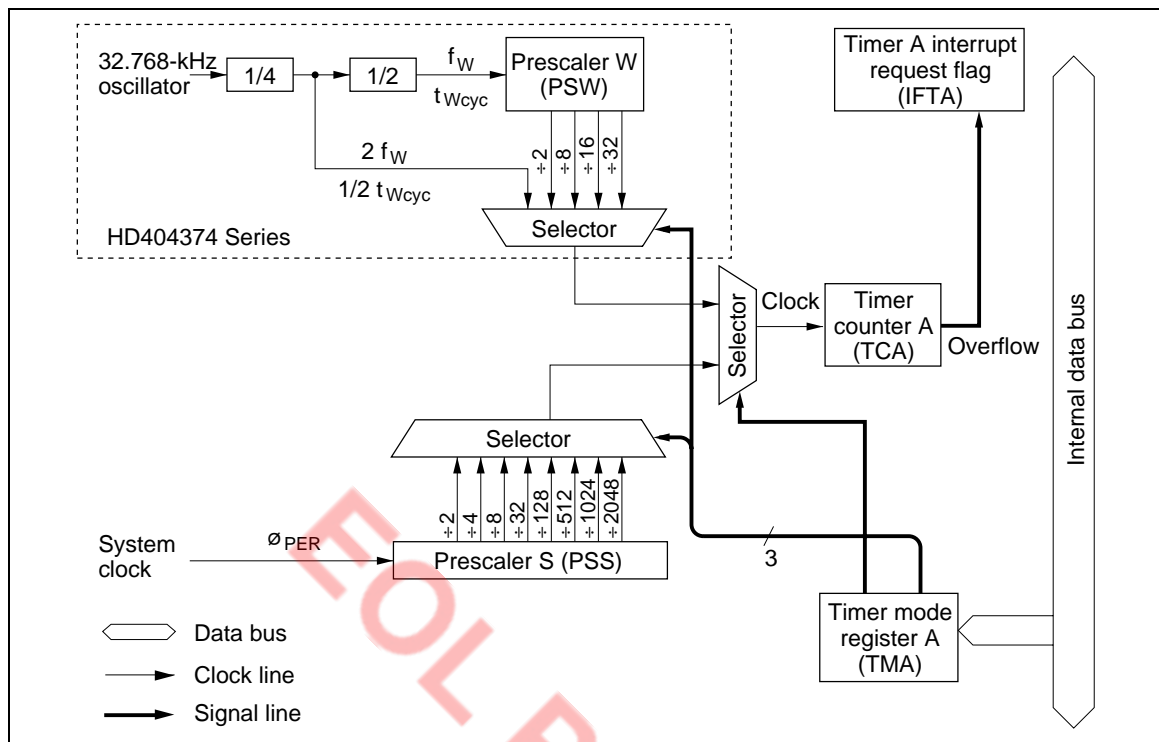


Figure 32 Timer A Block Diagram

Timer A Operation

Free-running timer operation:

The timer A input clock is selected by timer mode register A (TMA: \$00F).

Timer A is reset to \$00 by an MCU reset, and counts up each time the input clock is input. When the input clock is input after the timer A value reaches \$FF, overflow output is generated, and the timer A value becomes \$00. The generated overflow output sets the timer A interrupt request flag (IFTA: \$002,0). Timer A continues counting up after the count value returns to \$00, so that an interrupt is generated regularly every 256 input clock cycles.

Realtime clock time base operation (HD404374 Series):

Timer A can be used as the realtime clock time base by setting bit 3 (TMA3) of timer mode register A to 1. As the prescaler W output is input to timer/counter A, interrupts are generated with accurate timing using the 32.768 kHz crystal oscillator as the basic clock.

When timer A is used as the realtime clock time base, prescaler W and timer/counter A can be reset to \$00 by the program.

Timer A Register

Timer A operation is set by means of the following register.

Timer mode register A (TMA: \$00F):

Timer mode register A (TMA: \$00F) is a 4-bit write-only register. Timer A operation and input clock selection are set as shown in figure 33.

EOL Product

Timer mode register A (TMA: \$00F)

Bit	3	2	1	0
Read/Write	W	W	W	W
Initial value on reset	0	0	0	0
Bit name	TMA3*4	TMA2	TMA1	TMA0

TMA3*4	TMA2	TMA1	TMA0	Source prescaler	Input clock period	Operating mode
		0	0	PSS	2,048 t_{cyc}	Timer A mode
		1	0	PSS	1,024 t_{cyc}	
	0	0	0	PSS	512 t_{cyc}	
	0	1	0	PSS	128 t_{cyc}	
0		0	0	PSS	32 t_{cyc}	
		1	0	PSS	8 t_{cyc}	
	1	0	0	PSS	4 t_{cyc}	
		1	1	PSS	2 t_{cyc}	
		0	0	PSW	32 t_{wyc}	Time base mode
		1	0	PSW	16 t_{wyc}	
	0	0	0	PSW	8 t_{wyc}	
	0	1	0	PSW	2 t_{wyc}	
1		0	0	PSW	1/2 t_{wyc}	
	1	0	1	Not Used		
		1	x	PSW, TCA reset		

x : Don't care

- Notes :
1. $t_{wyc} = 244.14 \mu s$ (using 32.768 kHz crystal oscillator)
 2. Timer/counter overflow output period (s) = input clock period (s) \times 256.
 3. The division ratio must not be changed while time base mode is being used, as this will result in an error in the overflow period.
 4. Applies to HD404374 Series. In HD404384, HD404389, HD404082 and HD404084 Series, write as 0.

Figure 33 Timer Mode Register A (TMA)

Timer B

Timer B Functions: Timer B has the following functions.

- Free-running/reload timer
- External event counter
- Timer output operation (toggle output, PWM output)

The block diagram of timer B is shown in figure 34.

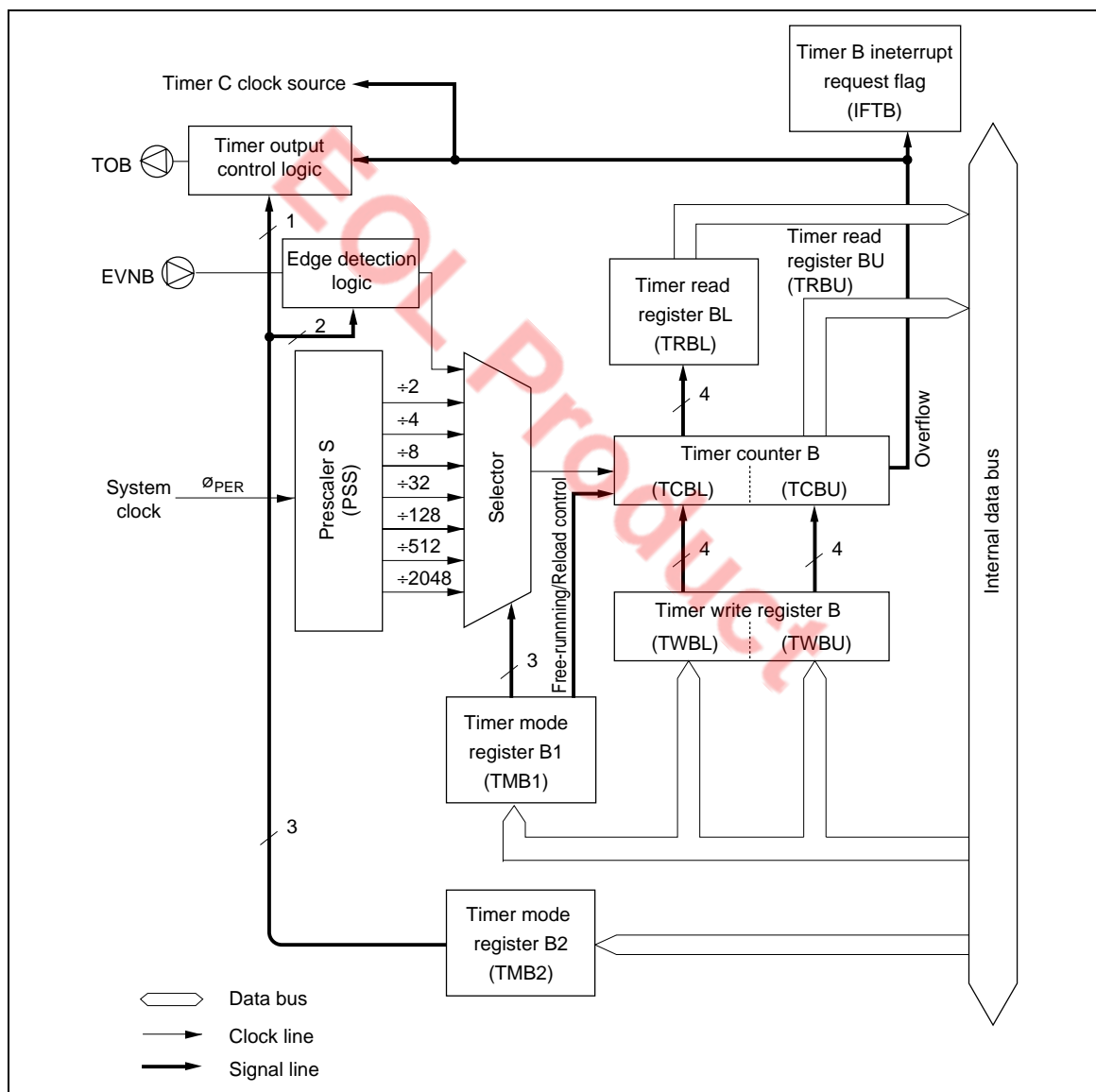


Figure 34 Timer B Block Diagram

Timer B Operation

- Free-running/reload timer:

Free-running/reload timer operation, the input clock source, and the prescaler division ratio are selected by means of timer mode register B1 (TMB1).

Timer B is initialized to the value written to timer write register B (TWBL, TWBU) by software, and counts up by 1 each time the input clock is input. When the input clock is input after the timer B value reaches \$FF, overflow output is generated. Timer B is then set to the value in timer write register B if the reload timer function is selected, or to \$00 if the free-running timer function is selected, and starts counting up again.

Overflow output sets the timer B interrupt request flag (IFTB). This flag is reset by the program or by an MCU reset.

For details, see figure 3, Interrupt Control Bit and Register Flag Area Configuration, and table 1, Initial Values after MCU Reset.

- External event counter operation:

When external event input is designated for the input clock, timer B operates as an external event counter. When external event input is used, the R1₀/EVNB pin is designated as the EVNB pin by port mode register 2 (PMR2).

The external event detected edge for timer B can be designated as a falling edge, rising edge, or both falling and rising edges in the input signal by means of timer mode register B2 (TMB2). If both falling and rising edges are selected, the input signal falling and rising edge interval should be at least 2tcyc.

Timer B counts up by 1 each time a falling edge is detected in the signal input at the EVNB pin. Other operations are the same as for the free-running/reload timer function.

- Timer output operation:

With timer B, the R13/TOB pin is designated as the TOB pin by the setting of bit 3 of port mode register 2 (PMR2), and toggle waveform output or PWM waveform output can be selected by timer mode register B2 (TMB2).

- Toggle output:

With toggle output, the output level is changed upon input of the next clock pulse after the timer B value reaches \$FF. Use of this function in combination with the reload timer allows a clock signal with any period to be output, enabling it to be used as buzzer output. The output waveform is shown in figure 35 (1).

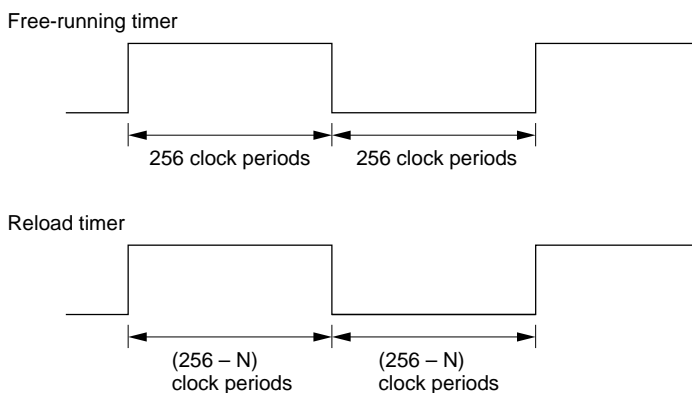
- PWM output:

With PWM output, variable-duty pulses are output. The output waveform is as shown in figure 35 (2), according to the contents of timer mode register B1 (TMB1) and timer write register B (TWBL, TWBU). When the waveform is output with bit 3 (TMB13) of timer mode register B1 cleared to 0, the write to timer write register B to change the duty is effective from the next frame, whereas if the waveform is output with the TMB13 bit set to 1 (reload setting), the next frame is output immediately after the timer write register write.

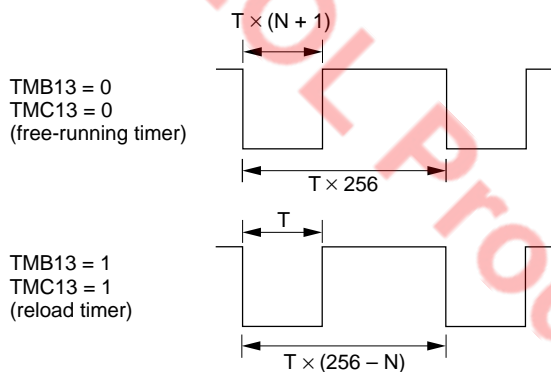
- Module standby:

With timer B, the supply of the system clock to the timer/counter can be halted by setting bit 0 of module standby register 1 (MSR1: \$00D) to 1. In the module standby state, the mode register value is retained but the counter value is not guaranteed.

(1) Toggle output waveform (timer B, timer C)



(2) PWM output waveform (timer B, timer C)



Notes: T: Counter input clock period

(The clock input source and division ratio are controlled by timer mode register B1 and timer mode register C1.)

N: Value in timer write register B or timer write register C

When $N = 255$ (= \$FF), PWM output is always fixed at the timer low level.)

Figure 35 Timer Output Waveforms

Timer B Registers

Timer B operation setting and timer B value reading/writing is controlled by the following registers.

Timer mode register B1 (TMB1: \$010)

Timer mode register B2 (TMB2: \$011)

Timer write register B (TWBL: \$012, TWBU: \$013)

Timer read register B (TRBL: \$012, TRBU: \$013)

Port mode register 2 (PMR2: \$00A)

Module standby register 1 (MSR1: \$00D)

- Timer mode register B1 (TMB1: \$010):

Timer mode register B1 (TMB1) is a 4-bit write-only register, used to select free-running/reload timer operation and the input clock as shown in figure 36.

Timer mode register B1 (TMB1) is reset to \$0 by an MCU reset:

A modification of timer mode register B1 (TMB1) becomes effective after execution of two instructions following the timer mode register B1 (TMB1) write instruction. The program must provide for timer B initialization by writing to timer write register B (TWBL, TWBU) to be executed after the post-modification mode has become effective.

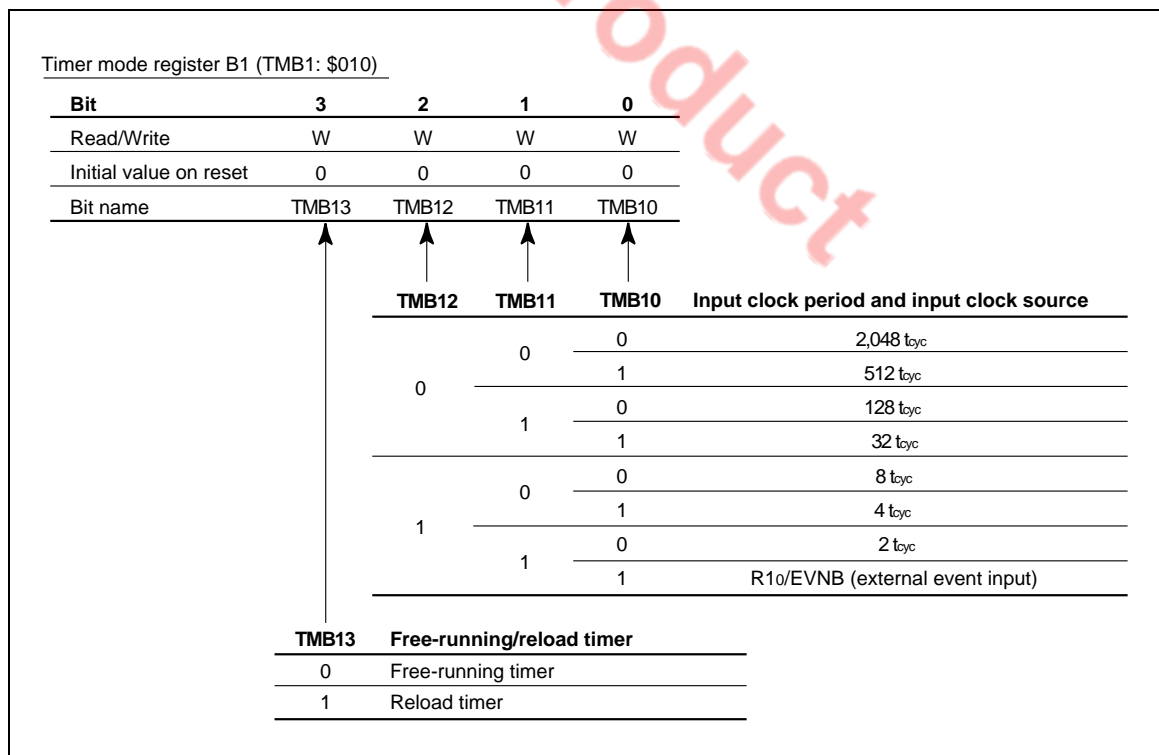


Figure 36 Timer Mode Register B1 (TMB1)

- Timer mode register B2 (TMB2: \$011):

Timer mode register B2 (TMB2) is a 3-bit write-only register, used to select the timer B output mode and EVNB pin detected edge as shown in figure 37.

Timer mode register B2 (TMB2) is reset to \$0 by an MCU reset.

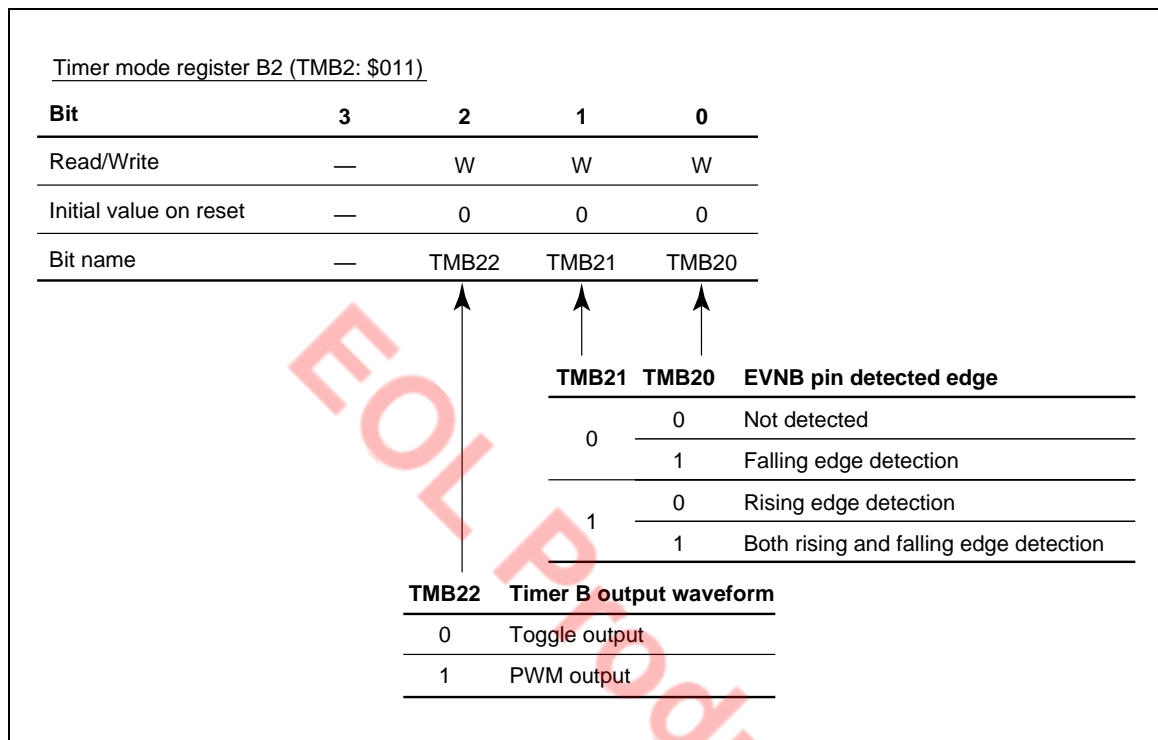


Figure 37 Timer Mode Register B2 (TMB2)

- Timer write register B (TWBL: \$012, TWBU:\$013):

Timer write register B (TWBL, TWBU) is a write-only register composed of a lower digit (TWBL) and an upper digit (TWBU) (figures 38 and 39).

The lower digit (TWBL) of timer write register B is reset to \$0 by an MCU reset, while the upper digit (TWBU) is undetermined.

Timer B can be initialized by writing to timer write register B (TWBL, TWBU). To write the data, first write the lower digit (TWBL). The lower digit write does not change the timer B value. Next, write the upper digit (TWBU). Timer B is then initialized to the timer write register B (TWBL, TWBU) value. When writing to timer write register B (TWBL, TWBU) from the second time onward, if it is not necessary to change the lower digit (TWBL) reload value, timer B initialization is completed by the upper digit write alone.

Timer write register B (lower) (TWBL: \$012)				
Bit	3	2	1	0
Read/Write	W	W	W	W
Initial value on reset	0	0	0	0
Bit name	TWBL3	TWBL2	TWBL1	TWBL0

Figure 38 Timer Write Register B (Lower) (TWBL)

Timer write register B (upper) (TWBU: \$013)				
Bit	3	2	1	0
Read/Write	W	W	W	W
Initial value on reset	Undetermined	Undetermined	Undetermined	Undetermined
Bit name	TWBU3	TWBU2	TWBU1	TWBU0

Figure 39 Timer Write Register B (Upper) (TWBU)

- Timer read register B (TRBL: \$012, TRBU: \$013):

Timer read register B (TRBL, TRBU) is a read-only register composed of a lower digit (TRBL) and an upper digit (TRBU) from which the value of the upper digit of timer B is read directly (figures 40 and 41).

First, read the upper digit (TRBU) of timer read register B. The current value of the timer B upper digit is read and, at the same time, the value of the timer B lower digit is latched in the lower digit (TRBL) of timer read register B. The timer B value is obtained when the upper digit (TRBU) of timer read register B is read by reading the lower digit (TRBL) of timer read register B.

Timer read register B (lower) (TRBL: \$012)				
Bit	3	2	1	0
Read/Write	R	R	R	R
Initial value on reset	Undetermined	Undetermined	Undetermined	Undetermined
Bit name	TRBL3	TRBL2	TRBL1	TRBL0

Figure 40 Timer Read Register B (Lower) (TRBL)

Timer read register B (upper) (TRBU: \$013)				
Bit	3	2	1	0
Read/Write	R	R	R	R
Initial value on reset	Undetermined	Undetermined	Undetermined	Undetermined
Bit name	TRBU3	TRBU2	TRBU1	TRBU0

Figure 41 Timer Read Register B (Upper) (TRBU)

- Port mode register 2 (PMR2: \$00A):
 Port mode register 2 (PMR2) is a write-only register used to set the function of the R1₀/EVNB and R1₃/TOB pins as shown in figure 42.
 Port mode register 2 (PMR2) is reset to \$0 by an MCU reset.

Port mode register 2 (PMR2: \$00A)				
Bit	3	2	1	0
Read/Write	W	—	—	W
Initial value on reset	0	—	—	0
Bit name	PMR23	Not used	Not used	PMR20

PMR23	R1 ₃ /TOB pin mode selection
0	R1 ₃
1	TOB

PMR20	R1 ₀ /EVNB pin mode selection
0	R1 ₀
1	EVNB

Figure 42 Port Mode Register 2 (PMR2: \$00A)

- Module standby register 1 (MSR1: \$00D):
 Module standby register 1 (MSR1) is a write-only register used to designate supply or stopping of the clock to timer B as shown in figure 43.
 Module standby register 1 (MSR1) is reset to \$0 by an MCU reset.

Module standby register 1 (MSR1: \$00D)

Bit	3	2	1	0
Read/Write	—	—	W	W
Initial value on reset	—	—	0	0
Bit name	Not used	Not used	MSR11	MSR10

MSR10	Timer B clock supply control
0	Supplied
1	Stopped

MSR11	Timer C clock supply control
0	Supplied
1	Stopped

Figure 43 Module Standby Register 1 (MSR1)

Timer C

Timer C Functions: Timer : C has the following functions.

- Free-running/reload timer
- Watchdog timer
- Timer output operation (toggle output, PWM output)

The block diagram of timer C is shown in figure 44.

EOL Product

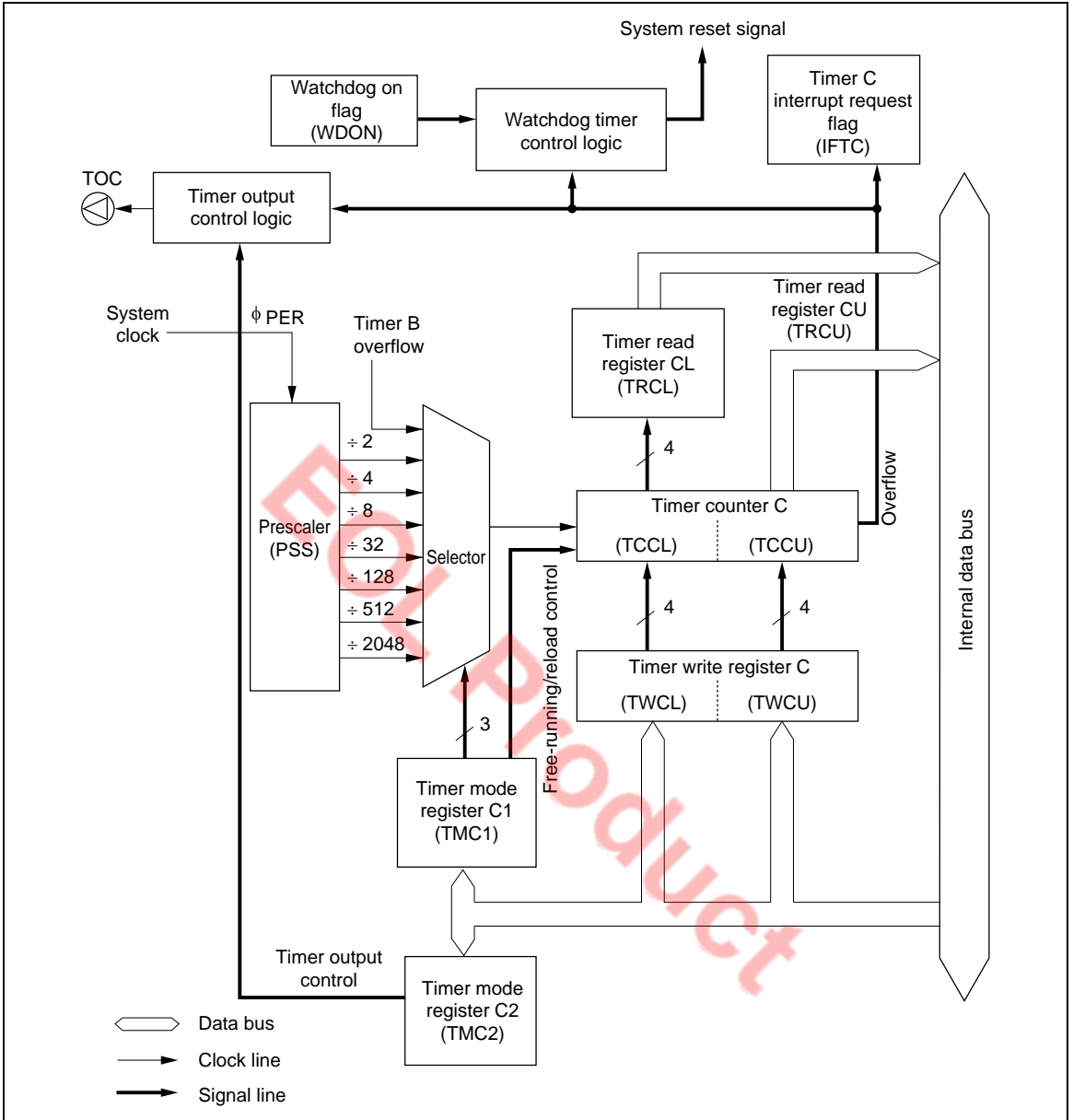


Figure 44 Timer C Block Diagram

Timer C Operation

- Free-running/reload timer:

Free-running/reload timer operation, the input clock source, and the prescaler division ratio are selected by means of timer mode register C1 (TMC1).

Timer C is initialized to the value written to timer write register C (TWCL, TWCU) by software, and counts up by 1 each time the input clock is input. When the input clock is input after the timer C value reaches \$FF, overflow output is generated. Timer C is then set to the value in timer write register C (TWCL, TWCU) if the reload timer function is selected, or to \$00 if the free-running timer function is selected, and starts counting up again.

Overflow output sets the timer C interrupt request flag (IFTC). This flag is reset by the program or by an MCU reset.

For details, see figure 3, Interrupt Control Bit and Register Flag Area Configuration, and table 1, Initial Values after MCU Reset.

- 16-bit timer operation:

When timer B overflow flag is selected as the clock source, timer C can be used as a 16-bit timer that counts the timer B clock source pulses. In this case, since the timer B and timer C free-running/reload settings are independent, the settings should be made to suit the purpose.

- Watchdog timer operation:

By using the timer C overflow output, timer C can be used as a watchdog timer for detecting program runaway. The watchdog timer is enabled when the watchdog on flag (WDON) is set to 1, and generates an MCU reset when timer C overflows. Usually, timer C initialization is performed by the program before the timer C value reaches \$FF, so controlling program runaway.

- Timer output operation:

With timer C, the R2₀/TOC pin is designated as the TOC pin by setting bit 0 of port mode register 3 (PMR3) to 1, and toggle waveform output or PWM waveform output can be selected by timer mode register C2 (TMC2).

— Toggle output

The operation is similar to that for timer B toggle output.

— PWM output

The operation is similar to that for timer B PWM output.

- Module standby:

The operation is similar to that for timer B module standby.

Timer C Registers

Timer C operation setting and timer C value reading/writing is controlled by the following registers.

Timer mode register C1 (TMC1: \$014)

Timer mode register C2 (TMC2: \$015)

Timer write register C (TWCL: \$016, TWCU: \$017)

Timer read register C (TRCL: \$016, TRCU: \$017)

Port mode register 3 (PMR3: \$00B)

Module standby register 1 (MSR1: \$00D)

- Timer mode register C1 (TMC1: \$014):

Timer mode register C1 (TMC1) is a 4-bit write-only register, used to select free-running/reload timer operation, the input clock, and the prescaler division ratio as shown in figure 45.

Timer mode register C1 (TMC1) is reset to \$0 by an MCU reset.

A modification of timer mode register C1 (TMC1) becomes effective after execution of two instructions following the timer mode register C1 (TMC1) write instruction. The program must provide for timer C initialization by writing to timer write register C (TWCL, TWCU) to be executed after the post-modification mode has become effective.

Timer mode register C1 (TMC1: \$014)

Bit	3	2	1	0
Read/Write	W	W	W	W
Initial value on reset	0	0	0	0
Bit name	TMC13	TMC12	TMC11	TMC10

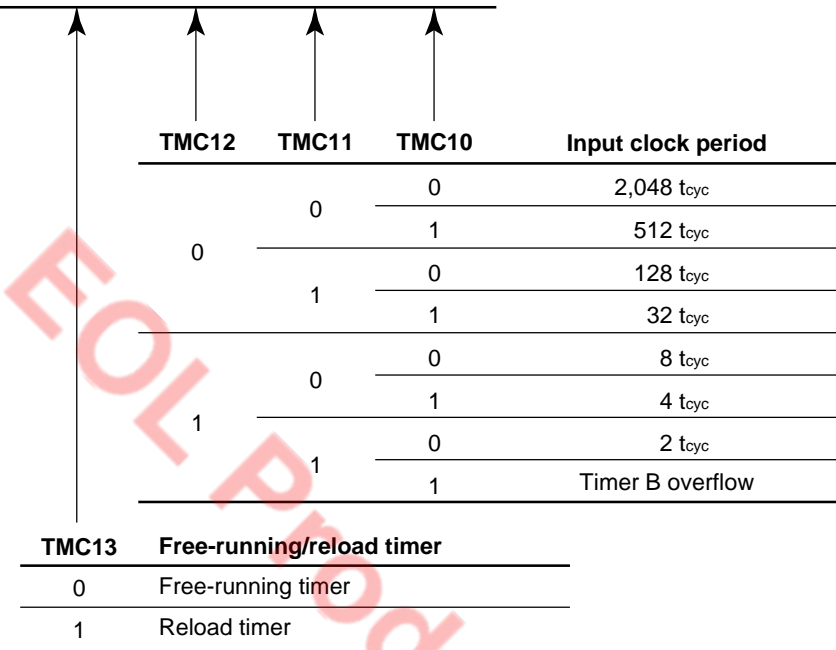


Figure 45 Timer Mode Register C1 (TMC1)

- Timer mode register C2 (TMC2: \$015):

Timer mode register C2 (TMC2) is a 1-bit write-only register, used to select the timer C output mode as shown in figure 46.

Timer mode register C2 (TMC2) is reset to \$0 by an MCU reset.

Timer mode register C2 (TMC2: \$015)				
Bit	3	2	1	0
Read/Write	—	W	—	—
Initial value on reset	—	0	—	—
Bit name	—	TMC22	—	—

TMC22	Timer C output waveform
0	Toggle output
1	PWM output

Figure 46 Timer Mode Register C2 (TMC2)

- Timer write register C (TWCL: \$016, TWCU: \$017):

Timer write register C (TWCL, TWCU) is a write-only register composed of a lower digit (TWCL) and an upper digit (TWCU) (figures 47 and 48).

Timer write register C (TWCL, TWCU) operation is similar to that for timer write register B (TWBL, TWBU).

Timer write register C (lower) (TWCL: \$016)				
Bit	3	2	1	0
Read/Write	W	W	W	W
Initial value on reset	0	0	0	0
Bit name	TWCL3	TWCL2	TWCL1	TWCL0

Figure 47 Timer Write Register C (Lower) (TWCL)

Timer write register C (upper) (TWCU: \$017)

Bit	3	2	1	0
Read/Write	W	W	W	W
Initial value on reset	Undetermined	Undetermined	Undetermined	Undetermined
Bit name	TWCU3	TWCU2	TWCU1	TWCU0

Figure 48 Timer Write Register C (Upper) (TWCU)

- Timer read register C (TRCL: \$016, TRCU: \$017):

Timer read register C (TRCL, TRCU) is a read-only register composed of a lower digit (TRCL) and an upper digit (TRCU) from which the value of the upper digit of timer C is read directly (figures 49 and 50).

Timer read register C (TRCL, TRCU) operation is similar to that for timer read register B (TRBL, TRBU).

Timer read register C (lower) (TRCL: \$016)

Bit	3	2	1	0
Read/Write	R	R	R	R
Initial value on reset	Undetermined	Undetermined	Undetermined	Undetermined
Bit name	TRCL3	TRCL2	TRCL1	TRCL0

Figure 49 Timer Read Register C (Lower) (TRCL)

Timer read register C (upper) (TRCU: \$017)

Bit	3	2	1	0
Read/Write	R	R	R	R
Initial value on reset	Undetermined	Undetermined	Undetermined	Undetermined
Bit name	TRCU3	TRCU2	TRCU1	TRCU0

Figure 50 Timer Read Register C (Upper) (TRCU)

- Port mode register 3 (PMR3: \$00B):

Port mode register 3 (PMR3) is a write-only register used to set the function of the R2_v/TOC pin as shown in figure 51.

Port mode register 3 (PMR3) is reset to \$0 by an MCU reset.

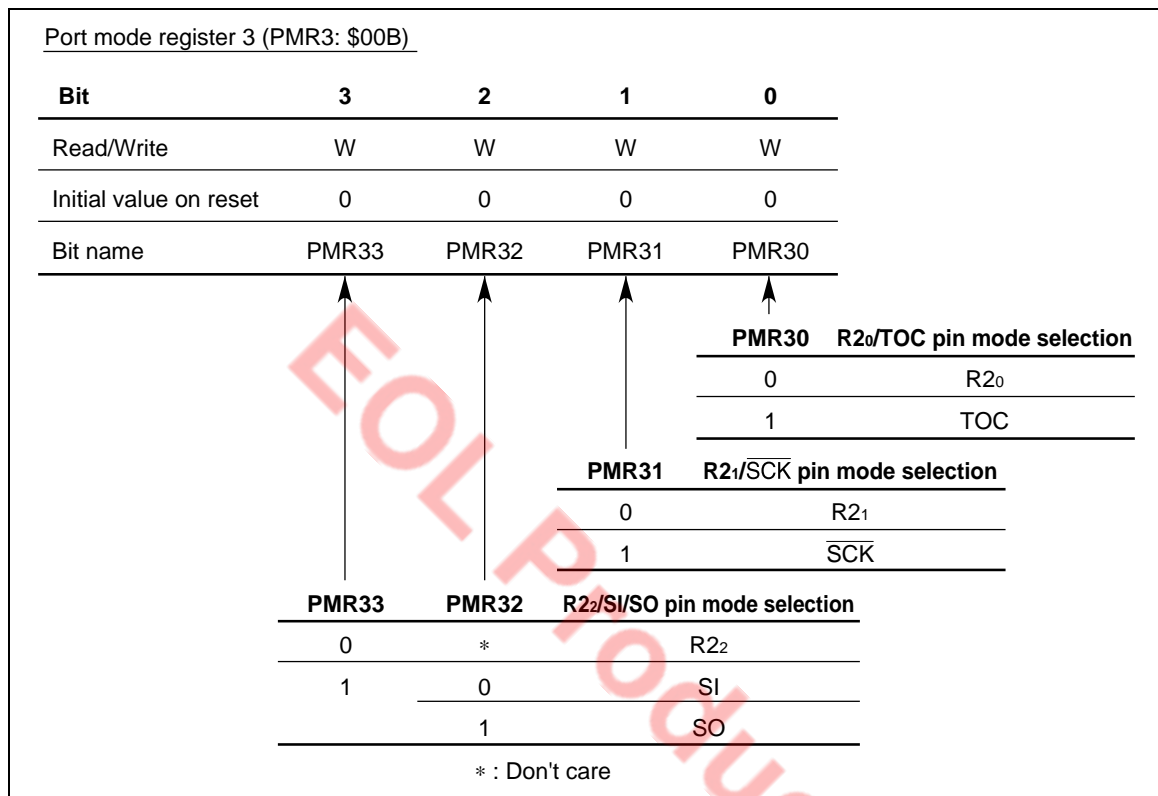


Figure 51 Port Mode Register 3 (PMR3)

- Module standby register 1 (MSR1: \$00D):

Module standby register 1 (MSR1) is a write-only register used to designate supply or stopping of the clock to timer C as shown in figure 43.

Module standby register 1 (MSR1) is reset to \$0 by an MCU reset.

Serial Interface

The serial interface serially transfers and receives 8-bit data, and includes the following features.

- Multiple transmit clock sources
 - External clock
 - Internal prescaler output clock
 - System clock
- Output level control in idle states

Five registers, an octal counter, and a multiplexer are also configured for the serial interface as follows.

- Serial data register (SRL: \$026, SRU: \$027)
- Serial mode register 1 (SMR1: \$024)
- Serial mode register 2 (SMR2: \$025)
- Port mode register 3 (PMR3: \$00B)
- Octal counter (OC)
- Selector

The block diagram of the serial interface is shown in figure 52.

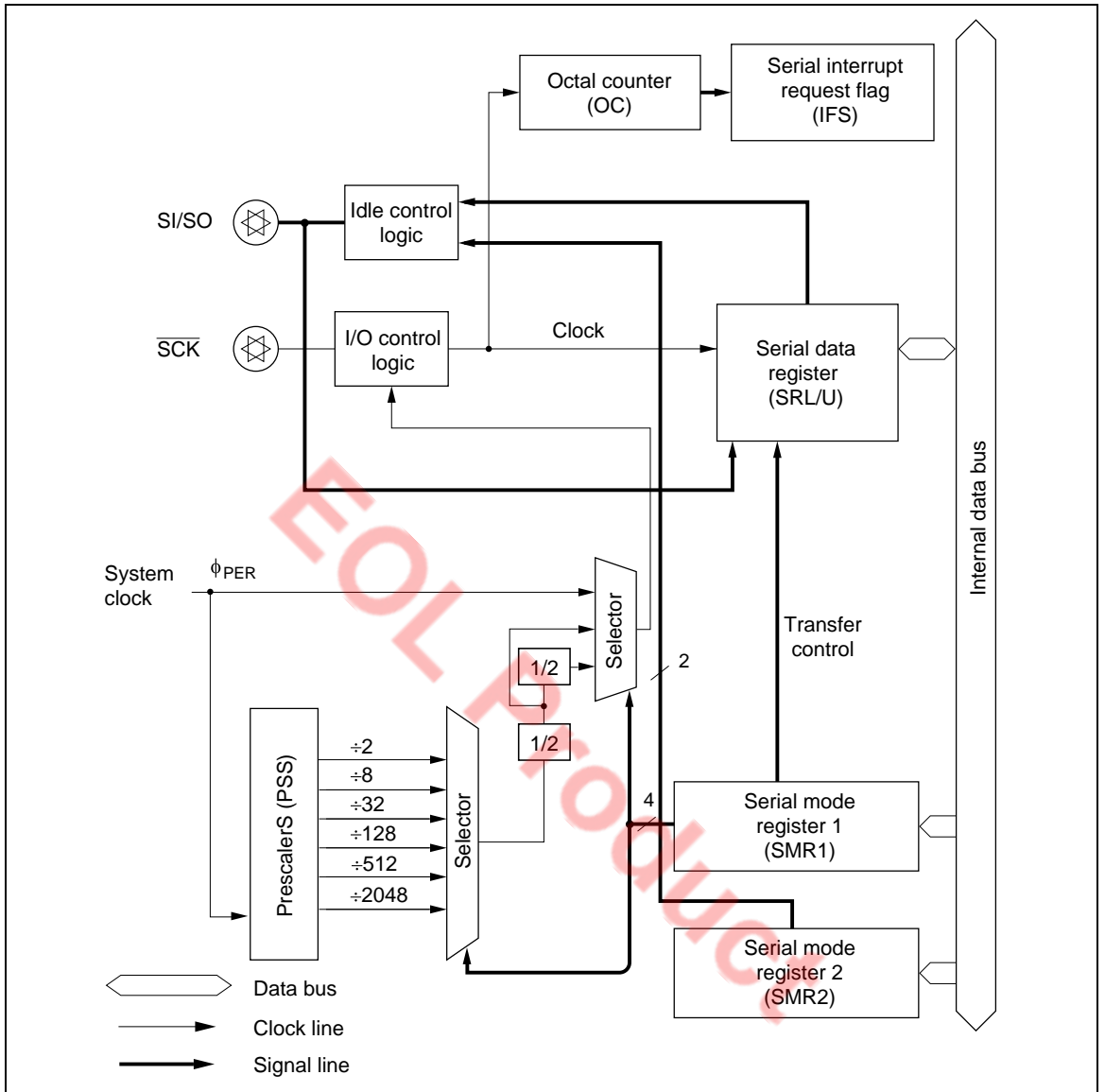


Figure 52 Serial Interface Block Diagram

Serial Interface Operation

Selecting and changing serial interface operating mode:

The operating modes that can be selected for the serial interface are shown in table 26. The combination of port mode register 3 (PMR3) values should be selected from this table. When the serial interface operating mode is changed, the serial interface internal state must be initialized by writing to serial mode register 1 (SMR1).

Note : The serial interface is initialized by writing to serial mode register 1 (SMR1: \$024). See figure 56 Serial Mode Register 1, for details.

Table 26 Serial Interface Operating Modes

PMR3

Bit3	Bit2	Bit1	Serial interface operating mode
0	*	1	Clock continuous output mode
1	0	1	Receive mode
1	1	1	Transmit mode

Note : * Don't care

Serial interface pin setting:

The R2₁/SCK pin and R2₂/SI/SO pin are set by writing data to port mode register 3 (PMR3). See Serial Interface Registers, for details.

Serial clock source setting:

The serial clock is set by writing data to serial mode register 1 (SMR1). See Serial Interface Registers, for details.

Serial data setting:

Transmit serial data is set by writing data to the serial data register (SRL, SRU).

Receive serial data is obtained by reading the serial data register (SRL, SRU). Serial data is shifted by means of the serial clock to perform input/output from/to an external device.

The output level of the SO pin is undetermined until the first data is output after a reset by the MCU, or until high/low control is performed in the idle state.

Transfer control:

Serial interface operation is started by an STS instruction. The octal counter is reset to 000 by the STS instruction, and is incremented by 1 on each rise of the serial clock. When 8 serial clock pulses have been input, or if data transmission/reception is suspended midway, the octal counter is reset to 000, the serial interrupt request flag (IFS) is set, and transfer is terminated.

The serial clock is selected by means of serial mode register 1 (SMR1). See figure 56.

Serial interface operating states:

The serial interface has the operating states shown in figure 53 in external clock mode and internal clock mode.

STS instruction wait state
Serial clock wait state
Transfer state
Clock continuous output state (internal clock mode only)

- STS instruction wait state
Upon MCU reset ((00) and (10) in figure 53), the serial interface enters the STS instruction wait state. In the STS instruction wait state, the internal state of the serial interface is initialized. Even if the serial clock is input at this time, the serial interface will not operate. When the STS instruction is executed ((01), (11)), the serial interface enters the serial clock wait state.
- Serial clock wait state
The serial clock wait state is the interval from STS instruction execution until the first serial clock falling edge. When the serial clock is input in the serial clock wait state ((02), (12)), the octal counter begins counting, the contents of the serial data register (SRL, SRU) begin shifting, and the serial interface enters the transfer state. However, if clock continuous output mode is selected in internal clock mode, the serial interface enters the clock continuous output state ((17)) instead of the transfer state.
If a write to serial mode register 1 (SMR1) is performed in the serial clock wait state, the serial interface enters the STS instruction wait state ((04), (14)).
- Transfer state
The transfer state is the interval from the first serial clock falling edge until the eighth serial clock rising edge. In the transfer state, if an STS instruction is executed or if eight serial clocks have been input, the octal counter is cleared to 000, and the serial interface makes a state transition. If an STS instruction is executed ((05), (15)), the serial interface enters the serial clock wait state. After eight serial clocks have been input, the serial interface enters the serial clock wait state ((03)) when in external clock mode, and enters the STS instruction wait state ((13)) when in internal clock mode.
In internal clock mode, the serial clock stops after output of eight clocks.
If a write to serial mode register 1 (SMR1) is performed in the transfer state ((06), (16)), the serial interface is initialized and enters the STS instruction wait state.
When the serial interface switches from the transfer state to another state, the octal counter is reset to 000 and the serial interrupt request flag (IFS) is set.
- Clock continuous output state (internal clock mode only)
In the clock continuous output state, no receive or transmit operation is performed, and the serial clock is only output from the \overline{SCK} pin. It is therefore effective in internal clock mode.
If the serial clock is input ((17)) when bit 3 (PMR33) of port mode register 3 (PMR3) is cleared to 0 and the serial interface is in the serial clock wait state, a transition is made to the clock continuous output state.
If a write to serial mode register 1 (SMR1) is performed in the clock continuous output state ((18)), the serial interface enters the STS instruction wait state.

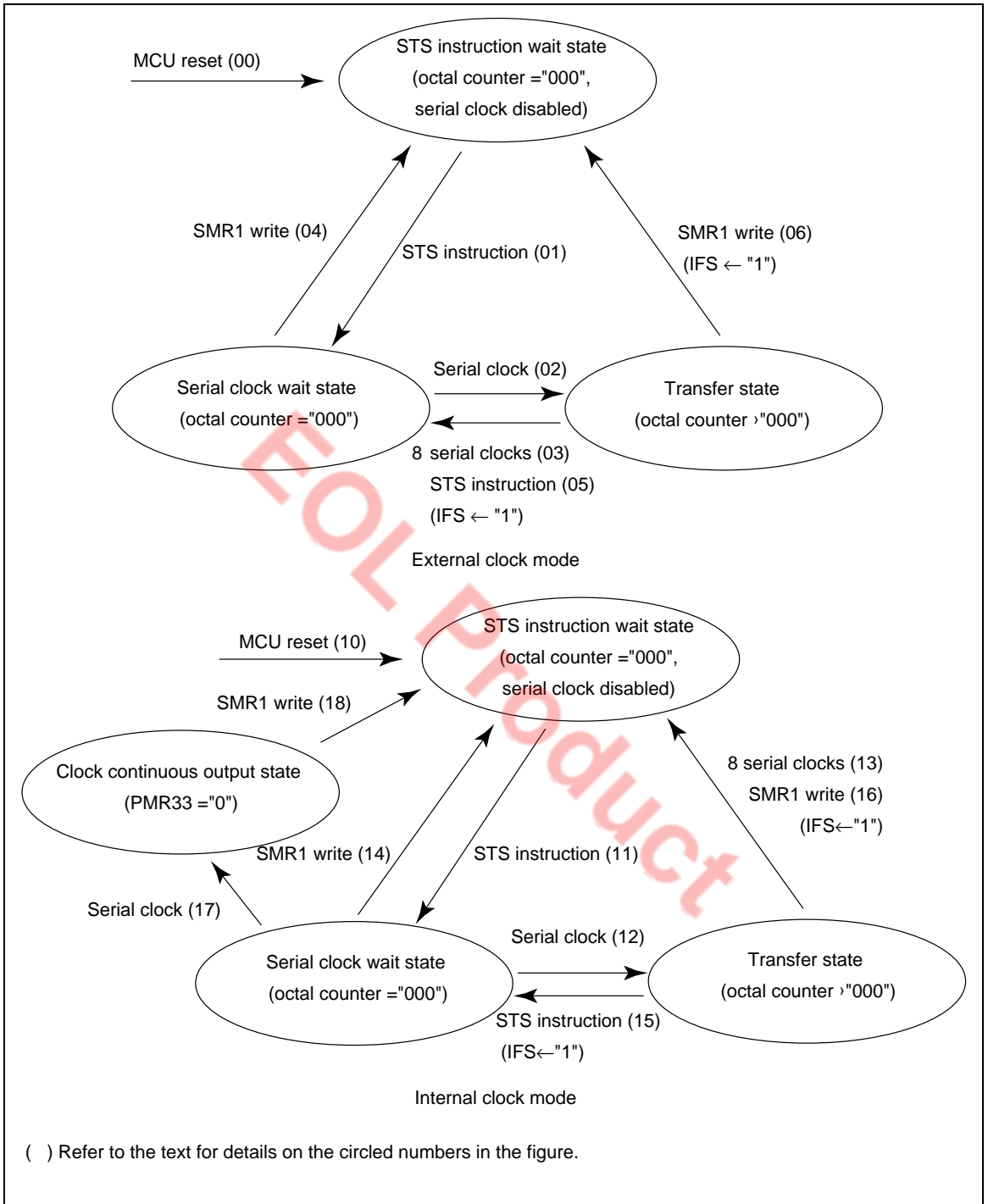


Figure 53 Serial Interface Operating States

Idle high/low control:

When the serial interface is in the STS instruction wait state or the serial clock wait state (i.e. when idle), the output level of the SO pin can be set arbitrarily by software. Idle high/low control is performed by writing the output level to bit 1 (SMR21) of serial mode register 2 (SMR2).

An example of idle high/low control is shown in figure 54. Idle high/low control cannot be performed in the transfer state.

EOL Product

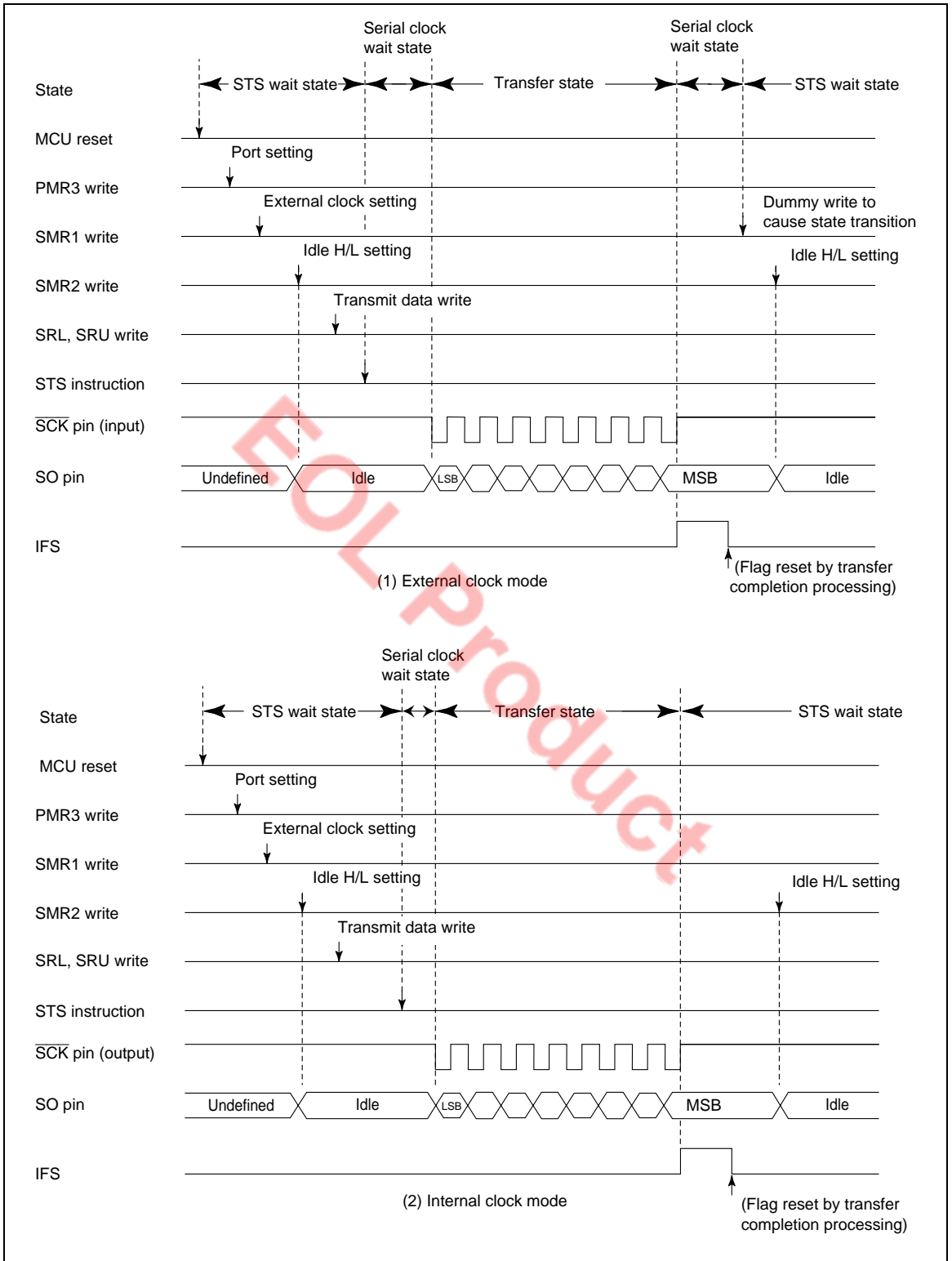


Figure 54 Examples of Serial Interface Operation Sequence

Serial clock error detection (external clock mode):

The serial interface will operate incorrectly in the transfer state if external noise results in unnecessary pulses being added to the serial clock. Serial clock error detection in such cases is carried out as shown in figure 55.

If more than eight serial clock pulses are input due to external noise while in the transfer state, at the eighth clock pulse (including any external noise pulses), the octal counter is cleared to 000 and the serial interrupt request flag (IFS) is set. At the same time, the serial interface exits the transfer state and enters the serial clock wait state, but returns to the transfer state at the next regular clock pulse falling edge.

Meanwhile, in the interrupt handling routine, transfer end processing is performed, the serial interrupt request flag is reset, and a dummy write is performed into serial mode register 1 (SMR1). The serial interface then returns to the STS wait state, and the serial interrupt request flag (IFS) is set again. It is therefore possible to detect a serial clock error by testing the serial interrupt request flag after the dummy write to serial mode register 1.

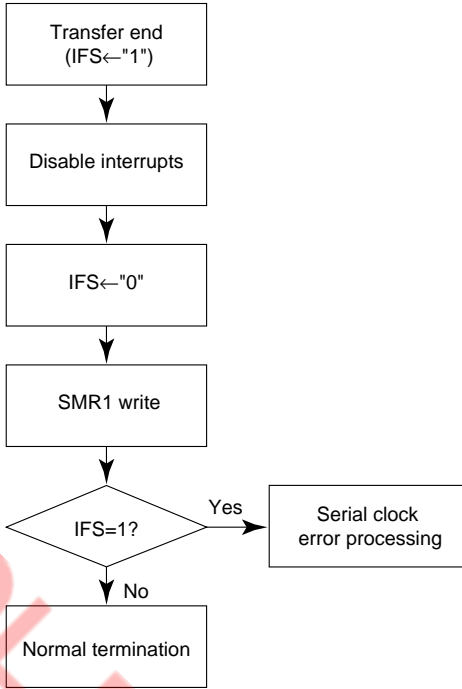
Usage notes:

- Initialization after register modification

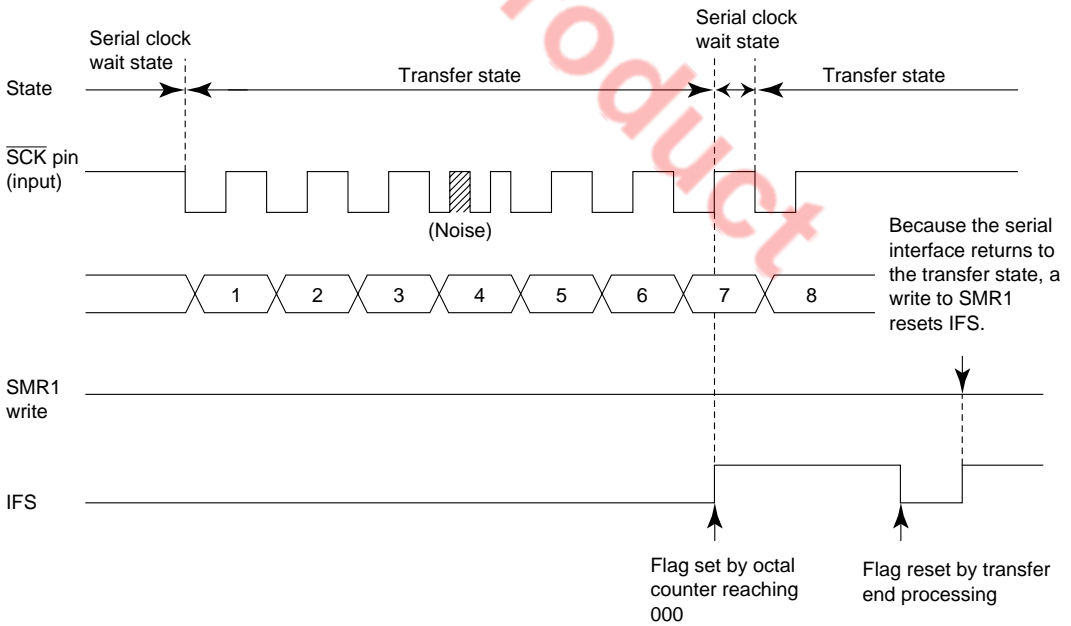
If a port mode register 3 (PMR3) write is performed in the serial clock wait state or transfer state, a serial mode register 1 (SMR1) write should be performed again to initialize the serial interface.

- Serial interrupt request flag (IFS:\$023, 2) setting

If a serial mode register 1 (SMR1) write or STS instruction is executed during the first low-level interval of the serial clock in the transfer state, the serial interrupt request flag (IFS) will not be set. To ensure that the serial interrupt request flag (IFS) is properly set in this case, programming is required to make sure that the \overline{SCK} pin is in the 1 state (by executing an input instruction for the R2 port) before executing a serial mode register 1 (SMR1) write or an STS instruction.



(1) Serial clock error detection flowchart



(2) Serial clock error detection sequence

Figure 55 Example of Serial Clock Error Detection

Serial Interface Registers

Serial interface operation setting and serial data reading/writing is controlled by the following registers.

Serial mode register 1 (SMR1: \$024)

Serial mode register 2 (SMR2: \$025)

Serial data register (SRL: \$026, SRU: \$027)

Port mode register 3 (PMR3: \$00B)

Module standby register 2 (MSR2: \$00E)

Serial mode register 1 (SMR1: \$024):

Serial mode register 1 (SMR1) has the following functions. See figure 56.

- Serial clock selection
- Prescaler division ratio selection
- Serial interface initialization

The serial mode register 1 (SMR1) is a 4-bit write-only register, and is reset to \$0 by an MCU reset.

A write to serial mode register 1 (SMR1) halts the supply of the serial clock to the serial data register (SRL, SRU) and the octal counter, and resets the octal counter to 000. Therefore, if serial mode register 1 (SMR1) is written to during serial interface operation, data transmission/reception will be suspended and the serial interrupt request flag (IFS) will be set.

A modification of serial mode register 1 (SMR1) becomes effective after execution of two instructions following the serial mode register 1 (SMR1) write instruction. The program must therefore provide for the STS instruction to be executed two cycles after the instruction that writes to serial mode register 1 (SMR1).

Serial mode register 1 (SMR1: \$024)

Bit	3	2	1	0
Read/Write	W	W	W	W
Initial value on reset	0	0	0	0
Bit name	SMR13	SMR12	SMR11	SMR10

SMR13	SMR12	SMR11	SMR10	SCK pin	Serial clock source	Serial clock (PSS division ratio + 2 or 4)	Serial clock cycle
		0	0	Output	PSS	$(\phi_{PER}/2048)+2$	4096 tcyc
		1	0	Output	PSS	$(\phi_{PER}/512)+2$	1024 tcyc
	0	0	0	Output	PSS	$(\phi_{PER}/128)+2$	256 tcyc
	0	1	0	Output	PSS	$(\phi_{PER}/32)+2$	64 tcyc
	0	0	1	Output	PSS	$(\phi_{PER}/8)+2$	16 tcyc
	0	1	1	Output	PSS	$(\phi_{PER}/2)+2$	4 tcyc
	1	0	0	Output	System clock	ϕ_{PER}	tcyc
	1	1	0	Input	External clock	_____	_____
		0	0	Output	PSS	$(\phi_{PER}/2048)+4$	8192 tcyc
		1	0	Output	PSS	$(\phi_{PER}/512)+4$	2048 tcyc
	0	0	0	Output	PSS	$(\phi_{PER}/128)+4$	512 tcyc
	0	1	0	Output	PSS	$(\phi_{PER}/32)+4$	128 tcyc
	0	0	1	Output	PSS	$(\phi_{PER}/8)+4$	32 tcyc
	0	1	1	Output	PSS	$(\phi_{PER}/2)+4$	8 tcyc
	1	0	0	Output	System clock	ϕ_{PER}	tcyc
	1	1	0	Output	System clock	ϕ_{PER}	tcyc
		1	1	Input	External clock	_____	_____

Figure 56 Serial Mode Register 1 (SMR1)

Serial mode register 2 (SMR2: \$025):

Serial mode register 2 (SMR2) has the following functions. See figure 57.

- R2₂/SI/SO pin PMOS control
- Idle high/low control

Serial mode register 2 (SMR2) is a 2-bit write-only register. The register value cannot be modified in the transfer state.

Bit 2 (SMR22) of serial mode register 2 (SMR2) controls the on/off status of the R2₂/SI/SO pin PMOS. The bit 2 (SMR22) only is reset to 0 by an MCU reset.

Bit 1 (SMR21) of serial mode register 2 (SMR2) performs SO pin high/low control in the idle state. The SO pin changes at the same time as the high/low write.

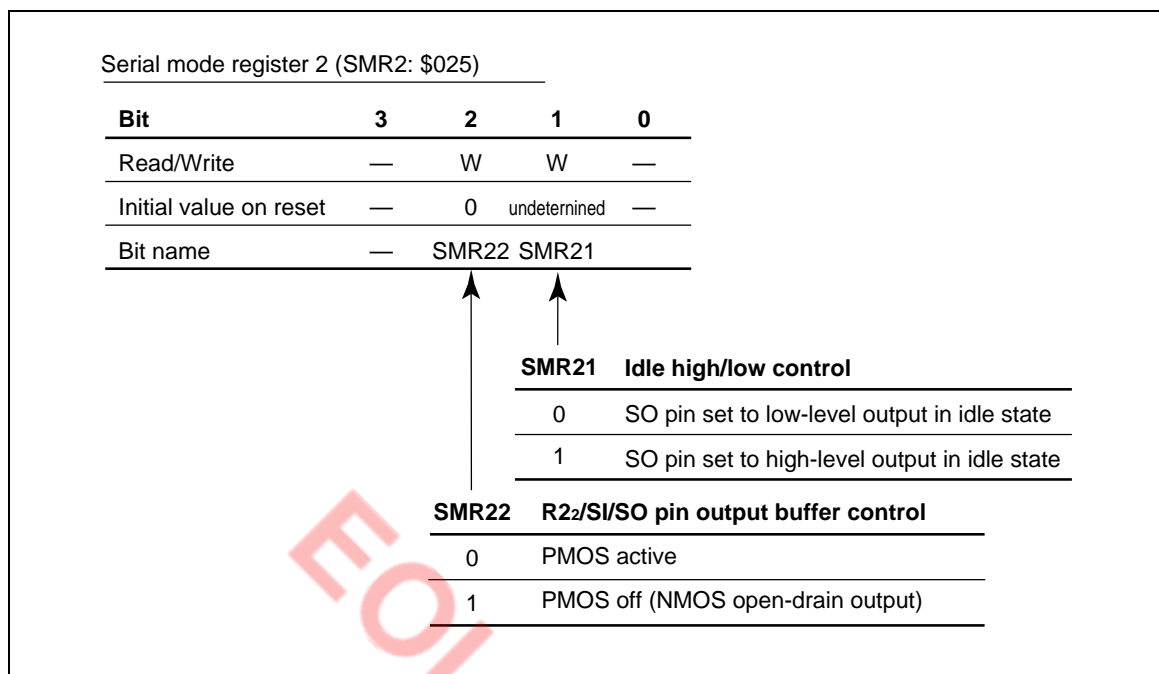


Figure 57 Serial Mode Register 2 (SMR2)

Serial data register (SRL: \$026, SRU: \$027):

The serial data register (SRL, SRU) has the following functions. See figures 58 and 59.

- Transmit data write and shift operations
- Receive data shift and read operations

The data written to the serial data register (SRL, SRU) is output LSB-first from the SO pin in synchronization with the falling edge of the serial clock.

External data input LSB-first from the SI pin is latched in synchronization with the rising edge of the serial clock. Figure 60 shows the serial clock and data input/output timing chart.

Writing and reading of the serial data register (SRL, SRU) must be performed only after data transmission/reception is completed. The data contents are not guaranteed if a read or write is performed during data transmission or reception.

Serial data register (lower) (SRL: \$026)

Bit	3	2	1	0
Read/Write	R/W	R/W	R/W	R/W
Initial value on reset	Undetermined	Undetermined	Undetermined	Undetermined
Bit name	SR3	SR2	SR1	SR0

Figure 58 Serial Data Register (SRL)

Serial data register (upper) (SRU: \$027)

Bit	3	2	1	0
Read/Write	R/W	R/W	R/W	R/W
Initial value on reset	Undetermined	Undetermined	Undetermined	Undetermined
Bit name	SR7	SR6	SR5	SR4

Figure 59 Serial Data Register (SRU)

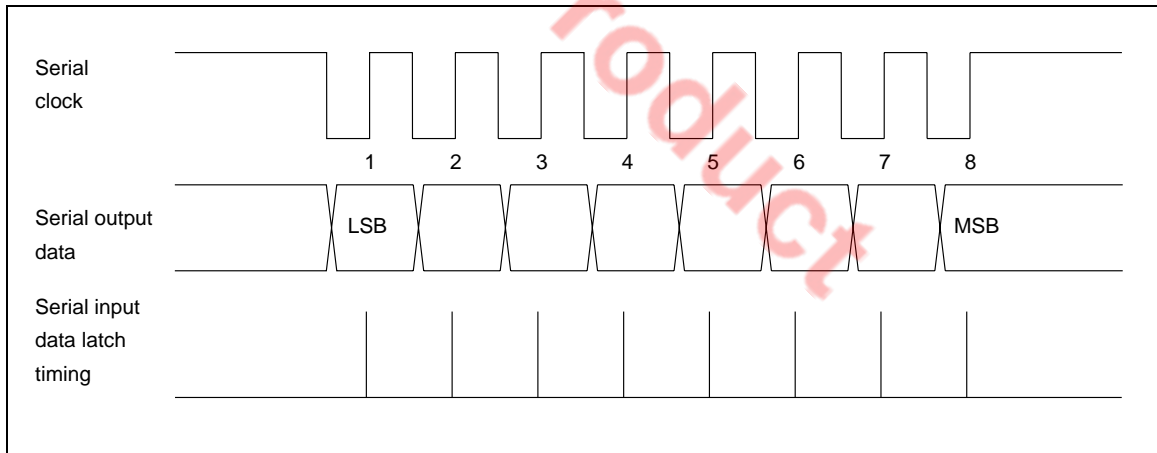


Figure 60 Serial Interface Input/Output Timing Chart

Port mode register 3 (PMR3: \$00B):

Port mode register 3 (PMR3) has the following functions. See figure 61.

- $R2_1/\overline{SCK}$ pin selection
- $R2_2/SI/SO$ pin selection

Port mode register 3 (PMR3) is a 4-bit write-only register used to select serial interface pin settings as shown in figure 61. It is reset to \$0 by an MCU reset.

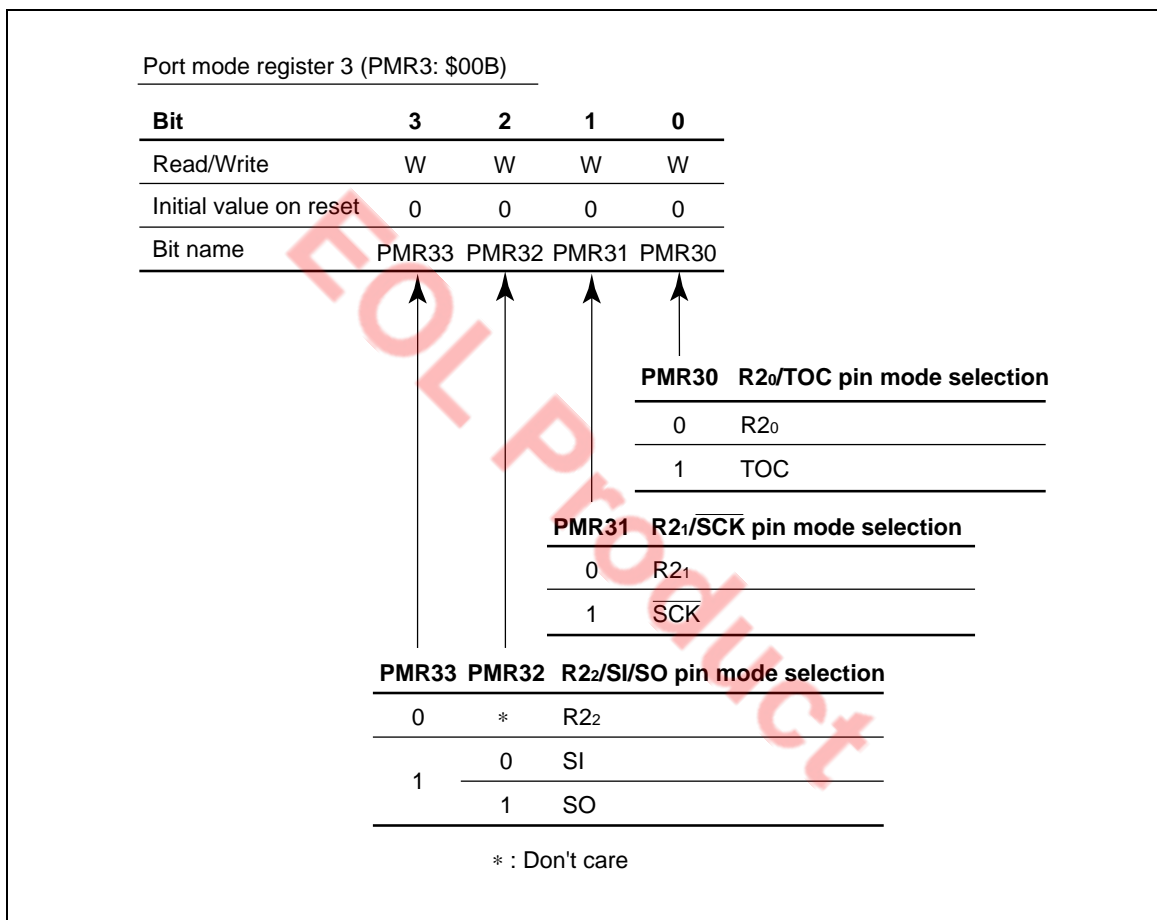


Figure 61 Port Mode Register 3 (PMR3)

Module standby register 2 (MSR2: \$00E):

Module standby register 2 (MSR2) is a write-only register used to designate supply or stopping of the clock to the serial interface as shown in figure 62.

Module standby register 2 (MSR2) is reset to \$0 by an MCU reset.

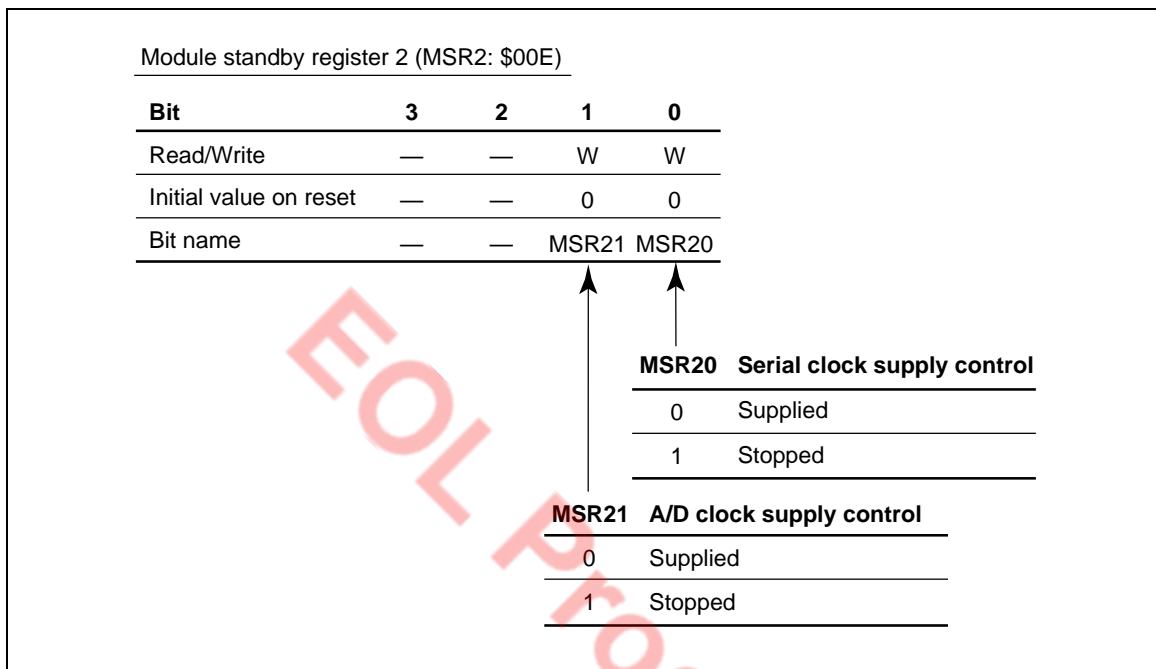


Figure 62 Module Standby Register 2 (MSR2)

A/D Converter (HD404374/HD404384/HD404389 Series)

The MCU has a built-in successive approximation type A/D converter using a resistance ladder method, capable of digital conversion of four analog inputs with an 10-bit resolution. The A/D converter block diagram is shown in figure 63.

The A/D converter comprises the following four registers.

- A/D mode register (AMR: \$028)
- A/D start flag (ADSF: \$020,2)
- A/D data register (ADRL: \$029, ADRM: \$02A, ADRL: \$02B)
- Module standby register 2 (MSR2: \$00E)

Note : With the HD404374, HD404384, and HD404389 Series emulator, write 1 to bit 0 (ADRL0) of A/D data register-lower (ADRL). This bit need not be written in the mask ROM and ZTAT™ versions in these series, although writing 1 will have no effect.

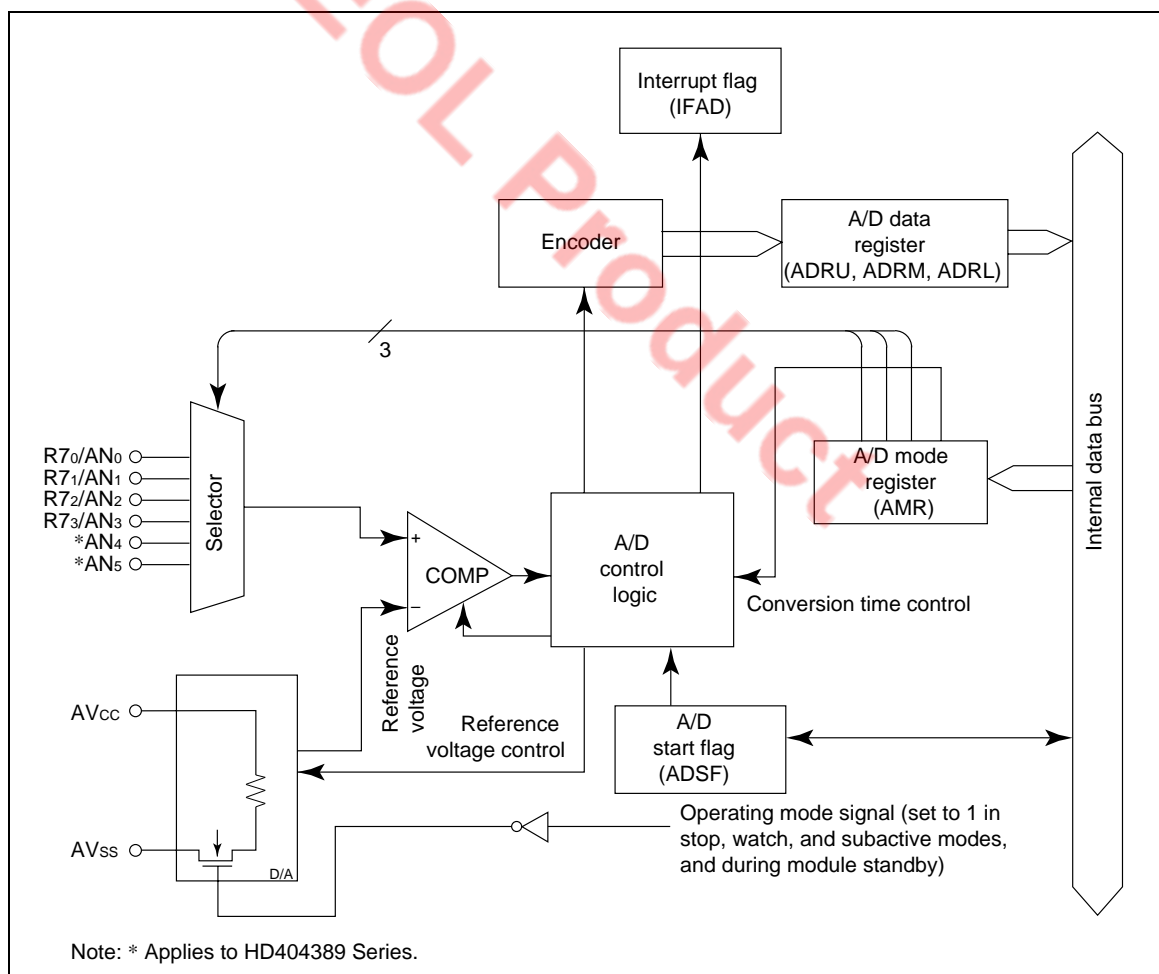


Figure 63 A/D Converter Block Diagram

A/D mode register (AMR: \$028):

The A/D mode register is a 4-bit write-only register that shows the A/D converter speed setting and information on the analog input pin specification. The A/D conversion time is selected by bit 0, and the channel by bits 1, 2, and 3 (figure 64).

A/D start flag (ADSF: \$020,2):

A/D conversion is started by writing 1 to the A/D start flag. When conversion ends, the converted data is placed in the A/D data register and the A/D start flag is cleared at the same time. (figure 65).

A/D mode register (AMR: \$028)

Bit	3	2	1	0
Read/Write	W	W	W	W
Initial value on reset	0	0	0	0
Bit name	AMR3	AMR2	AMR1	AMR0

AMR0	A/D conversion time
0	65 t _{cyc}
1	125 t _{cyc}

AMR3	AMR2	AMR1	Analog input channel selection
	0	—	No selection
0	1	0	AN0
		1	AN1
1	0	0	AN2
		1	AN3
	1	0	AN4*
		1	AN5*

Note: * Applies to the HD404389 series. This selection is not available on the HD 404374 and HD404384 series.

Figure 64 A/D Mode Register (AMR)

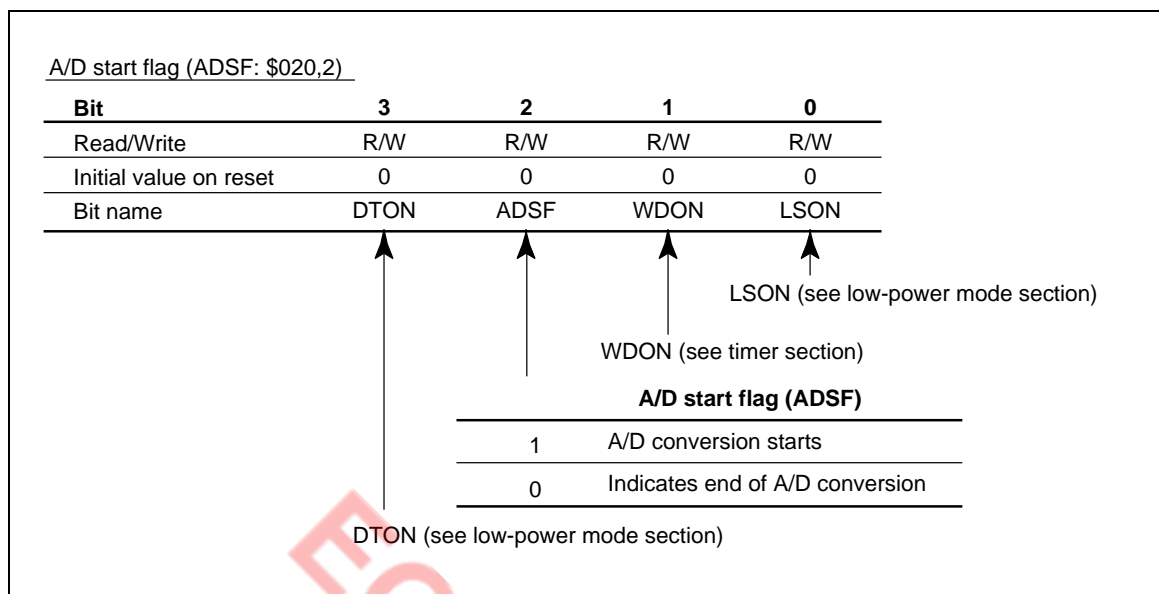


Figure 65 A/D Start Flag (ADSF)

A/D data register (ADRL: \$029, ADRM: \$02A, ADRU: \$02B):

The A/D data register is a read-only register consisting of a middle 4 bits and lower 2 bits. This register is not cleared by a reset. Also, data read during A/D conversion is not guaranteed. At the end of A/D conversion, the resulting 10-bit data is stored in this register, and is held until the next conversion operation starts (figures 66, 67, 68, and 69).

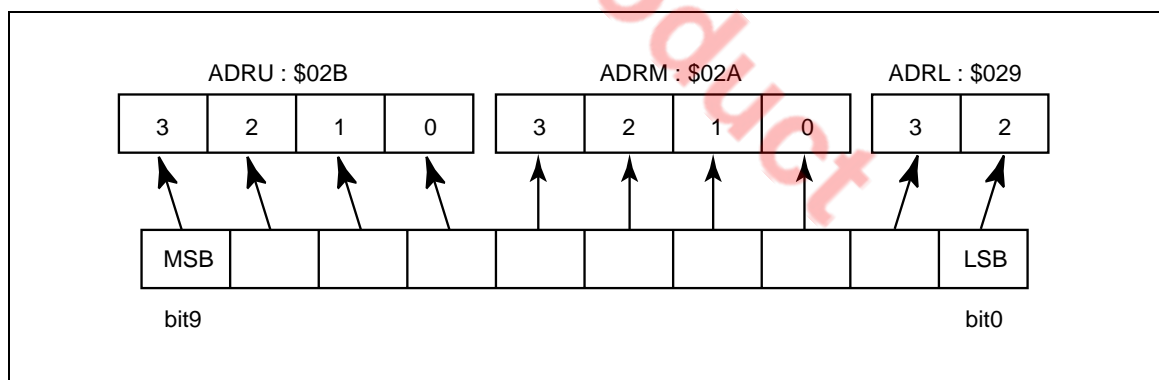


Figure 66 A/D Data Register

A/D data register-lower (ADRL: \$029)

Bit	3	2	1	0
Read/Write	R	R	—	—
Initial value on reset	1	1	—	—*
Bit name	ADRL3	ADRL2	Not used	Not used

Note: * Should be written with 1 with the emulator.

Figure 67 A/D Data Register-Lower (ADRL)

A/D data register-middle (ADRM: \$02A)

Bit	3	2	1	0
Read/Write	R	R	R	R
Initial value on reset	1	1	1	1
Bit name	ADRM3	ADRM2	ADRM1	ADRM0

Figure 68 A/D Data Register-Middle (ADRM)

A/D data register-upper (ADRU: \$02B)

Bit	3	2	1	0
Read/Write	R	R	R	R
Initial value on reset	0	1	1	1
Bit name	ADRU3	ADRU2	ADRU1	ADRU0

Figure 69 A/D Data Register-Upper (ADRU)

Module standby register 2 (MSR2: \$00E):

Writing 1 to bit 1 of module standby register 2 stops the supply of the system clock to the A/D module and cuts the current (I_{AD}) flowing in the ladder resistor.

Usage notes:

- Use the SEM or SEMD instruction to write to the A/D start flag (ADSF).
- Do not write to the ADSF during A/D conversion.
- Data in the A/D data register is undetermined during A/D conversion.
- As the A/D converter operates on a clock from OSC, it stops in stop mode, watch mode, and subactive mode. The current flowing in the A/D converter ladder resistor is also cut in these low-power modes to reduce power consumption.
- When an analog input pin is selected by the A/D mode register, the pull-up MOS for that pin is disabled.
- Use of bit 0 of A/D data register-lower (ADRL) is prohibited, but with the emulator it should be written with 1. This bit need not be written in the mask ROM and ZTAT™ versions, although writing 1 will have no effect.

EOL Product

ZTATTM Microcomputer with Built-in Programmable ROM

Precautions for use of ZTATTM microcomputer with built-in programmable ROM

(1) Precautions for writing to programmable ROM built in ZTATTM microcomputer

In the ZTATTM microcomputer with built-in plastic mold one-time programmable ROM, incomplete electrical connection between the PROM writer and socket adapter causes writing errors and, makes the computer unoperable. To enhance the writing efficiency, attention should be paid to the following points:

- (a) Make sure that the socket adapter is firmly fixed to the PROM writer and connected electrically with each other (neither opened nor shorted), before starting the writing process.
- (b) To secure the electrical connection between the contact pin and IC lead, make sure that there is no foreign substance on the contact pin of the socket adapter, which may cause improper electrical connection.
- (c) When inserting the IC, be careful to protect the IC lead from bending in order to secure the electrical connection between the contact pin and IC lead. If the lead is bent, correct the bending and insert it again.
- (d) If any trouble is noticed during a blank check to be performed to prevent erroneous writing due to improper electrical connection, carry out the writing process again according to above steps (a), (b), and (c).
- (e) During the writing process, do not touch the socket adapter and IC to prevent erroneous writing.
- (f) To write continuously in the IC, follow steps (a), (b), (c), (d) and (e).
- (g) If a writing error recurs, or the rate of writing errors occur frequently, stop writing and check the PROM writer, socket adapter, etc. for defects.
- (h) If any problem is noticed in the written program or in the program after being left at a high temperature, consult our technical staff.

(2) Precautions when new PROM writer, socket adapter or IC is used

When a new PROM writer, socket adapter or IC is employed, breakdown of the IC may occur or its writing may become impossible because the noise, overshoot, timing or other electrical characteristics may be inconsistent with the assured IC writing characteristics. To avoid such troubles, check the following points before starting the writing process.

- (a) To ensure stable writing operation, check that the V_{CC} of the power supplied to the PROM writer, power source current capacity of V_{PP} , and current consumption at the time of writing to IC are provided with sufficient margin.
- (b) To prevent breakdown of the IC, check that the power source voltage between GND- V_{CC} and GND- V_{PP} , and overshoot or undershoot of the power source at the connecting terminal of the socket adapter are within the ratings. Particularly, if the overshoot or undershoot exceeds the maximum rating, the p-n connection may be damaged, leading to permanent breakdown. If overshoot or undershoot occurs, recheck the power source damping resistance of capacity.
- (c) To prevent breakdown of the IC and for stable writing and reading operation, insert the IC into the socket adapter and check the power noise between the GND- V_{CC} and GND- V_{PP} near the IC connecting

terminal. If power source noise is noticed, insert an appropriate capacitor between the GND power sources depending on the noise generated. In case of high frequency noise, insert a capacitor of low inductance.

- (d) For stable writing and reading operation, insert the IC into the socket adapter and check the input waveform, timing and noise near the R/W, CS, address and data terminals. Particularly, since recent ICs have increased in speed, caution should be exercised against the noise to the power source or address due to crosstalk from the output data terminal. To avoid these problems, inserting a low inductance capacitor between the GND and power source or inserting a damping resistance to the output data terminal is effective.
- (e) Particularly, when a multiple PROM writer is used, perform above items (a), (b), (c), and (d) assuming all ICs inserted into the socket adapter.
- (f) In the case of a multiple PROM writer, when an unacceptable result is noticed during a blank check performed to prevent erroneous writing due to improper electrical connection of the power source, etc., rewriting is impossible unless every writing process can be stopped. Therefore, the potential increases due to erroneous writing because of improper connection. Be sure to check the electrical connection between the PROM writer and socket adapter and IC.
- (g) If any abnormality is noticed while checking a written program, consult our technical staff.

Programming of Built-in programmable ROM

The MCU can stop its function as an MCU in PROM mode for programming the built-in PROM.

PROM mode is set up by setting the $\overline{\text{RESET}}$ and $\overline{\text{MO}}$ terminals to “Low” level and the TEST terminal to “Vpp” level.

Writing and reading specifications of the PROM are the same as those for the commercial EPROM27256. Using a socket adapter for specific use of each product, programming is possible with a general-purpose PROM writer.

Since an instruction of the HMCS400 series is 10 bits long, a conversion circuit is incorporated to adapt the general-purpose PROM writer. This circuit splits each instruction into five lower bits and five higher bits to write from or read to two addresses. This enables use of a general-purpose PROM. For instance, to write to a 16kword of built-in PROM writer with a general-purpose PROM, specify 32kbyte address (\$0000-\$7FFF). An example of PROM memory map is shown in figure 70.

Notes:

1. When programming with a PROM writer, set up each ROM size to the address given in table 29. If it is programmed erroneously to an address given in table 29 or later, check of writing of PROM may become impossible. Particularly, caution should be exercised in the case of a plastic package since reprogramming is impossible with it. Set the data in unused addresses to \$FF.
2. If the indexes of the PROM writer socket, socket adapter and product are not aligned precisely, the product may break down due to overcurrent. Be sure to check that they are properly set to the writer before starting the writing process.
3. Two levels of program voltages (V_{PP}) are available for the PROM: 12.5V and 21V. Our product employs a V_{PP} of 12.5V. If a voltage of 21V is applied, permanent breakdown of the product will result. The V_{PP} of 12.5V is obtained for the PROM writer by setting it according to the Intel 27258 specifications.

Table 27 Socket Adapters

Package	Model Name	Manufacturer
FP-30D	Please ask Renesas Technology service section.	
DP-28S	Please ask Renesas Technology service section.	

Writing/Verification

Programming of the built-in program ROM employs a high speed programming method. With this method, high speed writing is effected without voltage stress to the device or without damaging the reliability of the written data.

A basic programming flow chart is shown in figure 71 and a timing chart in figure 72.

For precautions for PROM writing procedure, refer to “Precautions for use of ZTAT™ microcomputer with build-in programmable ROM”.

Table 28 Selection of Mode

Mode	\overline{CE}	\overline{OE}	V_{PP}	O_0 to O_4
Writing	“Low”	“High”	V_{PP}	Data input
Verification	“High”	“Low”	V_{PP}	Data output
Prohibition of programming	“High”	“High”	V_{PP}	High impedance

Table 29 PROM Writer Program Address

ROM size	Address
2k	\$0000~\$0FFF
4k	\$0000~\$1FFF
8k	\$0000~\$3FFF
16k	\$0000~\$7FFF

EOL Product

Programmable ROM

The HD407A4374/HD407C4374/HD407A4384/HD407C4384, HD407A4389/HD407C4389 are ZTAT™ microcomputers with built-in PROM that can be programmed in PROM mode.

PROM Mode Pin Description

(1) HD407A4374/HD407C4374/HD407A4384/HD407C4384

Pin No.		MCU Mode		PROM Mode.	
FP-30D	DP-28S	Pin name	I/O	Pin name	I/O
1	1	GND	—	GND	—
2	2	V _{CC}	—	V _{CC}	—
3	3	AV _{CC}	—	V _{CC}	—
4	4	R7 ₀ /AN ₀	I/O	O ₀	I/O
5	5	R7 ₁ /AN ₁	I/O	O ₁	I/O
6	6	R7 ₂ /AN ₂	I/O	O ₂	I/O
7	7	R7 ₃ /AN ₃	I/O	O ₃	I/O
8	8	AV _{SS}	—	GND	—
9	9	OSC ₁	I	A ₀	I
10	10	OSC ₂	O	—	—
11	11	TEST	I	V _{PP}	—
12	—	X ₂	O	—	—
13	—	X ₁	I	GND	—
14	12	RESET	I	RESET	I
15	13	R0 ₀ /WU ₀	I/O	A ₁	I
16	14	R1 ₀ /EVNB	I/O	A ₂	I
17	15	R1 ₃ /TOB	I/O	O ₄	I/O
18	16	R2 ₀ /TOC	I/O	\overline{CE}	I
19	17	R2 ₁ /SCK	I/O	A ₂	I
20	18	R2 ₂ /SI/SO	I/O	A ₃	I
21	19	D ₀ /INT ₀	I/O	\overline{MO}	I
22	20	D ₁	I/O	A ₅	I
23	21	D ₂	I/O	A ₆	I
24	22	D ₃	I/O	A ₇	I
25	23	D ₄	I/O	A ₈	I
26	24	D ₅	I/O	A ₉	I
27	25	D ₆	I/O	A ₁₀	I
28	26	D ₇	I/O	A ₁₁	I
29	27	D ₈	I/O	A ₁₂	I
30	28	D ₉	I/O	\overline{OE}	I

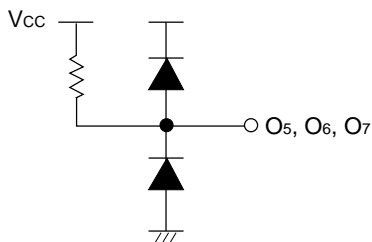
HD404374/HD404384/HD404389/HD404082/HD404084 Series
(2) HD407A4389 and HD407C4389

Pin No.	MCU Mode		PROM Mode.	
	Pin name	I/O	Pin name	I/O
1	GND	—	GND	—
2	V _{CC}	—	V _{CC}	—
3	AV _{CC}	—	V _{CC}	—
4	R7 ₀ /AN ₀	I/O	O ₀	I/O
5	R7 ₁ /AN ₁	I/O	O ₁	I/O
6	R7 ₂ /AN ₂	I/O	O ₂	I/O
7	R7 ₃ /AN ₃	I/O	O ₃	I/O
8	AN ₄	I	$\overline{\text{CE}}$	I
9	AN ₅	I	$\overline{\text{OE}}$	I
10	AV _{SS}	—	GND	
11	TEST	I	V _{PP}	—
12	OSC ₁	I	A ₀	I
13	OSC ₂	O	—	—
14	$\overline{\text{RESET}}$	I	$\overline{\text{RESET}}$	I
15	R0 ₀ /WU ₀	I/O	A ₁	I
16	R1 ₀ /EVNB	I/O	A ₄	I
17	R1 ₃ /TOB	I/O	O ₄	I/O
18	R2 ₀ /TOC	I/O	A ₁₄	I
19	R2 ₁ /SCK	I/O	A ₂	I
20	R2 ₂ /SI/SO	I/O	A ₃	I
21	D ₀ /INT ₀	I/O	$\overline{\text{MO}}$	I
22	D ₁	I/O	A ₅	I
23	D ₂	I/O	A ₆	I
24	D ₃	I/O	A ₇	I
25	D ₄	I/O	A ₈	I
26	D ₅	I/O	A ₉	I
27	D ₆	I/O	A ₁₀	I
28	D ₇	I/O	A ₁₁	I
29	D ₈	I/O	A ₁₂	I
30	D ₉	I/O	A ₁₃	I

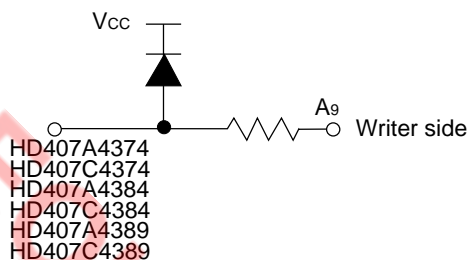
Note: I/O: I/O pin, I: Input-only pin, O: Output-only pin

HD404374/HD404384/HD404389/HD404082/HD404084 Series

1. Unused data pins (O_5 to O_7) on the PROM programmer side should be handled as shown below on the socket.



2. Pin A_9 should be handled as shown below on the socket.



Pin Functions in PROM Mode

V_{pp} :

Applies the on-chip PROM programming voltage (12.5 V \pm 0.3 V).

\overline{CE} :

Inputs a control signal to set the on-chip PROM to the write/verify enabled state.

\overline{OE} :

Inputs a data output control signal during verification.

A_0 to A_{14} :

On-chip PROM address input pins.

O_0 to O_4 :

On-chip PROM data bus I/O pins.

\overline{MO} , \overline{RESET} , TEST:

PROM mode setting pins. PROM mode is set by driving the \overline{RESET} , and \overline{MO} pins low, and driving the TEST pin to the V_{pp} level.

Other pins:

V_{cc} and AV_{cc} should be connected to V_{cc} potential.

GND, AV_{ss} , and X1 should be connected to GND potential.

Other pins should be left open.

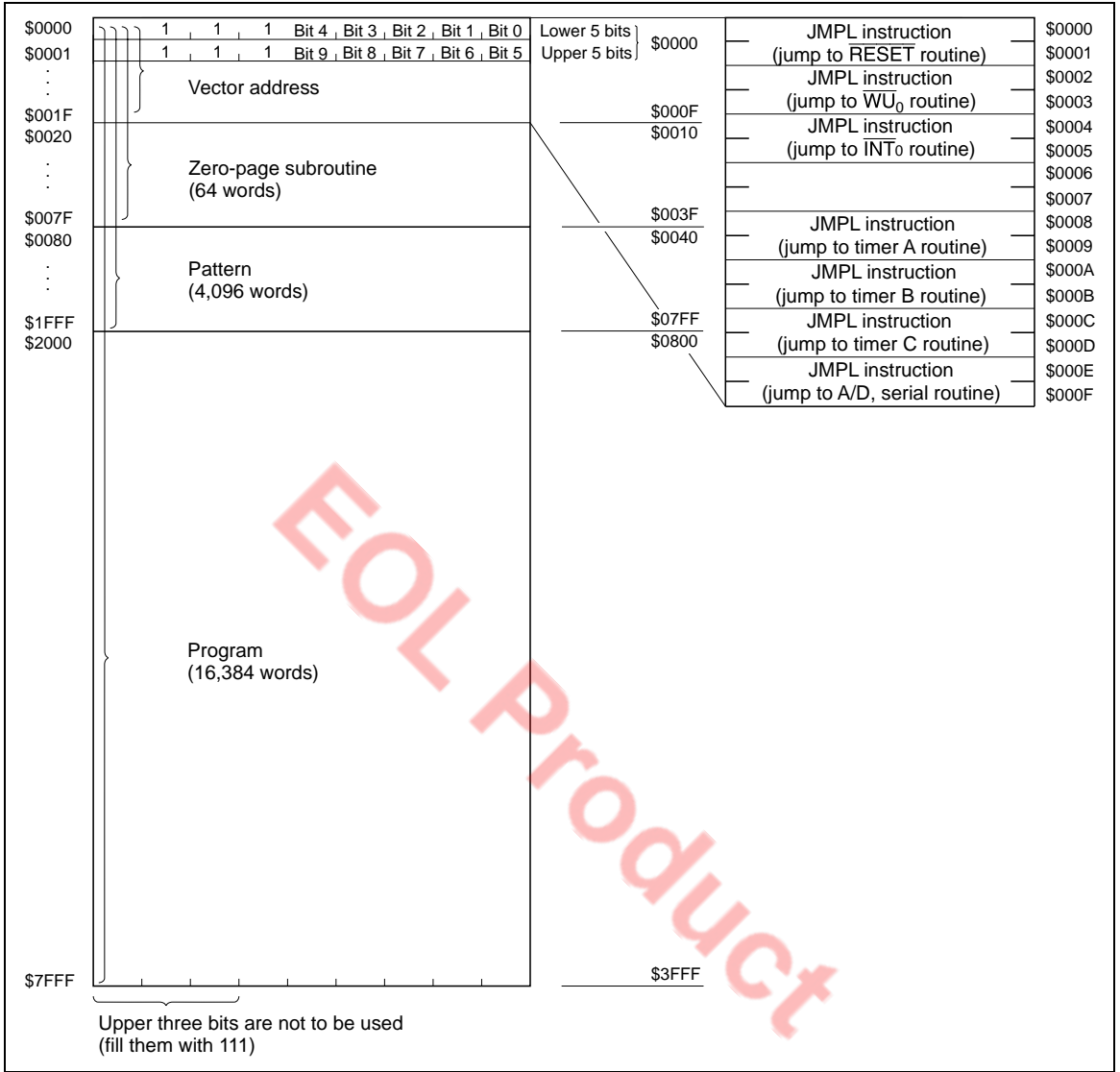


Figure 70 Memory Map in PROM Mode

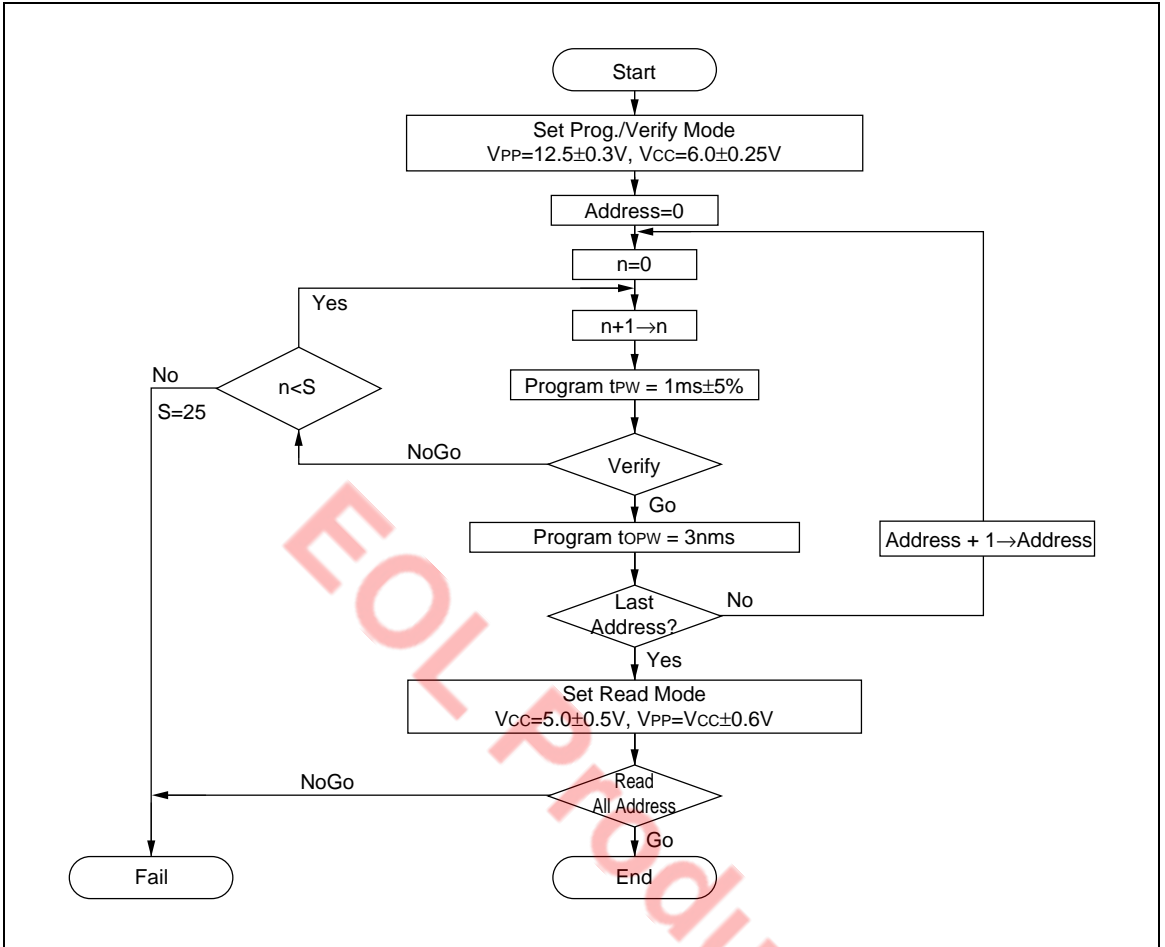


Figure 71 Flowchart of High-Speed Programming

Programming Electrical Characteristics

DC Characteristics ($V_{CC} = 6V \pm 0.25V$, $V_{PP} = 12.5V \pm 0.3V$, $V_{SS} = 0V$, $T_a = 25^\circ C \pm 5^\circ C$, unless otherwise specified)

Item		Symbol	Test Conditions	min	typ	max	Unit
Input high voltage	O_0 to O_4 , A_0 to A_{14} , \overline{OE} , \overline{CE}	V_{IH}		2.2	—	$V_{CC} + 0.3$	V
Input low voltage	O_0 to O_4 , A_0 to A_{14} , \overline{OE} , \overline{CE}	V_{IL}		-0.3	—	0.8	V
Output high voltage	O_0 to O_4	V_{OH}	$I_{OH} = -200\mu A$	2.4	—	—	V
Output low voltage	O_0 to O_4	V_{OL}	$I_{OL} = 1.6mA$	—	—	0.4	V
Input leakage current	O_0 to O_4 , A_0 to A_{14} , \overline{OE} , \overline{CE}	$ I_{IL} $	$V_{in} = 5.25V/0.5V$	—	—	2	μA
V_{CC} current		I_{CC}		—	—	30	mA
V_{PP} current		I_{PP}		—	—	40	mA

AC Characteristics ($V_{CC} = 6V \pm 0.25V$, $V_{PP} = 12.5V \pm 0.3V$, $T_a = 25^\circ C \pm 5^\circ C$, unless otherwise specified)

Item		Symbol	Test Conditions	min	typ	max	Unit
Address setup time		t_{AS}	See figure 72	2	—	—	μs
\overline{OE} setup time		t_{OES}		2	—	—	μs
Data setup time		t_{DS}		2	—	—	μs
Address hold time		t_{AH}		0	—	—	μs
Data hold time		t_{DH}		2	—	—	μs
Data output disable time		t_{DF}		—	—	130	ns
V_{PP} setup time		t_{VPS}		2	—	—	μs
Program pulse width		t_{PW}		0.95	1.0	1.05	ms
\overline{CE} pulse width during overprogramming		t_{OPW}		2.85	—	78.75	ms
V_{CC} setup time		t_{VCS}		2	—	—	μs
Data output delay time		t_{OE}		0	—	500	ns

Notes: Input pulse level: 0.8 V to 2.2 V

Input rise/fall times: $\leq 20ns$

Input timing reference levels: 1.0 V, 2.0 V

Output timing reference levels: 0.8 V, 2.0 V

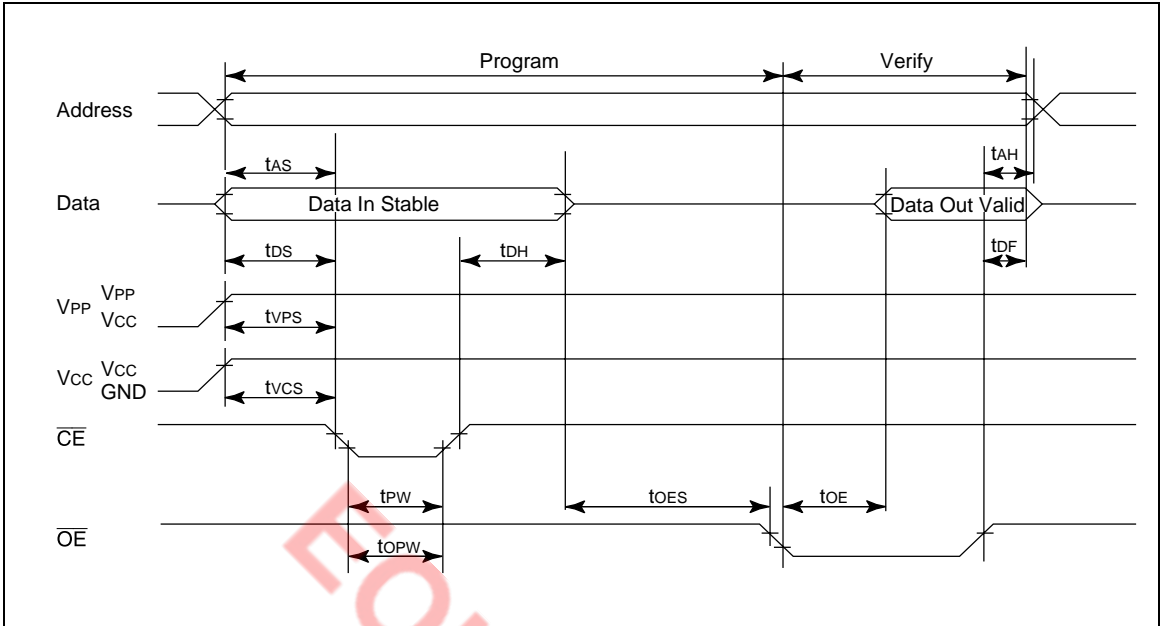


Figure 72 PROM Write/Verify Timing

Notes on PROM Programming

Principles of Programming/Erase: A memory cell in a ZTAT™ microcomputer is the same as an EPROM cell; it is programmed by applying a high voltage between its control gate and drain to inject hot electrons into its floating gate. These electrons are stable, surrounded by an energy barrier formed by an SiO₂ film. The change in threshold voltage of a memory cell with a charged floating gate makes the corresponding bit appear as 0; a cell whose floating gate is not charged appears as a 1 bit (figure 73).

The charge in a memory cell may decrease with time. This decrease is usually due to one of the following causes:

- Ultraviolet light excites electrons, allowing them to escape. This effect is the basis of the erasure principle.
- Heat excites trapped electrons, allowing them to escape.
- High voltages between the control gate and drain may erase electrons.

If the oxide film covering a floating gate is defective, the electron erasure rate will be greater. However, electron erasure does not often occur because defective devices are detected and removed at the testing stage.

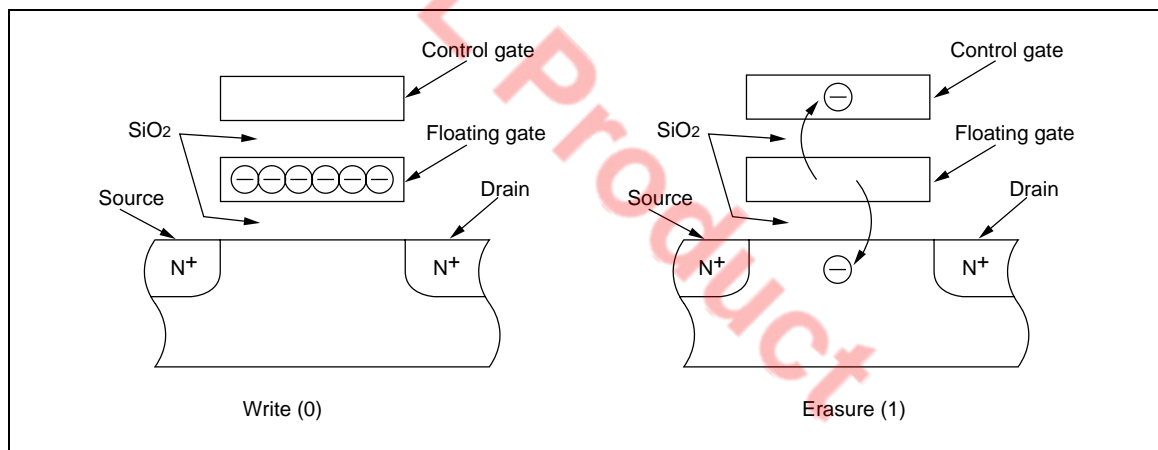


Figure 73 Cross-Sections of a PROM Cell

PROM Programming: PROM memory cells must be programmed under specific voltage and timing conditions. The higher the programming voltage V_{PP} and the longer the programming pulse t_{PW} is applied, the more electrons are injected into the floating gates. However, if V_{PP} exceeds specifications, the pn junctions may be permanently damaged. Pay particular attention to overshooting in the PROM programmer. In addition, note that negative voltage noise will produce a parasitic transistor effect that may reduce breakdown voltages.

The ZTAT™ microcomputer is electrically connected to the PROM programmer by a socket adapter. Therefore, note the following points:

- Check that the socket adapter is firmly mounted on the PROM programmer.
- Do not touch the socket adapter or the LSI during the programming. Touching them may affect the quality of the contacts, which will cause programming errors.

PROM Reliability after Programming: In general, semiconductor devices retain their reliability, provided that some initial defects can be excluded. These initial defects can be detected and rejected by screening. Baking devices under high-temperature conditions is one method of screening that can rapidly eliminate data-hold defects in memory cells. (Refer to the previous Principles of Programming/Erase section.)

ZTAT™ microcomputer devices are extremely reliable because they have been subjected to such a screening method during the wafer fabrication process, but Hitachi recommends that each device be exposed to 150°C at one atmosphere for at least 48 hours after it is programmed, to ensure its best performance. The recommended screening procedure is shown in figure 74.

Note: If programming errors occur continuously during PROM programming, suspend programming and check for problems in the PROM programmer or socket adapter. If programming verification indicates errors in programming or after high-temperature exposure, please inform Renesas Technology.

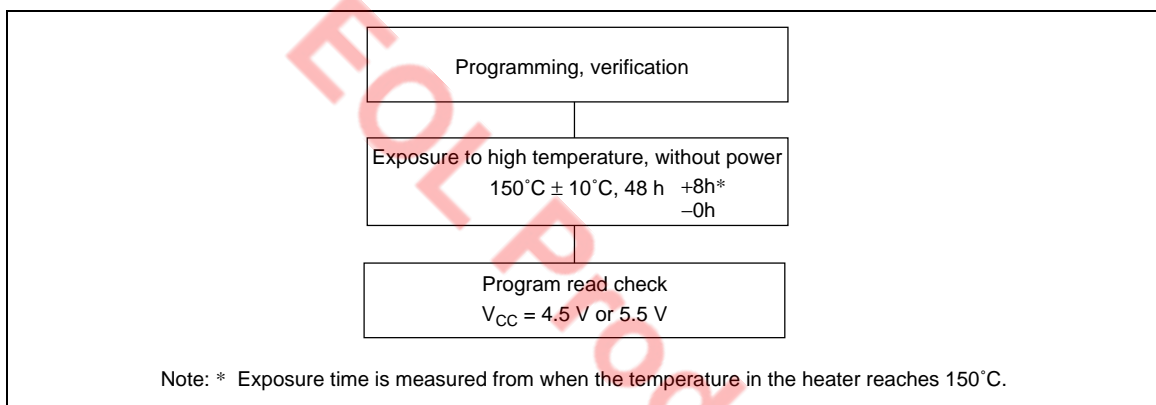


Figure 74 Recommended Screening Procedure

Programming percentage: Programming percentage is guaranteed to more than 95%.

Addressing Modes

RAM Addressing Modes

The MCU has three RAM addressing modes, as shown in figure 75 and described below.

Register Indirect Addressing Mode: The contents of the W, X, and Y registers (10 bits in total) are used as a RAM address.

Direct Addressing Mode: A direct addressing instruction consists of two words. The first word contains the opcode, and the contents of the second word (10 bits) are used as a RAM address.

Memory Register Addressing Mode: The memory registers (MR), which are located in 16 addresses from \$040 to \$04F, are accessed with the LAMR and XMRA instructions.

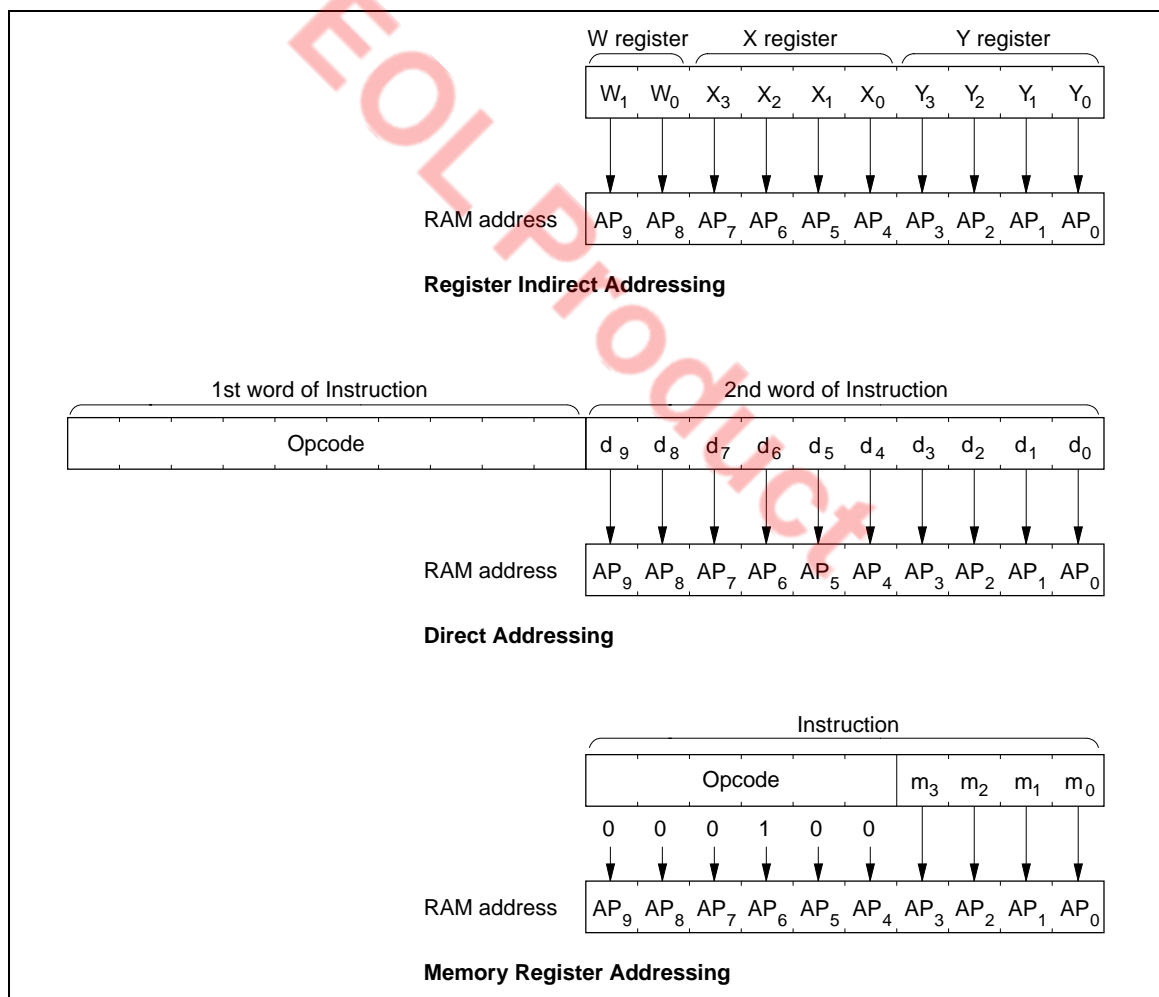


Figure 75 RAM Addressing Modes

ROM Addressing Modes and the P Instruction

The MCU has four ROM addressing modes, as shown in figure 76 and described below.

Direct Addressing Mode: A program can branch to any address in the ROM memory space by executing the JMPL, BRL, or CALL instruction. Each of these instructions replaces the 14 program counter bits (PC₁₃–PC₀) with 14-bit immediate data.

Current Page Addressing Mode: The MCU has 64 pages of ROM with 256 words per page. A program can branch to any address in the current page by executing the BR instruction. This instruction replaces the eight low-order bits of the program counter (PC₇–PC₀) with eight-bit immediate data. If the BR instruction is on a page boundary (address $256n + 255$), executing that instruction transfers the PC contents to the next physical page, as shown in figure 78. This means that the execution of the BR instruction on a page boundary will make the program branch to the next page.

Note that the HMCS400-series cross assembler has an automatic paging feature for ROM pages.

Zero-Page Addressing Mode: A program can branch to the zero-page subroutine area located at \$0000–\$003F by executing the CAL instruction. When the CAL instruction is executed, 6 bits of immediate data are placed in the six low-order bits of the program counter (PC₅–PC₀), and 0s are placed in the eight high-order bits (PC₁₃–PC₆).

Table Data Addressing Mode: A program can branch to an address determined by the contents of four-bit immediate data, the accumulator, and the B register by executing the TBR instruction.

P Instruction: ROM data addressed in table data addressing mode can be referenced with the P instruction as shown in figure 77. If bit 8 of the ROM data is 1, eight bits of ROM data are written to the accumulator and the B register. If bit 9 is 1, eight bits of ROM data are written to the R1 and R2 port output registers. If both bits 8 and 9 are 1, ROM data is written to the accumulator and the B register, and also to the R1 and R2 port output registers at the same time.

The P instruction has no effect on the program counter.

Branch Destination of BR Instruction on Page Boundary: If a BR instruction is located on a page boundary ($256n + 255$), because of the hardware architecture the program counter contents will shift to the next page when that instruction is executed. When using a BR instruction on a page boundary, therefore, the branch destination must be set within the next page (see figure 78).

The HMCS400-series cross assembler has an automatic paging feature for ROM pages, regardless of the model.

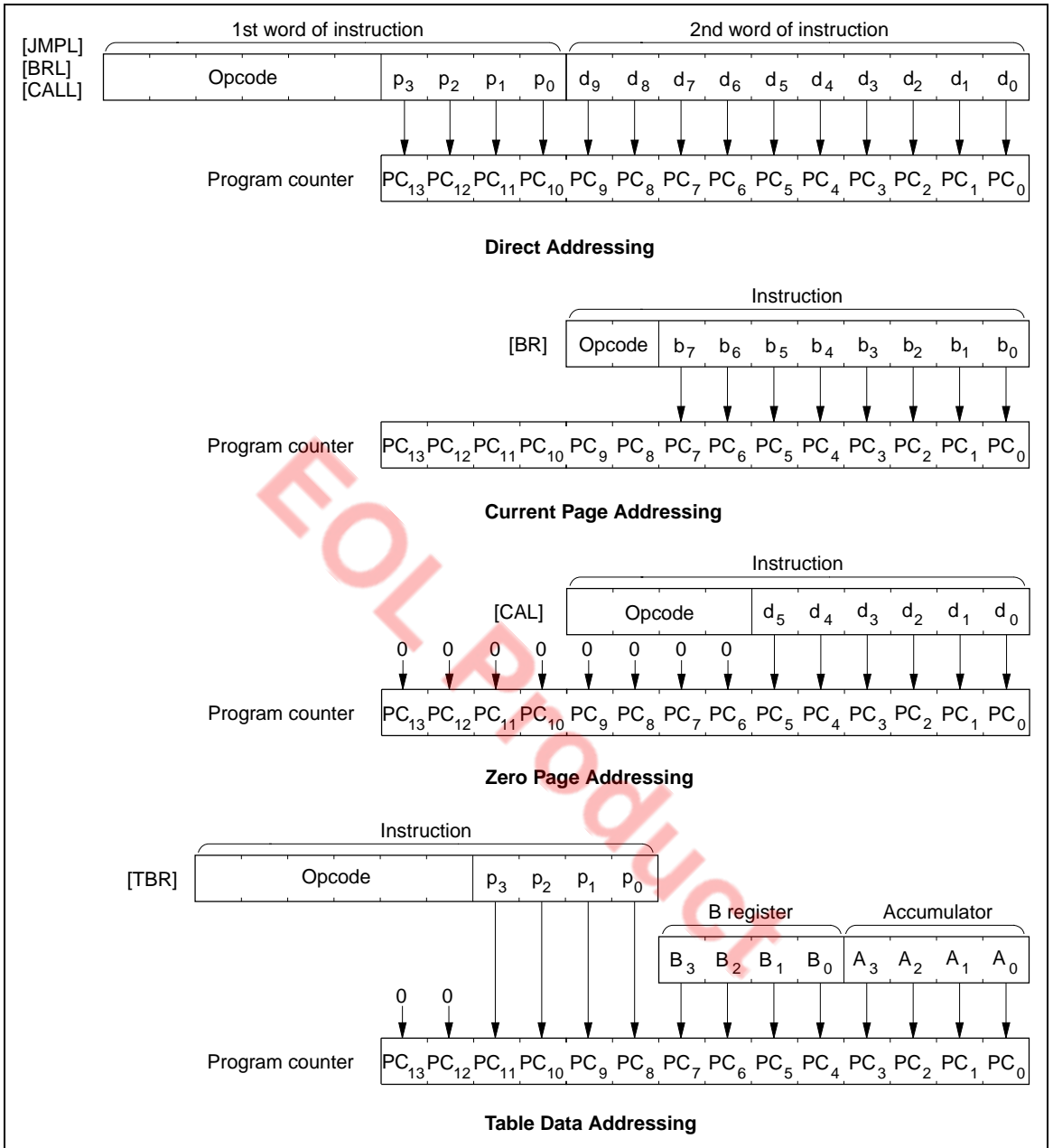


Figure 76 ROM Addressing Modes

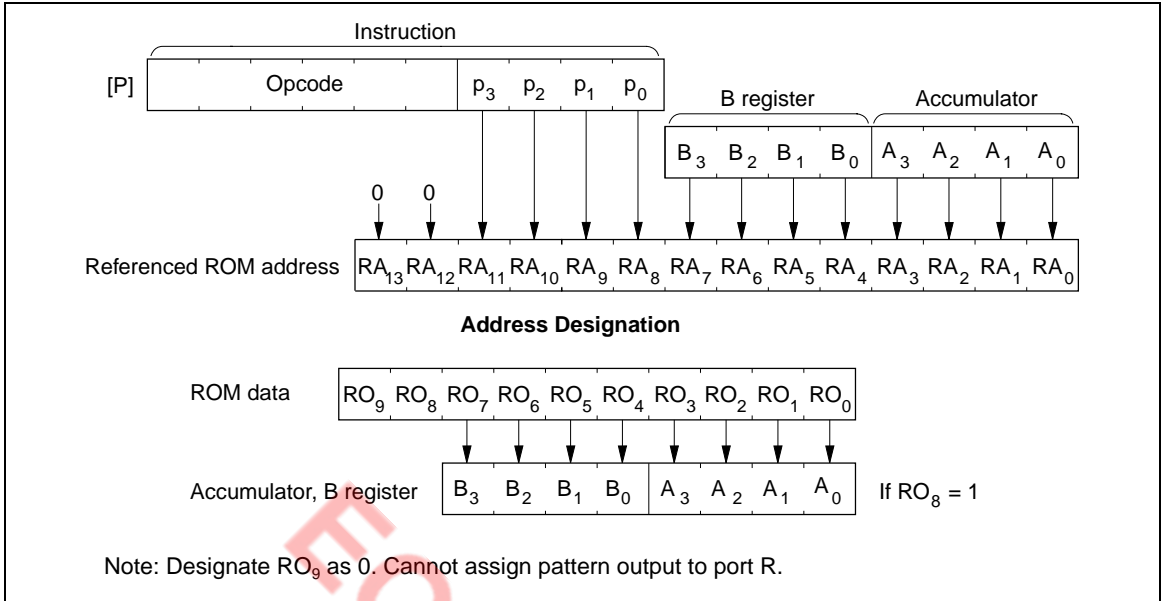


Figure 77 P Instruction

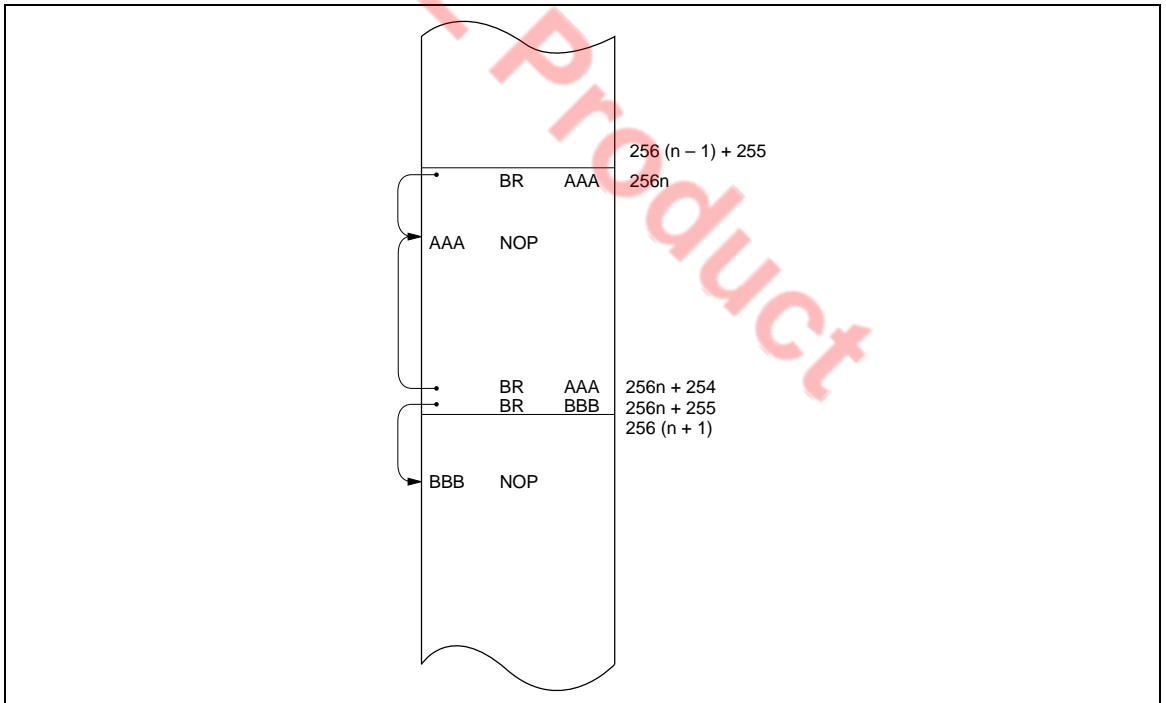


Figure 78 Branching when the Branch Destination is on a Page Boundary

Instruction Set

The MCU Series has 101 instructions, classified into the following 10 groups:

- Immediate instructions
- Register-to-register instructions
- RAM addressing instructions
- RAM register instructions
- Arithmetic instructions
- Compare instructions
- RAM bit manipulation instructions
- ROM addressing instructions
- Input/output instructions
- Control instructions

The functions of these instructions are listed in tables 30 to 39, and an opcode map is shown in table 40.

Table 30 Immediate Instructions

Operation	Mnemonic	Operation Code	Function	Status	Words/ Cycles
Load A from immediate	LAI i	1 0 0 0 1 1 i_3 i_2 i_1 i_0	$i \rightarrow A$		1/1
Load B from immediate	LBI i	1 0 0 0 0 0 i_3 i_2 i_1 i_0	$i \rightarrow B$		1/1
Load memory from immediate	LMID i,d	0 1 1 0 1 0 i_3 i_2 i_1 i_0 d_9 d_8 d_7 d_6 d_5 d_4 d_3 d_2 d_1 d_0	$i \rightarrow M$		2/2
Load memory from immediate, increment Y	LMIIY i	1 0 1 0 0 1 i_3 i_2 i_1 i_0	$i \rightarrow M, Y + 1 \rightarrow Y$	NZ	1/1

Table 31 Register-Register Instructions

Operation	Mnemonic	Operation Code	Function	Status	Words/ Cycles
Load A from B	LAB	0 0 0 1 0 0 1 0 0 0	$B \rightarrow A$		1/1
Load B from A	LBA	0 0 1 1 0 0 1 0 0 0	$A \rightarrow B$		1/1
Load A from W	LAW	0 1 0 0 0 0 0 0 0 0 0 0 0 0 0 0 0 0 0 0	$W \rightarrow A$		2/2*
Load A from Y	LAY	0 0 1 0 1 0 1 1 1 1	$Y \rightarrow A$		1/1
Load A from SPX	LASPX	0 0 0 1 1 0 1 0 0 0	$SPX \rightarrow A$		1/1
Load A from SPY	LASPY	0 0 0 1 0 1 1 0 0 0	$SPY \rightarrow A$		1/1
Load A from MR	LAMR m	1 0 0 1 1 1 m_3 m_2 m_1 m_0	$MR(m) \rightarrow A$		1/1
Exchange MR and A	XMRA m	1 0 1 1 1 1 m_3 m_2 m_1 m_0	$MR(m) \leftrightarrow A$		1/1

Note: * The assembler automatically provides an operand for the second word of the LAW instruction.

Table 32 RAM Address Instructions

Operation	Mnemonic	Operation Code	Function	Status	Words/ Cycles
Load W from immediate	LWI i	0 0 1 1 1 1 0 0 i_1 i_0	$i \rightarrow W$		1/1
Load X from immediate	LXI i	1 0 0 0 1 0 i_3 i_2 i_1 i_0	$i \rightarrow X$		1/1
Load Y from immediate	LYI i	1 0 0 0 0 1 i_3 i_2 i_1 i_0	$i \rightarrow Y$		1/1
Load W from A	LWA*	0 1 0 0 0 1 0 0 0 0 0 0 0 0 0 0 0 0 0 0	$A \rightarrow W$		2/2*
Load X from A	LXA	0 0 1 1 1 0 1 0 0 0	$A \rightarrow X$		1/1
Load Y from A	LYA	0 0 1 1 0 1 1 0 0 0	$A \rightarrow Y$		1/1
Increment Y	IY	0 0 0 1 0 1 1 1 0 0	$Y + 1 \rightarrow Y$	NZ	1/1
Decrement Y	DY	0 0 1 1 0 1 1 1 1 1	$Y - 1 \rightarrow Y$	NB	1/1
Add A to Y	AYY	0 0 0 1 0 1 0 1 0 0	$Y + A \rightarrow Y$	OVF	1/1
Subtract A from Y	SYY	0 0 1 1 0 1 0 1 0 0	$Y - A \rightarrow Y$	NB	1/1
Exchange X and SPX	XSPX	0 0 0 0 0 0 0 0 0 1	$X \leftrightarrow SPX$		1/1
Exchange Y and SPY	XSPY	0 0 0 0 0 0 0 0 1 0	$Y \leftrightarrow SPY$		1/1
Exchange X and SPX, Y and SPY	XSPXY	0 0 0 0 0 0 0 0 1 1	$X \leftrightarrow SPX, Y \leftrightarrow SPY$		1/1

Note: * The assembler automatically provides an operand for the second word of the LAW and LWA instruction.

Table 33 RAM Register Instructions

Operation	Mnemonic	Operation Code	Function	Status	Words/ Cycles
Load A from memory	LAM	0 0 1 0 0 1 0 0 0 0	M → A		1/1
	LAMX	0 0 1 0 0 1 0 0 0 1	M → A X ↔ SPX		
	LAMY	0 0 1 0 0 1 0 0 1 0	M → A Y ↔ SPY		
	LAMXY	0 0 1 0 0 1 0 0 1 1	M → A X ↔ SPX, Y ↔ SPY		
Load A from memory	LMAD d	0 1 1 0 0 1 0 0 0 0 d ₉ d ₈ d ₇ d ₆ d ₅ d ₄ d ₃ d ₂ d ₁ d ₀	M → A		2/2
Load B from memory	LBM	0 0 0 1 0 0 0 0 0 0	M → B		1/1
	LBMX	0 0 0 1 0 0 0 0 0 1	M → B X ↔ SPX		
	LBMY	0 0 0 1 0 0 0 0 1 0	M → B Y ↔ SPY		
	LBMXY	0 0 0 1 0 0 0 0 1 1	M → B X ↔ SPX, Y ↔ SPY		
Load memory from A	LMA	0 0 1 0 0 1 0 1 0 0	A → M		1/1
	LMAX	0 0 1 0 0 1 0 1 0 1	A → M X ↔ SPX		
	LMAY	0 0 1 0 0 1 0 1 1 0	A → M Y ↔ SPY		
	LMAXY	0 0 1 0 0 1 0 1 1 1	A → M X ↔ SPX, Y ↔ SPY		
Load memory from A	LMAD d	0 1 1 0 0 1 0 1 0 0 d ₉ d ₈ d ₇ d ₆ d ₅ d ₄ d ₃ d ₂ d ₁ d ₀	A → M		2/2
Load memory from A, increment Y	LMAIY	0 0 0 1 0 1 0 0 0 0	A → M, Y + 1 → Y	NZ	1/1
	LMAIYX	0 0 0 1 0 1 0 0 0 1	A → M, Y + 1 → Y X ↔ SPX		
Load memory from A, decrement Y	LMADY	0 0 1 1 0 1 0 0 0 0	A → M, Y - 1 → Y	NB	1/1
	LMADYX	0 0 1 1 0 1 0 0 0 1	A → M, Y - 1 → Y X ↔ SPX		

Table 33 RAM Register Instructions (cont)

Operation	Mnemonic	Operation Code	Function	Status	Words/ Cycles
Exchange memory and A	XMA	0 0 1 0 0 0 0 0 0 0	M ↔ A		1/1
	XMAX	0 0 1 0 0 0 0 0 0 1	M ↔ A X ↔ SPX		
	XMAY	0 0 1 0 0 0 0 0 1 0	M ↔ A Y ↔ SPY		
	XMAXY	0 0 1 0 0 0 0 0 1 1	M ↔ A X ↔ SPX, Y ↔ SPY		
Exchange memory and A	XMAD d	0 1 1 0 0 0 0 0 0 0 d ₉ d ₈ d ₇ d ₆ d ₅ d ₄ d ₃ d ₂ d ₁ d ₀	M ↔ A		2/2
Exchange memory and B	XMB	0 0 1 1 0 0 0 0 0 0	M ↔ B		1/1
	XMBX	0 0 1 1 0 0 0 0 0 1	M ↔ B X ↔ SPX		
	XMBY	0 0 1 1 0 0 0 0 1 0	M ↔ B Y ↔ SPY		
	XMBXY	0 0 1 1 0 0 0 0 1 1	M ↔ B X ↔ SPX, Y ↔ SPY		

Table 34 Arithmetic Instructions

Operation	Mnemonic	Operation Code	Function	Status	Words/ Cycles
Add immediate to A	AI i	1 0 1 0 0 0 i_3 i_2 i_1 i_0	$A + i \rightarrow A$	OVF	1/1
Increment B	IB	0 0 0 1 0 0 1 1 0 0	$B + 1 \rightarrow B$	NZ	1/1
Decrement B	DB	0 0 1 1 0 0 1 1 1 1	$B - 1 \rightarrow B$	NB	1/1
Decimal adjust for addition	DAA	0 0 1 0 1 0 0 1 1 0			1/1
Decimal adjust for subtraction	DAS	0 0 1 0 1 0 1 0 1 0			1/1
Negate A	NEGA	0 0 0 1 1 0 0 0 0 0	$\bar{A} + 1 \rightarrow A$		1/1
Complement B	COMB	0 1 0 1 0 0 0 0 0 0	$\bar{B} \rightarrow B$		1/1
Rotate right A with carry	ROTR	0 0 1 0 1 0 0 0 0 0			1/1
Rotate left A with carry	ROTL	0 0 1 0 1 0 0 0 0 1			1/1
Set carry	SEC	0 0 1 1 1 0 1 1 1 1	$1 \rightarrow CA$		1/1
Reset carry	REC	0 0 1 1 1 0 1 1 0 0	$0 \rightarrow CA$		1/1
Test carry	TC	0 0 0 1 1 0 1 1 1 1		CA	1/1
Add A to memory	AM	0 0 0 0 0 0 1 0 0 0	$M + A \rightarrow A$	OVF	1/1
Add A to memory	AMD d	0 1 0 0 0 0 1 0 0 0 d_9 d_8 d_7 d_6 d_5 d_4 d_3 d_2 d_1 d_0	$M + A \rightarrow A$	OVF	2/2
Add A to memory with carry	AMC	0 0 0 0 0 0 1 1 0 0	$M + A + CA \rightarrow A$ $OVF \rightarrow CA$	OVF	1/1
Add A to memory with carry	AMCD d	0 1 0 0 0 0 1 1 0 0 d_9 d_8 d_7 d_6 d_5 d_4 d_3 d_2 d_1 d_0	$M + A + CA \rightarrow A$ $OVF \rightarrow CA$	OVF	2/2
Subtract A from memory with carry	SMC	0 0 1 0 0 0 1 1 0 0	$M - A - \bar{CA} \rightarrow A$ $NB \rightarrow CA$	NB	1/1
Subtract A from memory with carry	SMCD d	0 1 1 0 0 0 1 1 0 0 d_9 d_8 d_7 d_6 d_5 d_4 d_3 d_2 d_1 d_0	$M - A - \bar{CA} \rightarrow A$ $NB \rightarrow CA$	NB	2/2
OR A and B	OR	0 1 0 1 0 0 0 1 0 0	$A \cup B \rightarrow A$		1/1
AND memory with A	ANM	0 0 1 0 0 1 1 1 0 0	$A \cap M \rightarrow A$	NZ	1/1
AND memory with A	ANMD d	0 1 1 0 0 1 1 1 0 0 d_9 d_8 d_7 d_6 d_5 d_4 d_3 d_2 d_1 d_0	$A \cap M \rightarrow A$	NZ	2/2
OR memory with A	ORM	0 0 0 0 0 0 1 1 0 0	$A \cup M \rightarrow A$	NZ	1/1
OR memory with A	ORMD d	0 1 0 0 0 0 1 1 0 0 d_9 d_8 d_7 d_6 d_5 d_4 d_3 d_2 d_1 d_0	$A \cup M \rightarrow A$	NZ	2/2
EOR memory with A	EORM	0 0 0 0 0 1 1 1 0 0	$A \oplus M \rightarrow A$	NZ	1/1
EOR memory with A	EORMD d	0 1 0 0 0 1 1 1 0 0 d_9 d_8 d_7 d_6 d_5 d_4 d_3 d_2 d_1 d_0	$A \oplus M \rightarrow A$	NZ	2/2

Table 35 Compare Instructions

Operation	Mnemonic	Operation Code	Function	Status	Words/ Cycles
Immediate not equal to memory	INEM i	0 0 0 0 1 0 i_3 i_2 i_1 i_0	$i \neq M$	NZ	1/1
Immediate not equal to memory	INEMD i,d	0 1 0 0 1 0 i_3 i_2 i_1 i_0 d_9 d_8 d_7 d_6 d_5 d_4 d_3 d_2 d_1 d_0	$i \neq M$	NZ	2/2
A not equal to memory	ANEM	0 0 0 0 0 0 0 1 0 0	$A \neq M$	NZ	1/1
A not equal to memory	ANEMD d	0 1 0 0 0 0 0 1 0 0 d_9 d_8 d_7 d_6 d_5 d_4 d_3 d_2 d_1 d_0	$A \neq M$	NZ	2/2
B not equal to memory	BNEM	0 0 0 1 0 0 0 1 0 0	$B \neq M$	NZ	1/1
Y not equal to immediate	YNEI i	0 0 0 1 1 1 i_3 i_2 i_1 i_0	$Y \neq i$	NZ	1/1
Immediate less than or equal to memory	ILEM i	0 0 0 0 1 1 i_3 i_2 i_1 i_0	$i \leq M$	NB	1/1
Immediate less than or equal to memory	ILEMD i,d	0 1 0 0 1 1 i_3 i_2 i_1 i_0 d_9 d_8 d_7 d_6 d_5 d_4 d_3 d_2 d_1 d_0	$i \leq M$	NB	2/2
A less than or equal to memory	ALEM	0 0 0 0 0 1 0 1 0 0	$A \leq M$	NB	1/1
A less than or equal to memory	ALEMD d	0 1 0 0 0 1 0 1 0 0 d_9 d_8 d_7 d_6 d_5 d_4 d_3 d_2 d_1 d_0	$A \leq M$	NB	2/2
B less than or equal to memory	BLEM	0 0 1 1 0 0 0 1 0 0	$B \leq M$	NB	1/1
A less than or equal to immediate	ALEI i	1 0 1 0 1 1 i_3 i_2 i_1 i_0	$A \leq i$	NB	1/1

Table 36 RAM Bit Manipulation Instructions

Operation	Mnemonic	Operation Code	Function	Status	Words/ Cycles
Set memory bit	SEM n	0 0 1 0 0 0 0 1 n_1 n_0	$i \rightarrow M(n)$		1/1
Set memory bit	SEMD n,d	0 1 1 0 0 0 0 1 n_1 n_0 d_9 d_8 d_7 d_6 d_5 d_4 d_3 d_2 d_1 d_0	$i \rightarrow M(n)$		2/2
Reset memory bit	REM n	0 0 1 0 0 0 1 0 n_1 n_0	$0 \rightarrow M(n)$		1/1
Reset memory bit	REMD n,d	0 1 1 0 0 0 1 0 n_1 n_0 d_9 d_8 d_7 d_6 d_5 d_4 d_3 d_2 d_1 d_0	$0 \rightarrow M(n)$		2/2
Test memory bit	TM n	0 0 1 0 0 0 1 1 n_1 n_0		M(n)	1/1
Test memory bit	TM n,d	0 1 1 0 0 0 1 1 n_1 n_0 d_9 d_8 d_7 d_6 d_5 d_4 d_3 d_2 d_1 d_0		M(n)	2/2

Table 37 ROM Address Instructions

Operation	Mnemonic	Operation Code	Function	Status	Words/ Cycles
Branch on status 1	BR b	1 1 b ₇ b ₆ b ₅ b ₄ b ₃ b ₂ b ₁ b ₀		1	1/1
Long branch on status 1	BRL u	0 1 0 1 1 1 p ₃ p ₂ p ₁ p ₀ d ₉ d ₈ d ₇ d ₆ d ₅ d ₄ d ₃ d ₂ d ₁ d ₀		1	2/2
Long jump unconditionally	JMPL u	0 1 0 1 0 1 p ₃ p ₂ p ₁ p ₀ d ₉ d ₈ d ₇ d ₆ d ₅ d ₄ d ₃ d ₂ d ₁ d ₀			2/2
Subroutine jump on status 1	CAL a	0 1 1 1 a ₅ a ₄ a ₃ a ₂ a ₁ a ₀		1	1/2
Long subroutine jump on status 1	CALL u	0 1 0 1 1 0 p ₃ p ₂ p ₁ p ₀ d ₉ d ₈ d ₇ d ₆ d ₅ d ₄ d ₃ d ₂ d ₁ d ₀		1	2/2
Table branch	TBR p	0 0 1 0 1 1 p ₃ p ₂ p ₁ p ₀			1/1
Return from subroutine	RTN	0 0 0 0 0 1 0 0 0 0			1/3
Return from interrupt	RTNI	0 0 0 0 0 1 0 0 0 1	1 → IE, carry restored	ST	1/3

Table 38 Input/Output Instructions

Operation	Mnemonic	Operation Code	Function	Status	Words/ Cycles
Set discrete I/O latch	SED	0 0 1 1 1 0 0 1 0 0	1 → D (Y)		1/1
Set discrete I/O latch direct	SEDD m	1 0 1 1 1 0 m ₃ m ₂ m ₁ m ₀	1 → D (m)		1/1
Reset discrete I/O latch	RED	0 0 0 1 1 0 0 1 0 0	0 → D (Y)		1/1
Reset discrete I/O latch direct	REDD m	1 0 0 1 1 0 m ₃ m ₂ m ₁ m ₀	0 → D (m)		1/1
Test discrete I/O latch	TD	0 0 1 1 1 0 0 0 0 0		D (Y)	1/1
Test discrete I/O latch direct	TDD m	1 0 1 0 1 0 m ₃ m ₂ m ₁ m ₀		D (m)	1/1
Load A from R-port register	LAR m	1 0 0 1 0 1 m ₃ m ₂ m ₁ m ₀	R (m) → A		1/1
Load B from R-port register	LBR m	1 0 0 1 0 0 m ₃ m ₂ m ₁ m ₀	R (m) → B		1/1
Load R-port register from A	LRA m	1 0 1 1 0 1 m ₃ m ₂ m ₁ m ₀	A → R (m)		1/1
Load R-port register from B	LRB m	1 0 1 1 0 0 m ₃ m ₂ m ₁ m ₀	B → R (m)		1/1
Pattern generation	P p	0 1 1 0 1 1 p ₃ p ₂ p ₁ p ₀			1/2

Table 39 Control Instructions

Operation	Mnemonic	Operation Code	Function	Status	Words/ Cycles
No operation	NOP	0 0 0 0 0 0 0 0 0 0			1/1
Start serial	STS	0 1 0 1 0 0 1 0 0 0			1/1
Standby mode/watch mode*	SBY	0 1 0 1 0 0 1 1 0 0			1/1
Stop mode/watch mode	STOP	0 1 0 1 0 0 1 1 0 1			1/1

Note: * Only after a transition from subactive mode.

EOL Product

Table 40 Opcode Map

R9	R8	0																		
		L	0	1	2	3	4	5	6	7	8	9	A	B	C	D	E	F		
0	0	NOP	XSPX	XSPY	XSPXY	ANEM					AM				ORM					
	1	RTN	RTNI			ALEM				AMC					EORM					
	2									INEM	i(4)									
	3									ILEM	i(4)									
	4		LBM(XY)				BNEM				LAB				IB					
	5		LMAIY(X)				AYY				LASPY				IY					
	6	NEGA					RED				LASPX							TC		
	7										YNEI	i(4)								
	8		XMA(XY)					SEM			n(2)		REM			n(2)		TM		n(2)
	9		LAM(XY)					LMA(XY)				SMC				ANM				
	A	ROTR	ROTL							DAA				DAS					LAY	
	B										TBR	p(4)								
	C		XMB(XY)				BLEM				LBA								DB	
	D		LMADY(X)				SYI				LYA								DY	
	E	TD					SEI				LXA				REC				SEC	
	F		LWI			i(2)														
1	0										LBI	i(4)								
	1										LYI	i(4)								
	2										LXI	i(4)								
	3										LAI	i(4)								
	4										LBR	m(4)								
	5										LAR	m(4)								
	6										REDD	m(4)								
	7										LAMR	m(4)								
	8										AI	i(4)								
	9										LMIIY	i(4)								
	A										TDD	m(4)								
	B										ALEI	i(4)								
	C										LRB	m(4)								
	D										LRA	m(4)								
	E										SEDD	m(4)								
	F										XMRA	m(4)								

One word/two cycle instructions
 One word/three cycle instructions
 RAM direct address instructions (two word/two cycle)
 Two word/two cycle instructions

Absolute Maximum Ratings

Item	Symbol	Value	Unit	Notes
Power supply voltage	V_{CC}	-0.3 to +7.0	V	
Programming voltage	V_{PP}	-0.3 to +14.0	V	1
Pin voltage	V_T	-0.3 to $V_{CC}+0.3$	V	
Allowable input current (total)	ΣI_o	100	mA	2
Allowable output current (total)	$-\Sigma I_o$	50	mA	3
Allowable input current (per pin)	I_o	4	mA	4,5
		30	mA	4,6
Allowable output current (per pin)	$-I_o$	4	mA	7,8
		20	mA	7,9
Operating temperature	Topr	-20 to +75	°C	10, 12
		-40 to +85	°C	11, 12
Storage temperature	Tstg	-55 to +125	°C	13

Notes: Permanent damage may occur if these maximum ratings are exceeded. Normal operation must be under the conditions stated in the electrical characteristics tables. If these conditions are exceeded, the LSI may malfunction or its reliability may be affected.

1. Applies to the HD407A4374, HD407C4374, HD407A4384, HD407C4384, HD407A4389, and HD407C4389 TEST (V_{PP}) pin.
2. The allowable input current (total) is the sum of all currents flowing from I/O pins to ground at the same time.
3. The allowable output current (total) is the sum of all currents flowing from V_{CC} to I/O pins.
4. The allowable input current (per pin) is the maximum current allowed to flow from any one I/O pin to ground.
5. Applies to pins D_0 to D_3 , D_8 , D_9 and port R.
6. Applies to pins D_4 to D_7 .
7. The allowable output current (per pin) is the maximum current allowed to flow from V_{CC} to any one I/O pin.
8. Applies to pins D_4 to D_9 and port R.
9. Applies to pins D_0 to D_3 .
10. Applies to Mask ROM
11. Applies to ZTAT™.
12. The operating temperature indicates the temperature range in which power can be supplied to the LSI (voltage V_{CC} shown in the electrical characteristics tables can be applied).
13. In the case of chips, the storage specification differs from that of the package products. Please consult your Hitachi sales representative for details.

Electrical Characteristics

DC Characteristics (HD404372, HD40A4372, HD40C4372, HD404374, HD40A4374, HD40C4374, HD404382, HD40A4382, HD40C4382, HD404384, HD40A4384, HD40C4384, HD404388, HD40A4388, HD40C4388, HD404389, HD40A4389, HD40C4389, HD404081, HD40A4081, HD40C4081, HD404082, HD40A4082, HD40C4082, HD404084, HD40A4084, HD40C4084: $V_{CC} = 1.8$ V to 5.5 V, GND = 0 V, $T_a = -20^{\circ}\text{C}$ to $+75^{\circ}\text{C}$; HCD404082, HCD40C4082, HCD404084, HCD40C4084: $V_{CC} = 1.8$ V to 5.5 V, GND = 0 V, $T_a = +75^{\circ}\text{C}$; HD407A4374, HD407C4374, HD407A4384, HD407C4384, HD407A4389, HD407C4389: $V_{CC} = 2.0$ V to 5.5 V, GND = 0 V, $T_a = -40^{\circ}\text{C}$ to $+85^{\circ}\text{C}$, unless otherwise specified)

Item	Symbol	Pins	min.	typ.	max.	Unit	Test conditions	Notes
Input high voltage	V_{IH}	RESET, SCK, SI, INT ₀ , WU ₀ , EVNB	$0.90V_{CC}$	—	$V_{CC}+0.3$	V		
		OSC ₁	$V_{CC}-0.3$	—	$V_{CC}+0.3$	V	External clock operation	
Input low voltage	V_{IL}	RESET, SCK, SI, INT ₀ , WU ₀ , EVNB	-0.3	—	$0.10V_{CC}$	V		
		OSC ₁	-0.3	—	0.3	V	External clock operation	
Output high voltage	V_{OH}	SCK, SO, TOB, TOC	$V_{CC}-0.5$	—	—	V	$-I_{OH}=0.3\text{mA}$	
Output low voltage	V_{OL}	SCK, SO, TOB, TOC	—	—	0.4	V	$I_{OL}=0.4\text{mA}$	
I/O leakage current	$ I_{IL} $	RESET, SCK, SI, INT ₀ , WU ₀ , EVNB, OSC ₁ , TOB, TOC, SO	—	—	1	μA	$V_{in}=0\text{V}$ to V_{CC}	1
Active mode current dissipation	I_{CC1}	V_{CC}	—	1.5	3.5	mA	$V_{CC}=5\text{V}$, $f_{osc}=4\text{MHz}$	2, 7
			—	1.2	2.5	mA		2, 8
	I_{CC2}	V_{CC}	—	0.4	1.0	mA	$V_{CC}=3\text{V}$, $f_{osc}=800\text{kHz}$	2, 7
			—	0.3	0.7	mA		2, 8
	I_{CC3}	V_{CC}	—	2.7	9.0	mA	$V_{CC}=5\text{V}$, $f_{osc}=8\text{MHz}$	2, 9
			—	2.2	4.5	mA		2, 10
Standby mode current dissipation	I_{SBY1}	V_{CC}	—	1.0	1.5	mA	$V_{CC}=5\text{V}$, $f_{osc}=4\text{MHz}$	3, 7
			—	0.6	1.3	mA		3, 8
	I_{SBY2}	V_{CC}	—	0.3	0.6	mA	$V_{CC}=3\text{V}$, $f_{osc}=800\text{kHz}$	3, 7
			—	0.2	0.5	mA		3, 8
	I_{SBY3}	V_{CC}	—	1.4	4.0	mA	$V_{CC}=5\text{V}$, $f_{osc}=8\text{MHz}$	3, 9
			—	1.0	2.5	mA		3, 10
Subactive mode current dissipation	I_{SUB}	V_{CC}	—	18	35	μA	$V_{CC} = 3\text{V}$, 32 kHz oscillator used	4, 5
Watch mode current dissipation	I_{WTC}	V_{CC}	—	6	10	μA	$V_{CC} = 3\text{V}$, 32 kHz oscillator used	4, 5

HD404374/HD404384/HD404389/HD404082/HD404084 Series

Item	Symbol	Pins	min.	typ.	max.	Unit	Test conditions	Notes
Stop mode current dissipation	I_{STOP}	V_{CC}	—	—	5	μA	$V_{CC} = 3\text{ V}$, no 32 kHz oscillator	4
Stop mode retention voltage	V_{STOP}	V_{CC}	1.5	—	—	V	no 32 kHz oscillator	6

- Notes:
1. Excludes output buffer current.
 2. Power supply current when the MCU is in the reset state and there are no I/O currents.

Test Conditions	MCU State	
		• Reset state
	Pin States	• $\overline{\text{RESET}}$, TEST: At ground

3. Power supply current when the on-chip timers are operating and there are no I/O currents.

Test Conditions	MCU State	
		• I/O: Same as reset state
		• Standby mode
		• $f_{cyc} = f_{OSC}/4$
	Pin States	• $\overline{\text{RESET}}$: At V_{CC}
		• TEST: At ground
		• D port, R port: At V_{CC}

4. Power supply current when there are no I/O currents.

Test Conditions	Pin States	
		• $\overline{\text{RESET}}$: At V_{CC}
		• TEST: At ground
		• D port, R port: At V_{CC}

5. Applies to HD404374 Series.
6. Voltage needed to retain RAM data.
7. Applies to HD404374, HD404384, and HD404389 Series.
8. Applies to HD404082 and HD404084 Series.
9. Applies to HD40A4374/2, HD407A4374, HD40A4384/2, HD407A4384, HD40A4389/8 and HD407A4389.
10. Applies to HD40A4082/1 and HD40A4084.

HD404374/HD404384/HD404389/HD404082/HD404084 Series

I/O Characteristics for Standard Pins DC Characteristics (HD404372, HD40A4372, HD40C4372, HD404374, HD40A4374, HD40C4374, HD404382, HD40A4382, HD40C4382, HD404384, HD40A4384, HD40C4384, HD404388, HD40A4388, HD40C4388, HD404389, HD40A4389, HD40C4389, HD404081, HD40A4081, HD40C4081, HD404082, HD40A4082, HD40C4082, HD404084, HD40A4084, HD40C4084: $V_{CC} = 1.8\text{ V to }5.5\text{ V}$, $GND = 0\text{ V}$, $T_a = -20^\circ\text{C to }+75^\circ\text{C}$; HCD404082, HCD40C4082, HCD404084, HCD40C4084: $V_{CC} = 1.8\text{ V to }5.5\text{ V}$, $GND = 0\text{ V}$, $T_a = +75^\circ\text{C}$; HD407A4374, HD407C4374, HD407A4384, HD407C4384, HD407A4389, HD407C4389: $V_{CC} = 2.0\text{ V to }5.5\text{ V}$, $GND = 0\text{ V}$, $T_a = -40^\circ\text{C to }+85^\circ\text{C}$, unless otherwise specified)

Item	Symbol	Pins	min.	typ.	max.	Unit	Test conditions	Notes
Input high voltage	V_{IH}	R port, D ₈ , D ₉	$0.7V_{CC}$	—	$V_{CC}+0.3$	V		
Input low voltage	V_{IL}	R port, D ₈ , D ₉	-0.3	—	$0.3V_{CC}$	V		
Output high voltage	V_{OH}	R port, D ₈ , D ₉	$V_{CC}-0.5$	—	—	V	$-I_{OH}=0.3\text{mA}$	
Output low voltage	V_{OL}	R port, D ₈ , D ₉	—	—	0.4	V	$I_{OL}=0.4\text{mA}$	
I/O leakage current	$ I_{L} $	R port, D ₈ , D ₉	—	—	1	μA	$V_{in}=0\text{V to }V_{CC}$	1
MOS pull-up current	$-I_{PU}$	R port, D ₈ , D ₉	10	50	150	μA	$V_{CC}=3\text{V}$, $V_{in}=0\text{V}$	

Note: 1. Excludes output buffer current.

I/O Characteristics for High-Current Pins DC Characteristics (HD404372, HD40A4372, HD40C4372, HD404374, HD40A4374, HD40C4374, HD404382, HD40A4382, HD40C4382, HD404384, HD40A4384, HD40C4384, HD404388, HD40A4388, HD40C4388, HD404389, HD40A4389, HD40C4389, HD404081, HD40A4081, HD40C4081, HD404082, HD40A4082, HD40C4082, HD404084, HD40A4084, HD40C4084: $V_{CC} = 1.8\text{ V to }5.5\text{ V}$, $GND = 0\text{ V}$, $T_a = -20^\circ\text{C to }+75^\circ\text{C}$; HCD404082, HCD40C4082, HCD404084, HCD40C4084: $V_{CC} = 1.8\text{ V to }5.5\text{ V}$, $GND = 0\text{ V}$, $T_a = +75^\circ\text{C}$; HD407A4374, HD407C4374, HD407A4384, HD407C4384, HD407A4389, HD407C4389: $V_{CC} = 2.0\text{ V to }5.5\text{ V}$, $GND = 0\text{ V}$, $T_a = -40^\circ\text{C to }+85^\circ\text{C}$, unless otherwise specified)

Item	Symbol	Pins	min.	typ.	max.	Unit	Test conditions	Notes
Input high voltage	V_{IH}	D ₀ to D ₇	$0.7V_{CC}$	—	$V_{CC}+0.3$	V		
Input low voltage	V_{IL}	D ₀ to D ₇	-0.3	—	$0.3V_{CC}$	V		
Output high voltage	V_{OH}	D ₄ to D ₇	$V_{CC}-0.5$	—	—	V	$-I_{OH}=0.3\text{mA}$	
		D ₀ to D ₃	$V_{CC}-2.0$	—	—	V	$-I_{OH}=10\text{mA}$, $V_{CC}=4.5\text{ to }5.5\text{V}$	
Output low voltage	V_{OL}	D ₀ to D ₃	—	—	0.4	V	$I_{OL}=0.4\text{mA}$	
		D ₄ to D ₇	—	—	2.0	V	$I_{OL}=15\text{mA}$ $V_{CC}=4.5\text{V to }5.5\text{V}$	
I/O leakage current	$ I_{L} $	D ₀ to D ₇	—	—	1	μA	$V_{in}=0\text{V to }V_{CC}$	1
MOS pull-up current	$-I_{PU}$	D ₀ to D ₇	10	50	150	μA	$V_{CC}=3\text{V}$, $V_{in}=0\text{V}$	

Note: 1. Excludes output buffer current.

HD404374/HD404384/HD404389/HD404082/HD404084 Series

A/D Converter Characteristics (HD404374/HD404384/HD404389 Series) (Mask ROM: $V_{CC} = 1.8\text{ V}$ to 5.5 V , $GND = 0\text{ V}$, $T_a = -20^\circ\text{C}$ to $+75^\circ\text{C}$; ZTAT™: $V_{CC} = 2.0\text{ V}$ to 5.5 V , $GND = 0\text{ V}$, $T_a = -20^\circ\text{C}$ to $+75^\circ\text{C}$, unless otherwise specified)

Item	Symbol	Pins	min.	typ.	max.	Unit	Test conditions	Notes
Analog power supply voltage	AV_{CC}	AV_{CC}	$V_{CC}-0.3$	V_{CC}	$V_{CC}+0.3$	V		1
Analog input voltage	AV_{in}	AN_0 to AN_5	AV_{SS}	—	AV_{CC}	V		
AV_{CC} - AV_{SS} current	I_{AD}		—	—	500	μA	$V_{CC}=AV_{CC}=5.0\text{V}$	
Analog input capacitance	CA_{in}	AN_0 to AN_5	—	15	—	pF		
Resolution			—	10	—	bit		
Number of inputs			0	—	4	channel		
Absolute accuracy			—	—	± 4.0	LSB	$V_{CC}=AV_{CC}=1.8\text{V to }5.5\text{V}$ $V_{CC}=AV_{CC}=2.0\text{V to }5.5\text{V}$	2 3
Conversion time			125	—	—	t_{cyc}	$V_{CC}=AV_{CC}=1.8\text{V to }2.0\text{V}$ or less	2
			65	—	—	t_{cyc}	$V_{CC}=AV_{CC}=2.0\text{V to }5.5\text{V}$	
Input impedance		AN_0 to AN_5	1	—	—	$M\Omega$		

Notes: 1. Connect to the V_{CC} pin when the A/D converter is not used. The AV_{CC} setting range is $1.8\text{ V} \leq AV_{CC} \leq 5.5\text{ V}$ (Mask ROM), $2.0\text{ V} \leq AV_{CC} \leq 5.5\text{ V}$ (ZTAT™).

2. Applies to Mask ROM.

3. Applies to ZTAT™.

HD404374/HD404384/HD404389/HD404082/HD404084 Series

AC Characteristics DC Characteristics (HD404372, HD40A4372, HD40C4372, HD404374, HD40A4374, HD40C4374, HD404382, HD40A4382, HD40C4382, HD404384, HD40A4384, HD40C4384, HD404388, HD40A4388, HD40C4388, HD404389, HD40A4389, HD40C4389, HD404081, HD40A4081, HD40C4081, HD404082, HD40A4082, HD40C4082, HD404084, HD40A4084, HD40C4084: $V_{CC} = 1.8\text{ V to }5.5\text{ V}$, $GND = 0\text{ V}$, $T_a = -20^\circ\text{C to }+75^\circ\text{C}$; HCD404082, HCD40C4082, HCD404084, HCD40C4084: $V_{CC} = 1.8\text{ V to }5.5\text{ V}$, $GND = 0\text{ V}$, $T_a = +75^\circ\text{C}$; HD407A4374, HD407C4374, HD407A4384, HD407C4384, HD407A4389, HD407C4389: $V_{CC} = 2.0\text{ V to }5.5\text{ V}$, $GND = 0\text{ V}$, $T_a = -40^\circ\text{C to }+85^\circ\text{C}$, unless otherwise specified)

Item	Symbol	Pins	min.	typ.	max.	Unit	Test conditions	Notes
Clock oscillation frequency (ceramic oscillator, crystal oscillator)	f_{OSC}	OSC ₁ , OSC ₂	0.4	—	4.5	MHz	Division by 4	1
			0.4	—	8.5			1, 3
	f_x	X1,X2	—	32.768	—	kHz		4
Clock oscillation frequency (Resistance oscillation)	f_{OSC}	OSC ₁ , OSC ₂	0.5	2.0	3.5	MHz	Division by 4 Rf=20 kΩ	2, 13
			0.5	2.2	3.5			2, 12
Instruction cycle time (external clock, ceramic oscillator, crystal oscillator)	t_{cyc}		0.89	—	10	μs	Division by 4	—
			0.47	—	10			3
	t_{subcyc}		—	244.14	—	μs	32 kHz oscillator used, 4 division by 8	4
			—	122.07	—	μs	32 kHz oscillator used, 4 division by 4	4
Instruction cycle time (Resistance oscillation)	t_{cyc}		1.14	—	8.0	μs	Division by 4 Rf=20 kΩ	5
Oscillation settling time (external clock input)	t_{RC}	OSC ₁ , OSC ₂	—	—	7.5	ms		6
Oscillation settling time (ceramic oscillator)	t_{RC}	OSC ₁ , OSC ₂	—	—	7.5	ms	$V_{CC}=2.0\text{ to }5.5\text{V}$	6
Oscillation settling time (crystal oscillator)	t_{RC}	OSC ₁ , OSC ₂	—	—	30	ms	$V_{CC}=2.0\text{ to }5.5\text{V}$	6
		X1,X2	—	—	2	s	$T_a=-10\text{ to }+60^\circ\text{C}$, $V_{CC}=2.0\text{ to }5.5\text{V}$	4, 6
Oscillation setting time (Resistance oscillation)	t_{RC}	OSC ₁ , OSC ₂	—	—	0.5	ms	Rf=20 kΩ $V_{CC}=2.0\text{ to }5.5\text{V}$	5, 6
External clock high-level width	t_{CPH}	OSC ₁	105	—	—	ns	$f_{OSC}=4\text{MHz}$	7
			52.5				$f_{OSC}=8\text{MHz}$	3, 7
External clock low-level width	t_{CPL}	OSC ₁	105	—	—	ns	$f_{OSC}=4\text{MHz}$	7
			52.5				$f_{OSC}=8\text{MHz}$	3, 7
External clock rise time	t_{CPr}	OSC ₁	—	—	20	ns	$f_{OSC}=4\text{MHz}$	7
					10		$f_{OSC}=8\text{MHz}$	3, 7
External clock fall time	t_{CPf}	OSC ₁	—	—	20	ns	$f_{OSC}=4\text{MHz}$	7
					10		$f_{OSC}=8\text{MHz}$	3, 7
\overline{INT}_0 , EVNB, \overline{WU}_0 high-level width	t_{IH}	\overline{INT}_0 , EVNB, \overline{WU}_0	2	—	—	t_{cyc}/t_{subcyc}		8

HD404374/HD404384/HD404389/HD404082/HD404084 Series

Item	Symbol	Pins	min.	typ.	max.	Unit	Test conditions	Notes
$\overline{\text{INT}}_0$, EVNB, $\overline{\text{WU}}_0$, low-level width	t_{LL}	$\overline{\text{INT}}_0$, EVNB, $\overline{\text{WU}}_0$	2	—	—	$t_{\text{cyc}}/t_{\text{subcyc}}$		8
$\overline{\text{RESET}}$ low-level width	t_{RSTL}	$\overline{\text{RESET}}$	2	—	—	t_{cyc}		9
$\overline{\text{RESET}}$ rise time	t_{RSTr}	$\overline{\text{RESET}}$	—	—	20	ms		9
Input capacitance	C_{in}	All input pins except TEST	—	—	15	pF	$f=1\text{MHz}, V_{\text{in}}=0\text{V}$	
		TEST	—	—	15	pF		10
		TEST	—	—	40	pF		11
Capacitance between OSC ₁ and OSC ₂ (Resistance oscillation)	C_{RF}	OSC ₁ , OSC ₂	—	—	1	pF		5

- Notes:
- When the subsystem oscillator (32.768 kHz crystal oscillation) is used, use within the range $0.4\text{ MHz} \leq f_{\text{OSC}} \leq 1.0\text{ MHz}$ or $1.6\text{ MHz} \leq f_{\text{OSC}} \leq 8.5\text{ MHz}$. The SSR1 bit of the system clock select register (SSR) should be set to 0 and 1, respectively.
 - The typ. value is the value when $V_{\text{CC}} = 3.5\text{ V}$.
 - Applies to HD40A4372/4, HD40A4382/4, HD40A4388/9, HD40A4081/2, HD40A4084, HD407A4374, HD407A4384 and HD407A4389 when $V_{\text{CC}} = 4.0$ to 5.5 V .
 - Applies to HD404374 Series.
 - Applies to HD40C4372/4, HD407C4374, HD40C4382/4, HD407C4384, HD40C4388/9, HD407C4389, HD40C4081/2, HCD40C4082, HD40C4084, HCD40C4084.
 - The oscillation settling time is defined as follows:
 - The time required for the oscillation to settle after V_{CC} has reached standard minimum at power-on.
 - The time required for the oscillation to settle after $\overline{\text{RESET}}$ input has gone low when stop mode is cleared.

To ensure enough time for the oscillation to settle at power-on hold the $\overline{\text{RESET}}$ input low for at least time t_{RC} . The oscillation settling time will depend on the circuit constants and stray capacitance. The resonator should be determined in consultation with the resonator manufacturer. With regard to the system clock (OSC₁, OSC₂), bits MIS1 and MIS0 in the miscellaneous register (MIS) should be set according to the oscillation settling time of the resonator used.
 - See figure 79.
 - See figure 80.
 - See figure 81.
 - Applies to Mask ROM.
 - Applies to ZTAT™.
 - Applies to HD40C4081/2, HCD40C4082, HD40C4084, HCD40C4084.
 - Applies to HD40C4372/4, HD407C4374, HD40C4382/4, HD407C4384, HD40C4388/9, HD407C4389.

HD404374/HD404384/HD404389/HD404082/HD404084 Series

Serial interface timing characteristics DC Characteristics (HD404372, HD40A4372, HD40C4372, HD404374, HD40A4374, HD40C4374, HD404382, HD40A4382, HD40C4382, HD404384, HD40A4384, HD40C4384, HD404388, HD40A4388, HD40C4388, HD404389, HD40A4389, HD40C4389, HD404081, HD40A4081, HD40C4081, HD404082, HD40A4082, HD40C4082, HD404084, HD40A4084, HD40C4084: $V_{CC} = 1.8\text{ V to }5.5\text{ V}$, $GND = 0\text{ V}$, $T_a = -20^\circ\text{C to }+75^\circ\text{C}$; HCD404082, HCD40C4082, HCD404084, HCD40C4084: $V_{CC} = 1.8\text{ V to }5.5\text{ V}$, $GND = 0\text{ V}$, $T_a = +75^\circ\text{C}$; HD407A4374, HD407C4374, HD407A4384, HD407C4384, HD407A4389, HD407C4389: $V_{CC} = 2.0\text{ V to }5.5\text{ V}$, $GND = 0\text{ V}$, $T_a = -40^\circ\text{C to }+85^\circ\text{C}$, unless otherwise specified)

Item	Symbol	Pins	min.	typ.	max.	Unit	Test conditions	Notes
Serial clock cycle time	$t_{S_{cyc}}$	\overline{SCK}	1	—	—	t_{cyc}	See load in figure 83	1
Serial clock high-level width	$t_{S_{CKH}}$	\overline{SCK}	0.4	—	—	$t_{S_{cyc}}$	See load in figure 83	1
Serial clock low-level width	$t_{S_{CKL}}$	\overline{SCK}	0.4	—	—	$t_{S_{cyc}}$	See load in figure 83	1
Serial clock rise time	$t_{SC_{Kr}}$	\overline{SCK}	—	—	100	ns	See load in figure 83	1
Serial clock fall time	$t_{S_{CKf}}$	\overline{SCK}	—	—	100	ns	See load in figure 83	1
Serial output data delay time	t_{DSO}	SO	—	—	300	ns	See load in figure 83	1
Serial input data setup time	t_{SSI}	SI	200	—	—	ns		1
Serial input data hold time	t_{HSI}	SI	200	—	—	ns		1

During Serial Clock Input

Item	Symbol	Pins	min.	typ.	max.	Unit	Test conditions	Notes
Serial clock cycle time	$t_{S_{cyc}}$	\overline{SCK}	1	—	—	t_{cyc}		1
Serial clock high-level width	$t_{S_{CKH}}$	\overline{SCK}	0.4	—	—	$t_{S_{cyc}}$		1
Serial clock low-level width	$t_{S_{CKL}}$	\overline{SCK}	0.4	—	—	$t_{S_{cyc}}$		1
Serial clock rise time	$t_{SC_{Kr}}$	\overline{SCK}	—	—	100	ns		1
Serial clock fall time	$t_{S_{CKf}}$	\overline{SCK}	—	—	100	ns		1
Serial output data delay time	t_{DSO}	SO	—	—	300	ns	See load in figure 83	1
Serial input data setup time	t_{SSI}	SI	200	—	—	ns		1
Serial input data hold time	t_{HSI}	SI	200	—	—	ns		1

Note: 1. See figure 82.

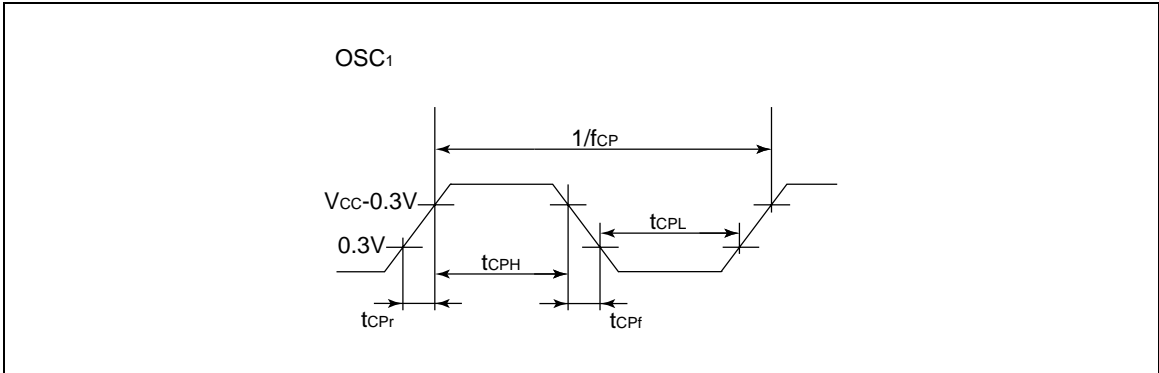


Figure 79 External Clock Input Waveform

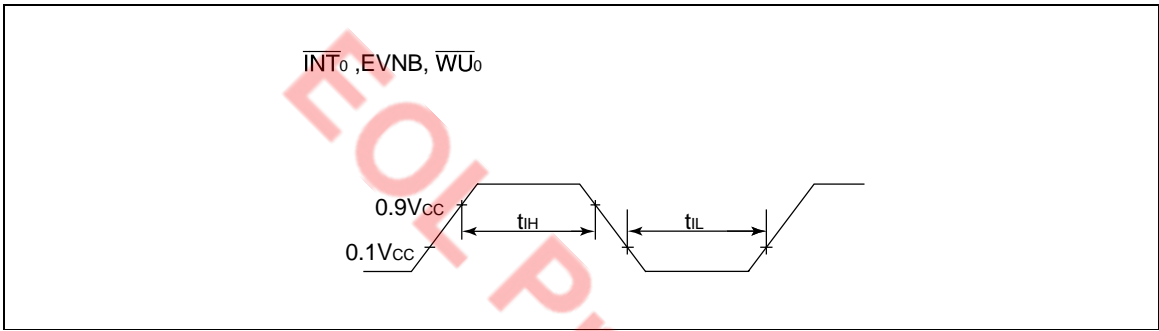


Figure 80 Interrupt Timing

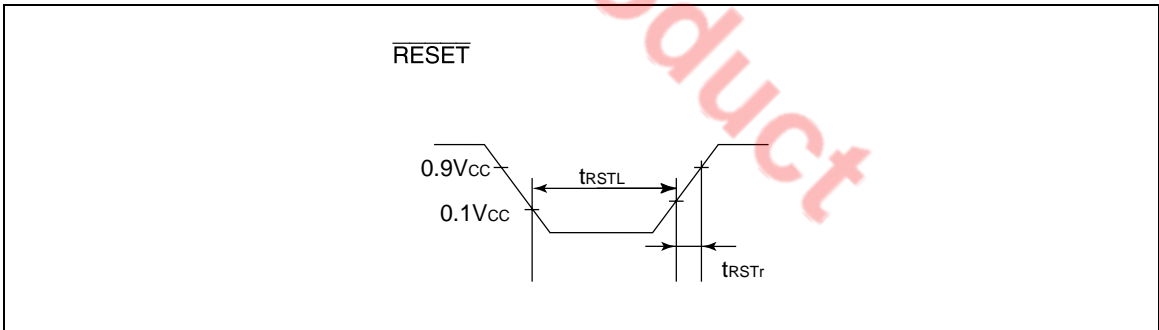


Figure 81 Reset Timing

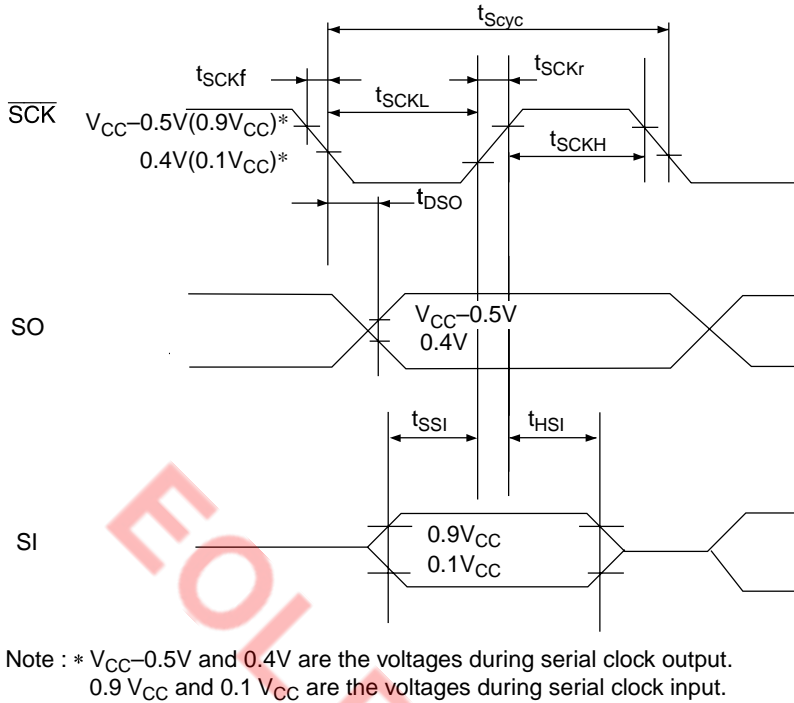


Figure 82 Serial Interface Timing

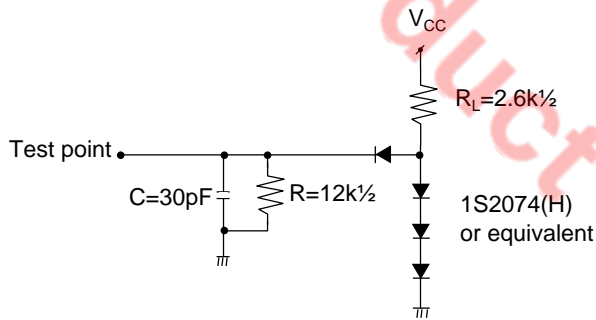
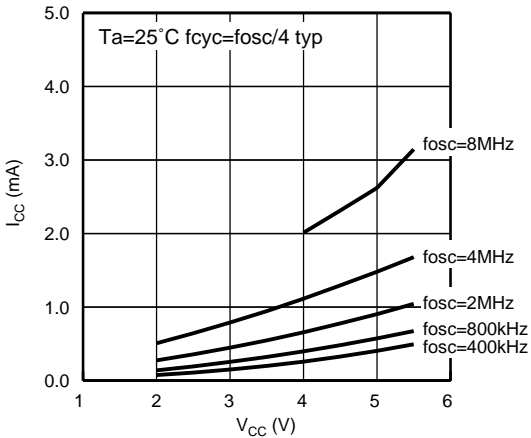
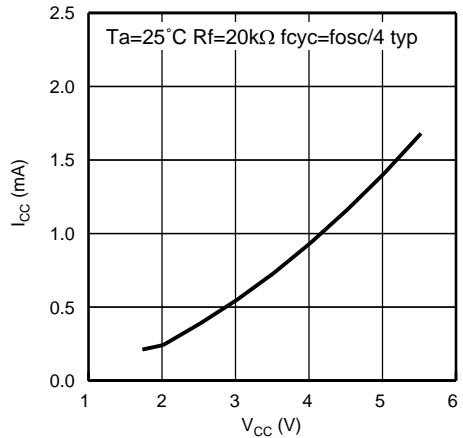


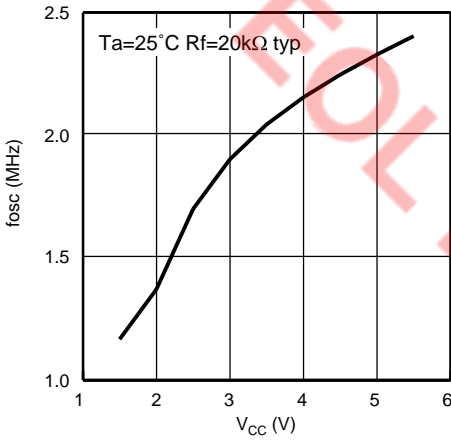
Figure 83 Timing Load Circuit



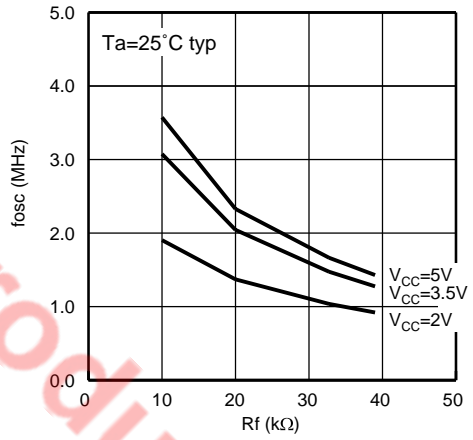
(a) I_{CC} vs. V_{CC} characteristic (ceramic oscillation, crystal oscillation)



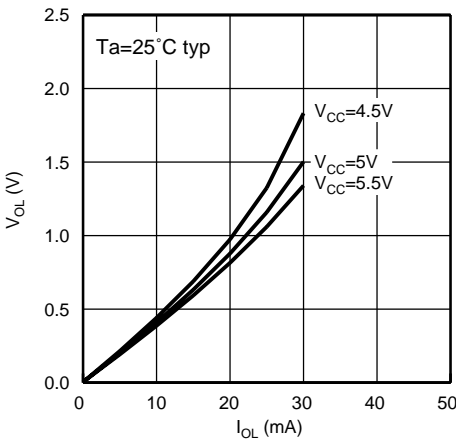
(b) I_{CC} vs. V_{CC} characteristic (resistance oscillation)



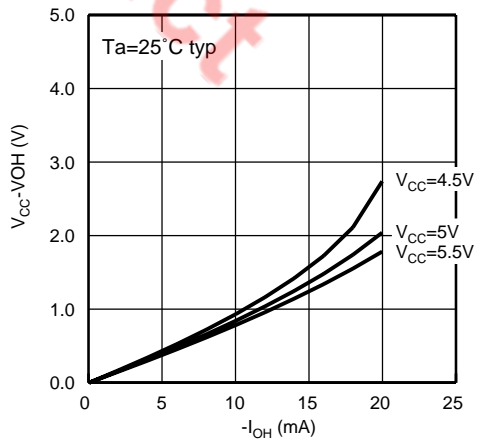
(c) f_{osc} vs. V_{CC} characteristic (resistance oscillation)



(d) f_{osc} vs. R_f characteristic (resistance oscillation)

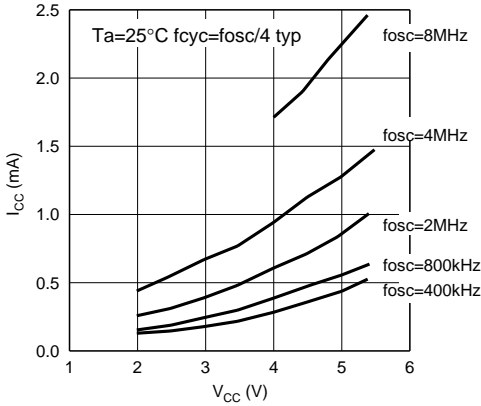


(e) V_{OL} vs. I_{OL} characteristic (pins D4 to D7)

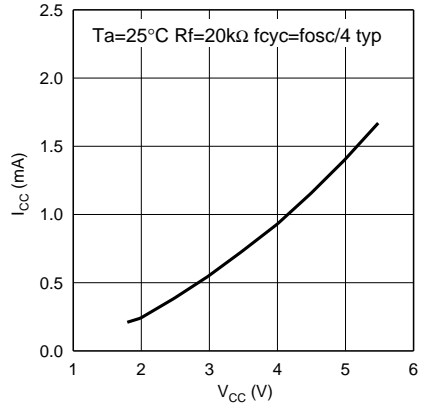


(f) $V_{CC} - V_{OH}$ vs. I_{OH} characteristic (pins D0 to D3)

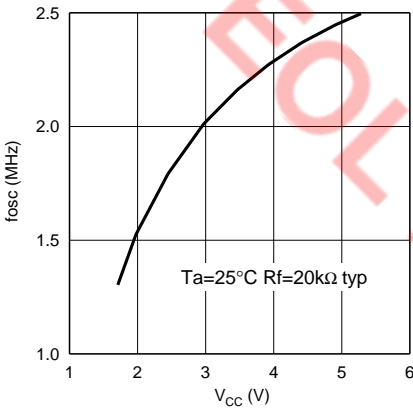
Figure 84 HD404374, HD404384, and HD404389 Series Characteristic Curves (Reference Values)



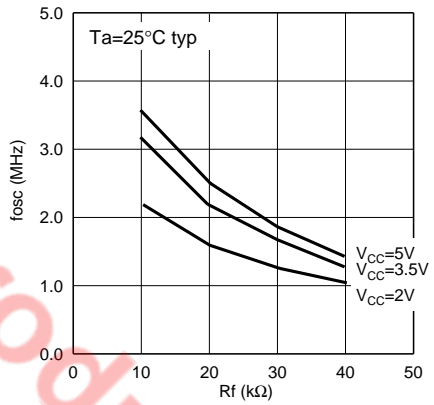
(a) I_{CC} vs. V_{CC} characteristic (ceramic oscillation, crystal oscillation)



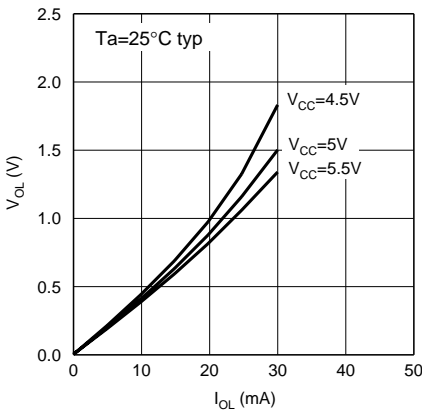
(b) I_{CC} vs. V_{CC} characteristic (resistance oscillation)



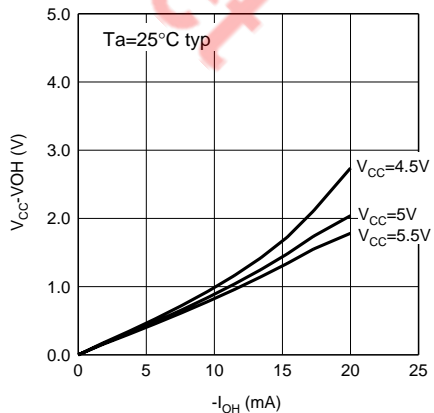
(c) f_{osc} vs. V_{CC} characteristic (resistance oscillation)



(d) f_{osc} vs. R_f characteristic (resistance oscillation)



(e) V_{OH} vs. I_{OL} characteristic (pins D4 to D7)

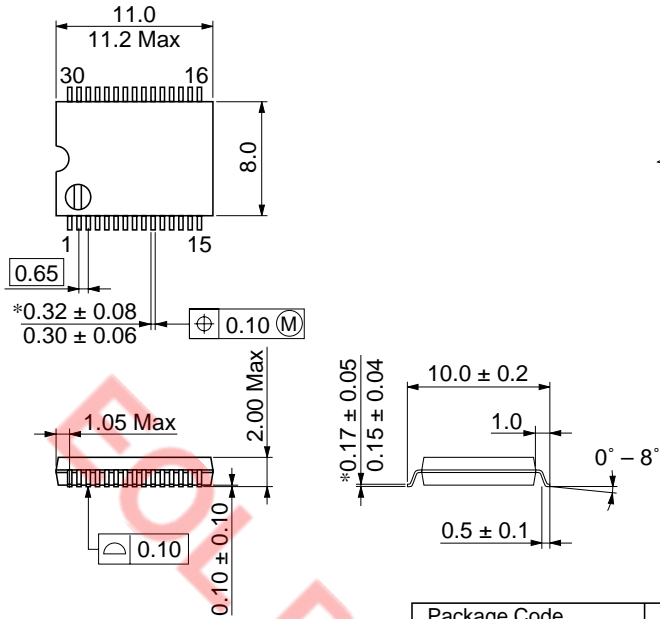


(f) $V_{CC} - V_{OH}$ vs. I_{OH} characteristic (pins D0 to D3)

Figure 85 HD404082 and HD404084 Series Characteristic Curves (Reference Values)

Package Dimensions

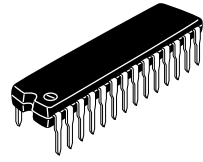
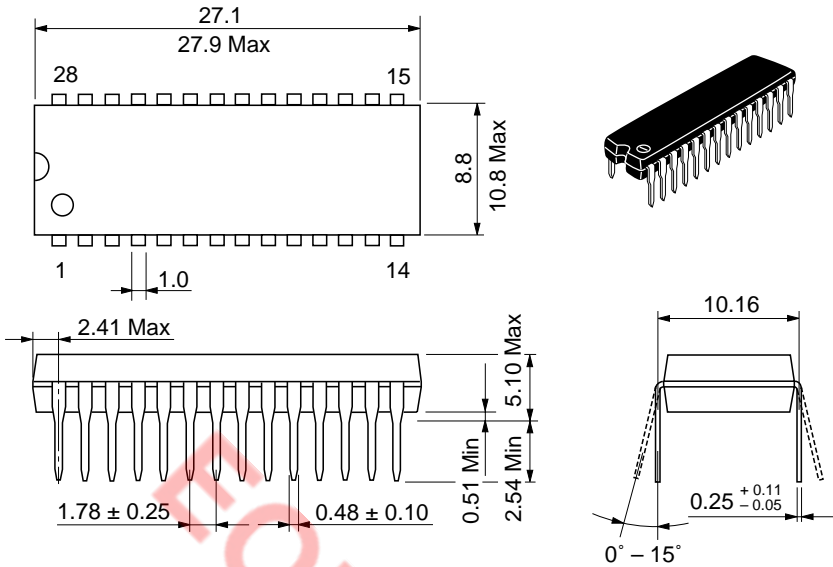
Unit: mm



*Dimension including the plating thickness
Base material dimension

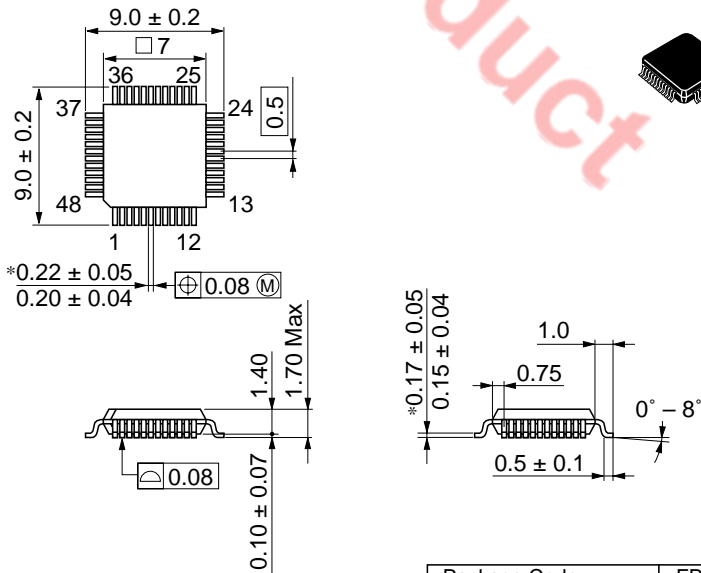
Package Code	FP-30D
JEDEC	—
EIAJ	—
Weight (reference value)	—

Unit: mm



Package Code	DP-28S
JEDEC	—
EIAJ	Conforms
Weight (reference value)	1.9 g

Unit: mm



Package Code	FP-48B
JEDEC	—
EIAJ	—
Weight (reference value)	0.2 g

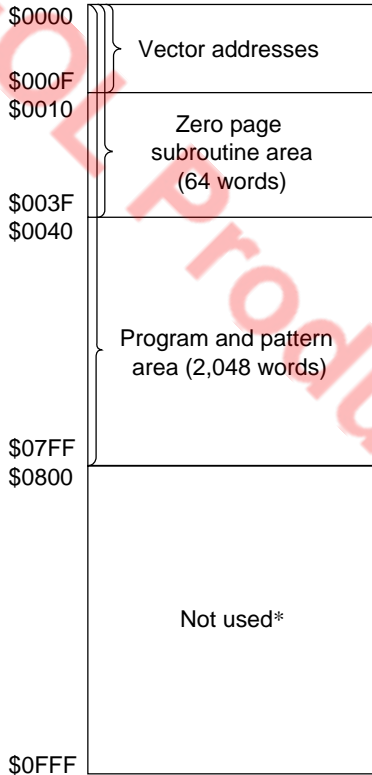
*Dimension including the plating thickness
Base material dimension

Note on ROM Ordering

Please note the following when ordering HD404372, HD40A4372, HD40C4372, HD404382, HD40A4382 and HD40C4382 ROM.

When ordering ROM, please fill the "Not used" areas below with all-1 data, to give the same amount of data as for the 4-kwargs version (HD404374, HD40A4374, HD40C4372, HD404384, HD40A4384, HD40C4384). The program that converts ROM data to mask drawing data is the same as that used for the 4-kwargs version, and therefore the same amount of data is necessary. This applies both to orders using EPROM and orders using data transmission.

2-kword ROM
 version: HD404372, HD40A4372, HD40C4372,
 HD404382, HD40A4382, HD40C4382
 Write all-1 data to addresses
 \$0800 to \$0FFF.

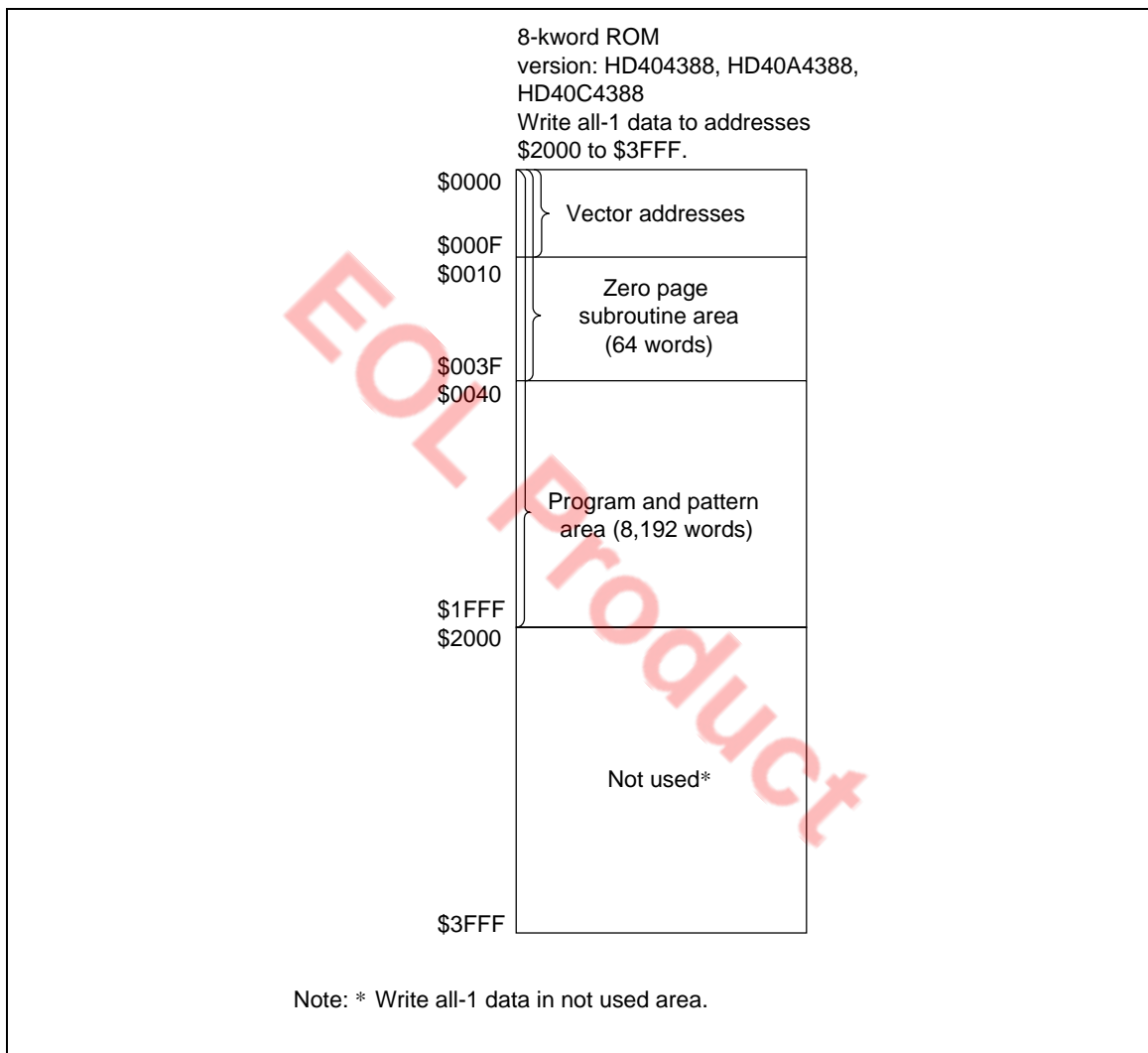


Note: * Write all-1 data in not used area.

HD404374/HD404384/HD404389/HD404082/HD404084 Series

Please note the following when ordering HD404388, HD40A4388 and HD40C4388 ROM.

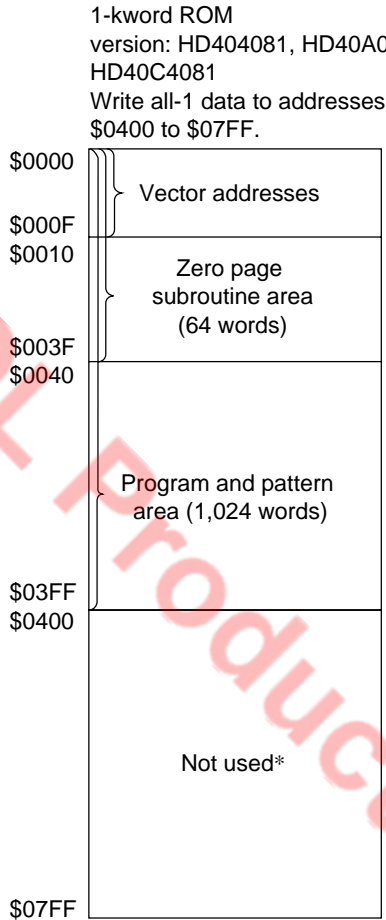
When ordering ROM, please fill the "Not used" areas below with all-1 data, to give the same amount of data as for the 16-kwords version (HD404389, HD40A4389, HD40C4389). The program that converts ROM data to mask drawing data is the same as that used for the 16-kwords version, and therefore the same amount of data is necessary. This applies both to orders using EPROM and orders using data transmission.



HD404374/HD404384/HD404389/HD404082/HD404084 Series

Please note the following when ordering HD404081, HD40A4081 and HD40C4081 ROM.

When ordering ROM, please fill the "Not used" areas below with all-1 data, to give the same amount of data as for the 2-words version (HD404082, HD40A4082, HD40C4082). The program that converts ROM data to mask drawing data is the same as that used for the 2-words version, and therefore the same amount of data is necessary. This applies both to orders using EPROM and orders using data transmission.



Note: * Write all-1 data in not used area.

**Option List HD404372, HD404374, HD40A4372, HD40A4374, HD40C4372,
HD40C4374**

Please check off the appropriate applications and enter the necessary information.

Date of order	Year	Month	Day
Customer			
Department			
Name			
ROM code name			
LSI number (Renesas Technology entry)			

1. ROM Size

<input type="checkbox"/> Standard operation version: HD404372	2 kwords
<input type="checkbox"/> High-speed operation version: HD40A4372	
<input type="checkbox"/> CR oscillation version: HD40C4372	
<input type="checkbox"/> Standard operation version: HD404374	4 kwords
<input type="checkbox"/> High-speed operation version: HD40A4374	
<input type="checkbox"/> CR oscillation version: HD40C4374	

2. Function Options

* <input type="checkbox"/> 32 kHz CPU operation, realtime clock time base
* <input type="checkbox"/> No 32 kHz CPU operation, realtime clock time base
<input type="checkbox"/> No 32 kHz CPU operation, no realtime clock time base

Note: * When an asterisked item is selected, "crystal resonator" is necessary for subsystem oscillator (X1 X2).

3. ROM Code Data Organization

For a microcomputer with EPROM mounted (including a ZTAT™ microcomputer), specify the combined upper/lower type.

<input type="checkbox"/> Combined lower/upper type
• Both the lower 5 data bits (L) and the upper 5 data bits (U) are written to a single EPROM in the order LULULU...
<input type="checkbox"/> Separate lower/upper type
• The lower 5 data bits (L) and upper 5 data bits (U) are written to separate EPROMs respectively.

4. System Oscillator (OSC1-OSC2) (Shading means selection is not available)

	HD404372/4, HD40A4372/4	HD40C4372/4
<input type="checkbox"/> Ceramic oscillator	f = MHz	
<input type="checkbox"/> Crystal oscillator	f = MHz	
<input type="checkbox"/> External clock	f = MHz	
<input type="checkbox"/> Resistance oscillator		

5. Subsystem Oscillator (X1 X2)

<input type="checkbox"/> Not used	—
<input type="checkbox"/> Crystal resonator	f = 32.768 kHz

6. Stop Mode

<input type="checkbox"/> Yes (used)
<input type="checkbox"/> No (not used)

7. Package

<input type="checkbox"/> FP-30D
<input type="checkbox"/> FP-48B*

Note: *The WS version will become available at the beginning of mass production.

EOL Product

Option List HD404382, HD404384, HD40A4382, HD40A4384, HD40C4382, HD40C4384

Please check off the appropriate applications and enter the necessary information.

Date of order	Year	Month	Day
Customer			
Department			
Name			
ROM code name			
LSI number (Renesas Technology entry)			

1. ROM Size

<input type="checkbox"/> Standard operation version: HD404382	2 kwords
<input type="checkbox"/> High-speed operation version: HD40A4382	
<input type="checkbox"/> CR oscillation version: HD40C4382	
<input type="checkbox"/> Standard operation version: HD404384	4 kwords
<input type="checkbox"/> High-speed operation version: HD40A4384	
<input type="checkbox"/> CR oscillation version: HD40C4384	

2. ROM Code Data Organization

For a microcomputer with EPROM mounted (including a ZTAT™ microcomputer), specify the combined upper/lower type.

<input type="checkbox"/> Combined lower/upper type
• Both the lower 5 data bits (L) and the upper 5 data bits (U) are written to a single EPROM in the order LULULU...
<input type="checkbox"/> Separate lower/upper type
• The lower 5 data bits (L) and upper 5 data bits (U) are written to separate EPROMs respectively.

3. System Oscillator (OSC1-OSC2) (Shading means selection is not available)

	HD404382/4, HD40A4382/4	HD40C4382/4
<input type="checkbox"/> Crystal oscillator	f = MHz	
<input type="checkbox"/> Ceramic oscillator	f = MHz	
<input type="checkbox"/> External clock	f = MHz	
<input type="checkbox"/> Resistance oscillator		f = MHz

4. Stop Mode

Yes (used)

No (not used)

5. Package

FP-30D

DP-28S

FP-48B*

Note: * The WS version will become available at the beginning of mass production.

EOL Product

Option List HD404388, HD404389, HD40A4388, HD40A4389, HD40C4388, HD40C4389

Please check off the appropriate applications and enter the necessary information.

Date of order	Year	Month	Day
Customer			
Department			
Name			
ROM code name			
LSI number (Renesas Technology entry)			

1. ROM Size

<input type="checkbox"/> Standard operation version: HD404388	8 kwords
<input type="checkbox"/> High-speed operation version: HD40A4388	
<input type="checkbox"/> CR oscillation version: HD40C4388	
<input type="checkbox"/> Standard operation version: HD404389	16 kwords
<input type="checkbox"/> High-speed operation version: HD40A4389	
<input type="checkbox"/> CR oscillation version: HD40C4389	

2. ROM Code Data Organization

For a microcomputer with EPROM mounted (including a ZTAT™ microcomputer), specify the combined upper/lower type.

<input type="checkbox"/> Combined lower/upper type
• Both the lower 5 data bits (L) and the upper 5 data bits (U) are written to a single EPROM in the order LULULU...
<input type="checkbox"/> Separate lower/upper type
• The lower 5 data bits (L) and upper 5 data bits (U) are written to separate EPROMs respectively.

3. System Oscillator (OSC1-OSC2) (Shading means selection is not available)

	HD404388/9, HD40A4388/9	HD40C4388/9
<input type="checkbox"/> Crystal oscillator	f = MHz	
<input type="checkbox"/> Ceramic oscillator	f = MHz	
<input type="checkbox"/> External clock	f = MHz	
<input type="checkbox"/> Resistance oscillator		f = MHz

4. Stop Mode

Yes (used)

No (not used)

5. Package

FP-30D

EOL Product

Option List HD404081, HD404082, HCD404082, HD40A4081, HD40A4082, HD40C4081, HD40C4082, HCD40C4082

Please check off the appropriate applications and enter the necessary information.

Date of order	Year	Month	Day
Customer			
Department			
Name			
ROM code name			
LSI number (Renesas Technology entry)			

1. ROM Size

<input type="checkbox"/> Standard operation version: HD404081	1 kwords
<input type="checkbox"/> High-speed operation version: HD40A4081	
<input type="checkbox"/> CR oscillation version: HD40C4081	
<input type="checkbox"/> Standard operation version: HD404082	2 kwords
<input type="checkbox"/> Standard operation version: HCD404082	
<input type="checkbox"/> High-speed operation version: HD40A4082	
<input type="checkbox"/> CR oscillation version: HD40C4082	
<input type="checkbox"/> CR oscillation version: HCD40C4082	

2. System Oscillator (OSC1-OSC2) (Shading means selection is not available)

	HD404081/2, HD40A4081/2, HCD404082	HD40C4081/2, HCD40C4082
<input type="checkbox"/> Crystal oscillator	f = MHz	
<input type="checkbox"/> Ceramic oscillator	f = MHz	
<input type="checkbox"/> External clock	f = MHz	
<input type="checkbox"/> Resistance oscillator		f = MHz

3. Stop Mode

<input type="checkbox"/> Yes (used)
<input type="checkbox"/> No (not used)

4. Package

<input type="checkbox"/> FP-30D
<input type="checkbox"/> DP-28S
<input type="checkbox"/> Chip

Note: The specifications of shipped chips differ from those of the package product. Please contact our sales staff for details.

Option List HD404084, HCD404084, HD40A4084, HD40C4084, HCD40C4084

Please check off the appropriate applications and enter the necessary information.

Date of order	Year	Month	Day
Customer			
Department			
Name			
ROM code name			
LSI number (Renesas Technology entry)			

1. ROM Size

<input type="checkbox"/> Standard operation version: HD404084	4 kwords
<input type="checkbox"/> Standard operation version: HCD404084	
<input type="checkbox"/> High-speed operation version: HD40A4084	
<input type="checkbox"/> CR oscillation version: HD40C4084	
<input type="checkbox"/> CR oscillation version: HCD40C4084	

2. System Oscillator (OSC1-OSC2) (Shading means selection is not available)

	HD404084, HD40A4084, HCD404084	HD40C4084, HCD40C4084
<input type="checkbox"/> Crystal oscillator	f = MHz	
<input type="checkbox"/> Ceramic oscillator	f = MHz	
<input type="checkbox"/> External clock	f = MHz	
<input type="checkbox"/> Resistance oscillator		

3. Stop Mode

<input type="checkbox"/> Yes (used)
<input type="checkbox"/> No (not used)

4. Package

<input type="checkbox"/> FP-30D
<input type="checkbox"/> DP-28S
<input type="checkbox"/> Chip

Note: The specifications of shipped chips differ from those of the package product. Please contact our sales staff for details.

Renesas Technology Corp. Sales Strategic Planning Div. Nippon Bldg., 2-6-2, Ohte-machi, Chiyoda-ku, Tokyo 100-0004, Japan

Keep safety first in your circuit designs!

1. Renesas Technology Corporation puts the maximum effort into making semiconductor products better and more reliable, but there is always the possibility that trouble may occur with them. Trouble with semiconductors may lead to personal injury, fire or property damage.
Remember to give due consideration to safety when making your circuit designs, with appropriate measures such as (i) placement of substitutive, auxiliary circuits, (ii) use of nonflammable material or (iii) prevention against any malfunction or mishap.

Notes regarding these materials

1. These materials are intended as a reference to assist our customers in the selection of the Renesas Technology Corporation product best suited to the customer's application; they do not convey any license under any intellectual property rights, or any other rights, belonging to Renesas Technology Corporation or a third party.
2. Renesas Technology Corporation assumes no responsibility for any damage, or infringement of any third-party's rights, originating in the use of any product data, diagrams, charts, programs, algorithms, or circuit application examples contained in these materials.
3. All information contained in these materials, including product data, diagrams, charts, programs and algorithms represents information on products at the time of publication of these materials, and are subject to change by Renesas Technology Corporation without notice due to product improvements or other reasons. It is therefore recommended that customers contact Renesas Technology Corporation or an authorized Renesas Technology Corporation product distributor for the latest product information before purchasing a product listed herein.

The information described here may contain technical inaccuracies or typographical errors.

Renesas Technology Corporation assumes no responsibility for any damage, liability, or other loss rising from these inaccuracies or errors.

Please also pay attention to information published by Renesas Technology Corporation by various means, including the Renesas Technology Corporation Semiconductor home page (<http://www.renesas.com>).

4. When using any or all of the information contained in these materials, including product data, diagrams, charts, programs, and algorithms, please be sure to evaluate all information as a total system before making a final decision on the applicability of the information and products. Renesas Technology Corporation assumes no responsibility for any damage, liability or other loss resulting from the information contained herein.
 5. Renesas Technology Corporation semiconductors are not designed or manufactured for use in a device or system that is used under circumstances in which human life is potentially at stake. Please contact Renesas Technology Corporation or an authorized Renesas Technology Corporation product distributor when considering the use of a product contained herein for any specific purposes, such as apparatus or systems for transportation, vehicular, medical, aerospace, nuclear, or undersea repeater use.
 6. The prior written approval of Renesas Technology Corporation is necessary to reprint or reproduce in whole or in part these materials.
 7. If these products or technologies are subject to the Japanese export control restrictions, they must be exported under a license from the Japanese government and cannot be imported into a country other than the approved destination.
Any diversion or reexport contrary to the export control laws and regulations of Japan and/or the country of destination is prohibited.
 8. Please contact Renesas Technology Corporation for further details on these materials or the products contained therein.
-

RENESAS

<http://www.renesas.com>