

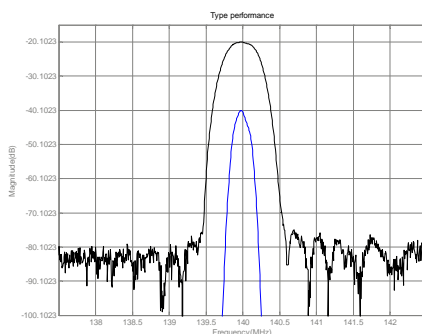


## LBS14044 SAW Filter Electrical Characteristic

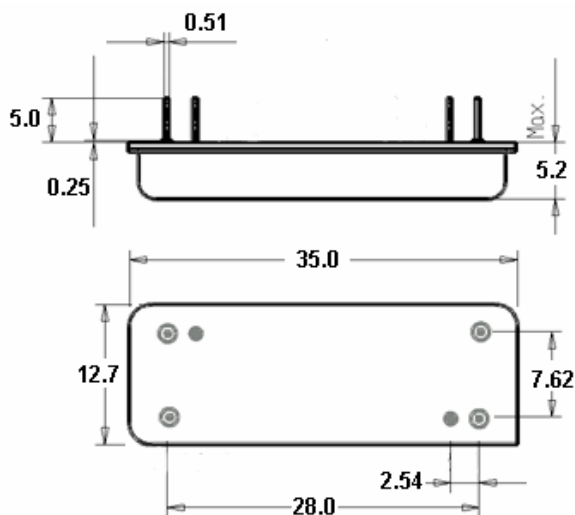
### Specifications

Parameter	Unit	Minimum	Typical	Maximum
<b>Center Frequency</b>	MHz	139.95	140	140.05
<b>Insertion Loss</b>	dB	20	20.8	23
<b>1 dB Bandwidth</b>	MHz	0.26	0.267	-
<b>3 dB Bandwidth</b>	MHz	0.4	0.404	-
<b>18 dB Bandwidth</b>	MHz	-	0.766	0.8
<b>50 dB Bandwidth</b>	MHz	-	1.07	-
<b>Ultimate Rejection</b>	dB	50	55	-
<b>Phase Linearity</b>	degrees	-	2.7	3
<b>Passband Variation</b>	dB	-	0.3	0.5
<b>Absolute Delay</b>	usec	-	3.87	4.0
<b>Substrate Material</b>		Quartz		
<b>Ambient Temperature</b>	°C	25		
<b>Operation Temperature</b>	°C	-40~85		
<b>Package Size</b>		DIP3512 (35.2x12.7x5.2mm <sup>3</sup> )		

### Typical Performance



### Package Outline



### Matching Configuration



Source/Load Impedance=50 ohm

Notes - Component values may change depending on board layout.