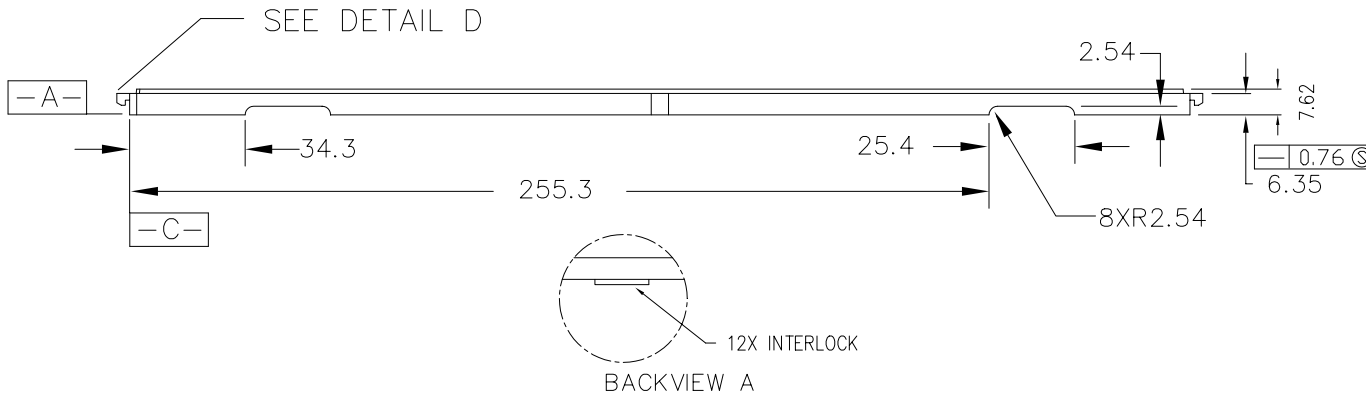
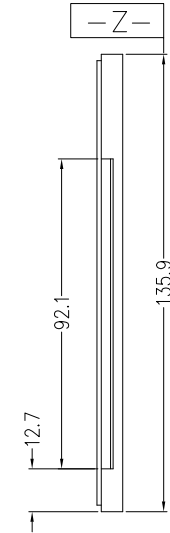
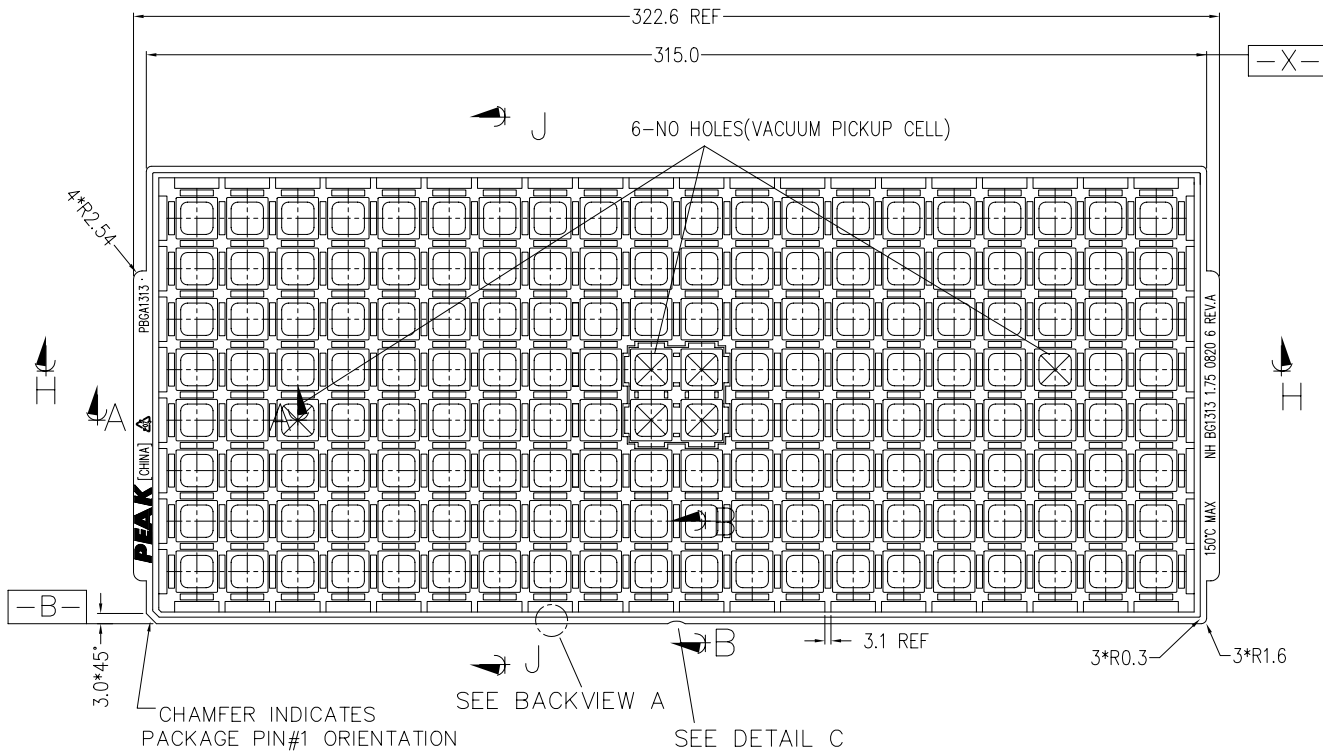


RECYCLE WITH SEMICYCLE

RECYCLE WITH SEMICYCLE



NOTES :

1. MATERIAL - PP6.
2. ALL DIMENSIONS ARE IN MILLIMETERS.
3. TOLERANCES - X.X=±0.25
- X.XX=±0.13
UNLESS OTHERWISE SPECIFIED.
4. ESD - SURFACE RESISTIVITY
- 10^5 TO 10^{11} OHMS/SQ.
5. FOR PACKAGE - PBGA
6. PART NO. : NH BG1313 1.75 0820 6 REV.A
(PLEASE INDICATE ON PURCHASE ORDER).

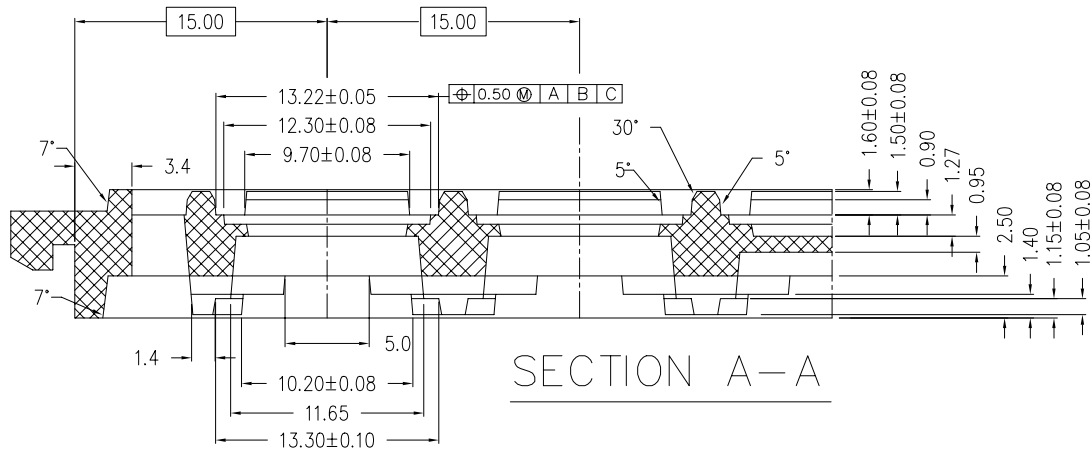


PEAK PEAK PLASTIC & METAL PRODUCTS INT'L LTD.

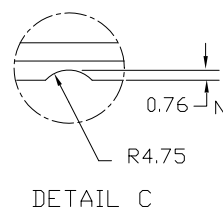
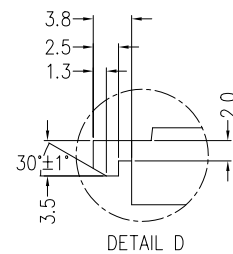
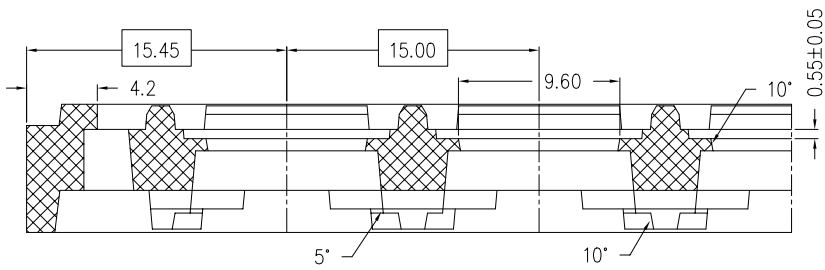
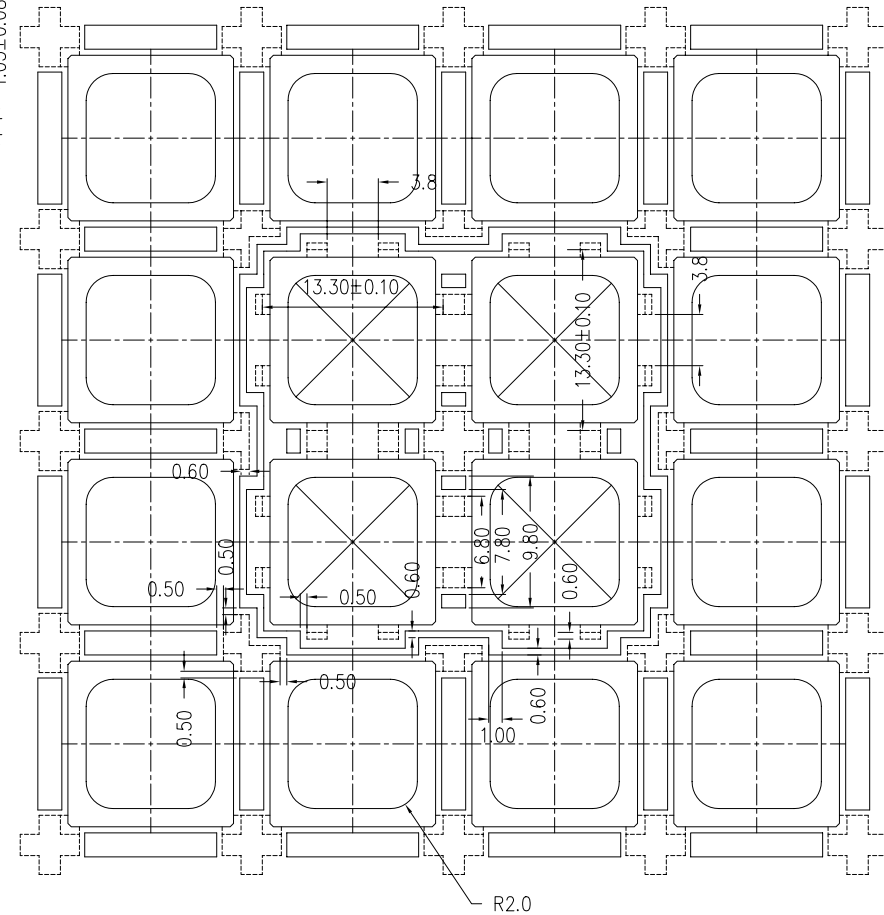
DRAWN BY : Wang		PAGE 1 OF 2	CUSTOMER : PEAK
CHECKED BY :		DATE : 1 FEB 99	
APPROVED BY :		DATE : 1 FEB 99	TITLE : NH BG1313 1.75 0820 6 REV.A
APPROVED BY :		DATE : 1 FEB 99	
DO NOT SCALE DRAWING		CODE : CSA04209	DWG NO.: NH BG1313 1.75 0820 6 REV.A
			REV. 2

THIS DOCUMENT CONTAINS INFORMATION PROPRIETARY TO PEAK PLASTIC & METAL PRODUCTS INTERNATIONAL LIMITED REPRODUCTION DISCLOSURE OR USE OF THIS DOCUMENT IS EXPRESSLY PROHIBITED EXCEPT OTHERWISE AGREED UPON IN WRITING.

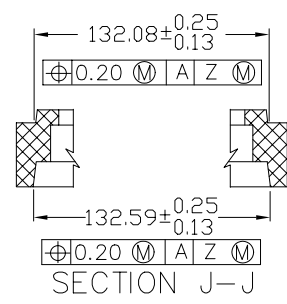
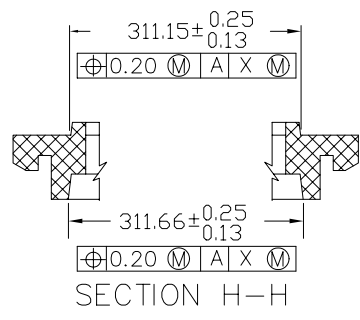
REV.NO.	ECN #	DESCRIPTION	DATE
2	P-00906	CHANGE SURFACE RESISTIVITY	1 FEB 99
1	P-00765	ADD SHELF & CHANGE PART NO.	21 SEP 98
0		RELEASED FOR PRODUCTION	14 OCT 97



DETAIL OF CENTRAL AREA (4:1)



NOTE: SCALLOP IS CENTERED ON SIDE OF TRAY



REV.NO.	ECN #	DESCRIPTION	DATE
2	P-00906	CHANGE SURFACE RESISTIVITY	1 FEB 99
1	P-00765	ADD SHELF & CHANGE PART NO.	21 SEP 98
0		RELEASED FOR PRODUCTION	14 OCT 97

THIS DOCUMENT CONTAINS INFORMATION PROPRIETARY TO PEAK PLASTIC & METAL PRODUCTS INTERNATIONAL. LIMITED REPRODUCTION DISCLOSURE OR USE OF THIS DOCUMENT IS EXPRESSLY PROHIBITED EXCEPT OTHERWISE AGREED UPON IN WRITING.

DRAWN BY : Wang	PAGE 2 OF 2
CHECKED BY :	DATE : 1 FEB 99
APPROVED BY :	DATE : 1 FEB 99
APPROVED BY :	DATE : 1 FEB 99
DO NOT SCALE DRAWING	CODE : CSA04209

PEAK PEAK PLASTIC & METAL PRODUCTS INT'L LTD.

CUSTOMER : **PEAK**

TITLE : NH BG1313 1.75 0820 6 REV.A

DWG NO.: NH BG1313 1.75 0820 6 REV.A REV. 2