



Frontier Electronics Corp.

667 E. COCHRAN STREET, SIMI VALLEY, CA 93065
 TEL: (805) 522-9998 FAX: (805) 522-9989
 E-mail: frontiersales@frontierusa.com
 Web: frontierusa.com

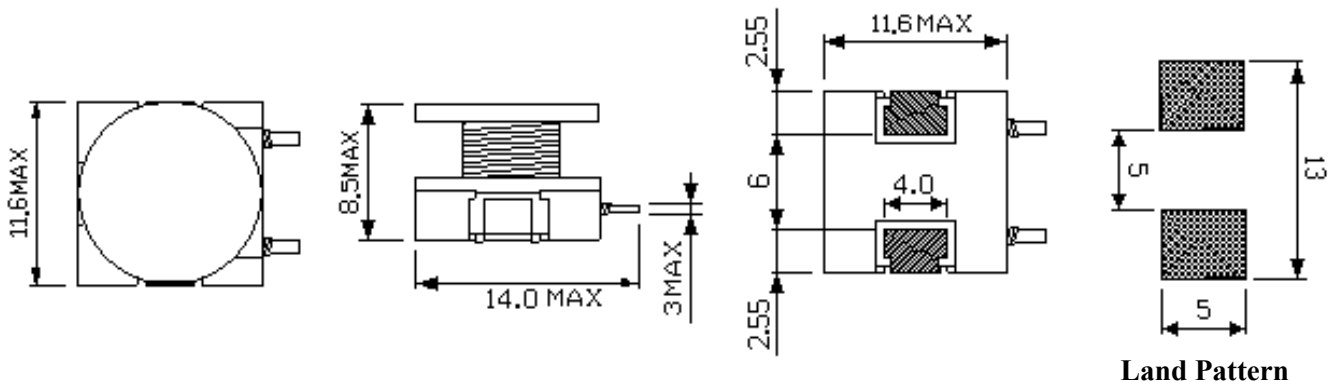
SMD Power Choke--CSN1485F series

A. Electrical specification:

Part No.	Mark	L $\pm 20\%$ (μ H)	Test Freq.	DCR Max. (Ω)	I rms (A)
CSN1485F-100M	100	10	10 KHz	0.06	3.50
CSN1485F-150M	150	15	10 KHz	0.08	3.10
CSN1485F-220M	220	22	10 KHz	0.10	2.60
CSN1485F-330M	330	33	10 KHz	0.12	2.30
CSN1485F-470M	470	47	10 KHz	0.17	1.95
CSN1485F-680M	680	68	10 KHz	0.22	1.65
CSN1485F-101M	101	100	10 KHz	0.35	1.40
CSN1485F-151M	151	150	10 KHz	0.47	1.20
CSN1485F-221M	221	220	10 KHz	0.73	0.95
CSN1485F-331M	331	330	10 KHz	1.15	0.80
CSN1485F-471M	471	470	10 KHz	1.48	0.65
CSN1485F-681M	681	680	10 KHz	2.45	0.50
CSN1485F-102M	102	1000	10 KHz	3.00	0.46

- ※ 1. Inductance drop no more than 10% at I sat applied.
- ※ 2. The temperature rise $\Delta T < 40^\circ\text{C}$ at I rms.

B. Mechanical dimensions: (Unit: mm.)



Type: Un-shielded

C. Features:

- Tolerance: M: $\pm 20\%$, L: $\pm 15\%$.
- Operating temperature: -25°C TO $+85^\circ\text{C}$.
- Inductance measured on the HP4284A LCR meter & DCR measured on the 502BC milli-ohm meter.
- Inductance and Current range:
 CSS1045F-series: From 10 μ H (3.50A) to 1000 μ H (0.460A)

Note: *RoHS compliant; for the ROHS parts, we add “-LFR” at the end of the P/N.*