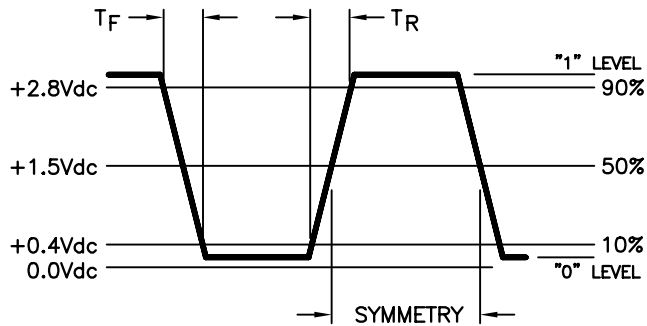
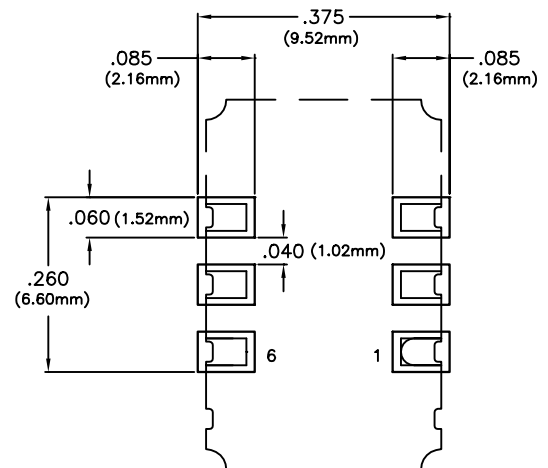


PIN	CONNECTION
1	CONTROL VOLTAGE
2	TRI-STATE
3	GROUND
4	OUTPUT
5	N/C
6	Vcc

OUTPUT WAVEFORM



SUGGESTED PAD LAYOUT



TEST CIRCUIT

