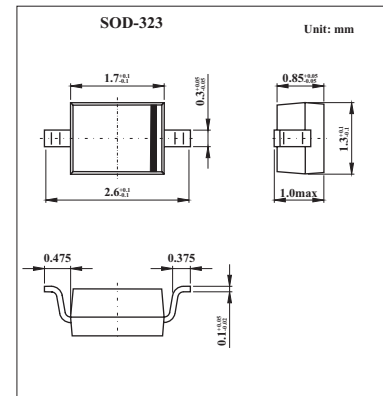


Silicon Epitaxial Planar Diode

1SV229

■ Features

- Ultra low series resistance: $r_s = 0.2 \Omega$ (typ.)
- Useful for small size set

■ Absolute Maximum Ratings $T_a = 25^\circ\text{C}$

| Parameter | Symbol | Value | Unit |
|---------------------------|-----------|-------------|------------------|
| Reverse Voltage | V_R | 15 | V |
| Junction Temperature | T_j | 125 | $^\circ\text{C}$ |
| Storage Temperature Range | T_{stg} | -55 to +125 | $^\circ\text{C}$ |

■ Electrical Characteristics $T_a = 25^\circ\text{C}$

| Parameter | Symbol | Conditions | Min | Typ | Max | Unit |
|-------------------|------------------|--|-----|-----|-----|----------|
| Reverse Voltage | V_R | $I_R = 1 \mu\text{A}$ | 15 | | | V |
| Reverse Current | I_R | $V_R = 15 \text{V}$ | | | 3 | nA |
| Capacitance | C_{2V} | $f = 1 \text{MHz}; V_R = 2 \text{V}$ | 14 | 15 | 16 | pF |
| | C_{10V} | $f = 1 \text{MHz}; V_R = 10 \text{V}$ | 5.5 | 6 | 6.5 | |
| Capacitance Ratio | C_{2V}/C_{10V} | | 2 | 2.5 | | |
| Series Resistance | r_s | $V_R = 5 \text{V}, f = 470 \text{MHz}$ | | 0.2 | 0.4 | Ω |

■ Marking

| Marking | T8 |
|---------|----|
| | |