

AOT10N60 / AOTF10N60
600V, 10A N-Channel MOSFET

formerly engineering part number AOT9608/AOTF9608

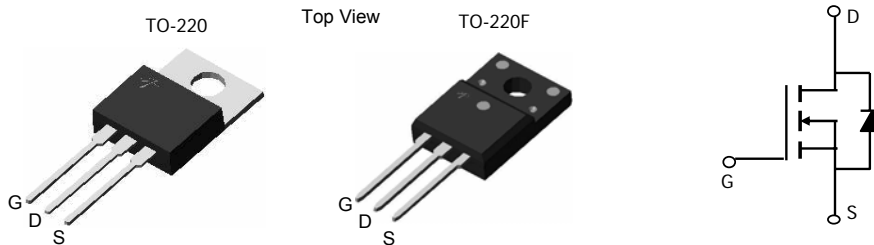

General Description

The AOT10N60 & AOTF10N60 have been fabricated using an advanced high voltage MOSFET process that is designed to deliver high levels of performance and robustness in popular AC-DC applications. By providing low $R_{DS(on)}$, C_{iss} and C_{rss} along with guaranteed avalanche capability these parts can be adopted quickly into new and existing offline power supply designs.

Features

V_{DS} (V) = 700V @ 150°C
 I_D = 10A
 $R_{DS(ON)}$ < 0.75 Ω (V_{GS} = 10V)

100% UIS Tested!
100% R_g Tested!
 C_{iss} , C_{oss} , C_{rss} Tested!


Absolute Maximum Ratings $T_A=25^\circ\text{C}$ unless otherwise noted

Parameter	Symbol	AOT10N60	AOTF10N60	Units
Drain-Source Voltage	V_{DS}	600		V
Gate-Source Voltage	V_{GS}	± 30		V
Continuous Drain Current ^B	I_D	$T_C=25^\circ\text{C}$	10	10*
		$T_C=100^\circ\text{C}$	6.4	6.4*
Pulsed Drain Current ^C	I_{DM}	36		A
Avalanche Current ^C	I_{AR}	4.4		A
Repetitive avalanche energy ^C	E_{AR}	290		mJ
Single pulsed avalanche energy ^G	E_{AS}	580		mJ
Peak diode recovery dv/dt	dv/dt	5		V/ns
Power Dissipation ^B	P_D	$T_C=25^\circ\text{C}$	208	50
		Derate above 25°C	1.7	0.4
Junction and Storage Temperature Range	T_J, T_{STG}	-50 to 150		°C
Maximum lead temperature for soldering purpose, 1/8" from case for 5 seconds	T_L	300		°C

Thermal Characteristics

Parameter	Symbol	AOT10N60	AOTF10N60	Units
Maximum Junction-to-Ambient ^A	$R_{\theta JA}$	65	65	°C/W
Maximum Case-to-Sink ^A	$R_{\theta CS}$	0.5	-	°C/W
Maximum Junction-to-Case ^{D,F}	$R_{\theta JC}$	0.6	2.5	°C/W

* Drain current limited by maximum junction temperature.

Electrical Characteristics ($T_J=25^\circ\text{C}$ unless otherwise noted)

Symbol	Parameter	Conditions	Min	Typ	Max	Units
STATIC PARAMETERS						
BV_{DSS}	Drain-Source Breakdown Voltage	$I_D=250\mu\text{A}, V_{GS}=0\text{V}, T_J=25^\circ\text{C}$	600			V
		$I_D=250\mu\text{A}, V_{GS}=0\text{V}, T_J=150^\circ\text{C}$		700		V
$BV_{DSS}/\Delta T_J$	Breakdown Voltage Temperature Coefficient	$I_D=250\mu\text{A}, V_{GS}=0\text{V}$		0.65		V/ $^\circ\text{C}$
I_{DSS}	Zero Gate Voltage Drain Current	$V_{DS}=600\text{V}, V_{GS}=0\text{V}$			1	μA
		$V_{DS}=480\text{V}, T_J=125^\circ\text{C}$			10	
I_{GSS}	Gate-Body leakage current	$V_{DS}=0\text{V}, V_{GS}=\pm 30\text{V}$			± 100	nA
$V_{GS(th)}$	Gate Threshold Voltage	$V_{DS}=V_{GS}, I_D=250\mu\text{A}$	3	4	5	V
$R_{DS(ON)}$	Static Drain-Source On-Resistance	$V_{GS}=10\text{V}, I_D=5\text{A}$		0.6	0.75	Ω
g_{FS}	Forward Transconductance	$V_{DS}=40\text{V}, I_D=5\text{A}$		15		S
V_{SD}	Diode Forward Voltage	$I_S=1\text{A}, V_{GS}=0\text{V}$		0.73	1	V
I_S	Maximum Body-Diode Continuous Current				10	A
I_{SM}	Maximum Body-Diode Pulsed Current				36	A
DYNAMIC PARAMETERS						
C_{iss}	Input Capacitance	$V_{GS}=0\text{V}, V_{DS}=25\text{V}, f=1\text{MHz}$	1100	1320	1600	pF
C_{oss}	Output Capacitance		105	130	160	pF
C_{riss}	Reverse Transfer Capacitance		7.5	9.3	11	pF
R_g	Gate resistance	$V_{GS}=0\text{V}, V_{DS}=0\text{V}, f=1\text{MHz}$	3	3.8	6	Ω
SWITCHING PARAMETERS						
Q_g	Total Gate Charge	$V_{GS}=10\text{V}, V_{DS}=480\text{V}, I_D=10\text{A}$		31.1	40	nC
Q_{gs}	Gate Source Charge		6.4	10	nC	
Q_{gd}	Gate Drain Charge		14.4	20	nC	
$t_{D(on)}$	Turn-On Delay Time	$V_{GS}=10\text{V}, V_{DS}=300\text{V}, I_D=10\text{A}, R_G=25\Omega$		28	35	ns
t_r	Turn-On Rise Time		66	80	ns	
$t_{D(off)}$	Turn-Off Delay Time		76	95	ns	
t_f	Turn-Off Fall Time		64	80	ns	
t_{rr}	Body Diode Reverse Recovery Time	$I_F=10\text{A}, di/dt=100\text{A}/\mu\text{s}, V_{DS}=100\text{V}$		290	350	ns
Q_{rr}	Body Diode Reverse Recovery Charge	$I_F=10\text{A}, di/dt=100\text{A}/\mu\text{s}, V_{DS}=100\text{V}$		3.9	4.7	μC

A: The value of $R_{\theta JA}$ is measured with the device in a still air environment with $T_A=25^\circ\text{C}$.

B: The power dissipation P_D is based on $T_{J(MAX)}=150^\circ\text{C}$, using junction-to-case thermal resistance, and is more useful in setting the upper dissipation limit for cases where additional heatsinking is used.

C: Repetitive rating, pulse width limited by junction temperature $T_{J(MAX)}=150^\circ\text{C}$.

D: The $R_{\theta JA}$ is the sum of the thermal impedance from junction to case $R_{\theta JC}$ and case to ambient.

E: The static characteristics in Figures 1 to 6 are obtained using $<300\mu\text{s}$ pulses, duty cycle 0.5% max.

F: These curves are based on the junction-to-case thermal impedance which is measured with the device mounted to a large heatsink, assuming a maximum junction temperature of $T_{J(MAX)}=150^\circ\text{C}$.

G: $L=60\text{mH}, I_{AS}=4.4\text{A}, V_{DD}=50\text{V}, R_G=25\Omega$, Starting $T_J=25^\circ\text{C}$

Rev 0. July 2008

THIS PRODUCT HAS BEEN DESIGNED AND QUALIFIED FOR THE CONSUMER MARKET. APPLICATIONS OR USES AS CRITICAL COMPONENTS IN LIFE SUPPORT DEVICES OR SYSTEMS ARE NOT AUTHORIZED. AOS DOES NOT ASSUME ANY LIABILITY ARISING OUT OF SUCH APPLICATIONS OR USES OF ITS PRODUCTS. AOS RESERVES THE RIGHT TO IMPROVE PRODUCT DESIGN, FUNCTIONS AND RELIABILITY WITHOUT NOTICE.

TYPICAL ELECTRICAL AND THERMAL CHARACTERISTICS

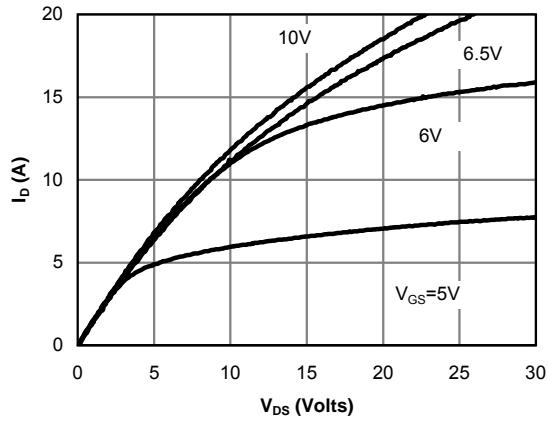


Fig 1: On-Region Characteristics

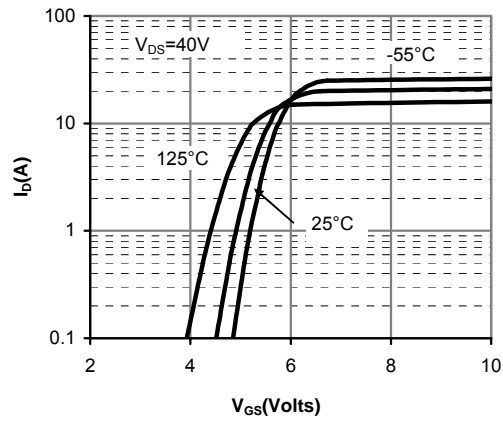


Figure 2: Transfer Characteristics

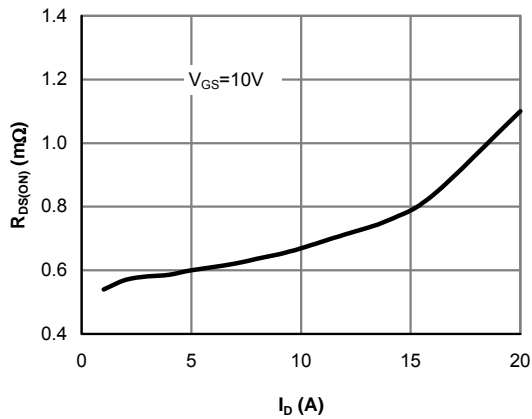


Figure 3: On-Resistance vs. Drain Current and Gate Voltage

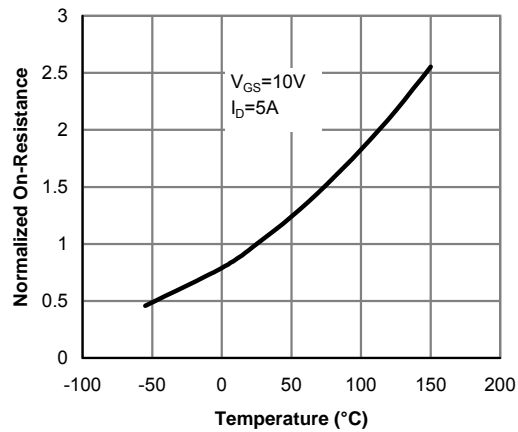


Figure 4: On-Resistance vs. Junction Temperature

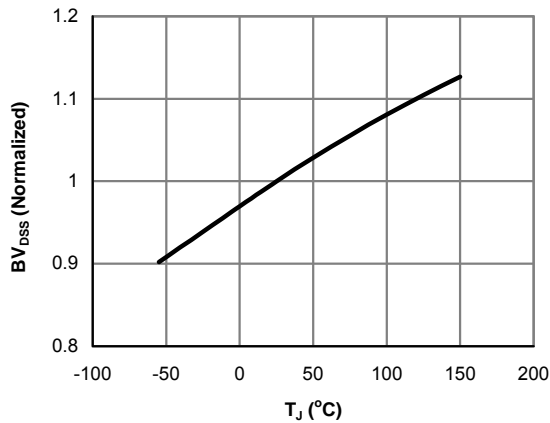


Figure 5: Break Down vs. Junction Temperature

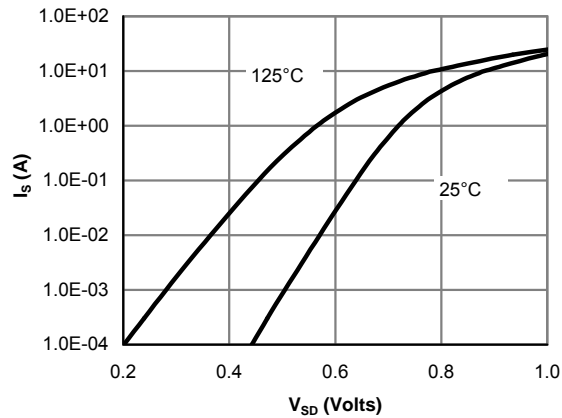


Figure 6: Body-Diode Characteristics

TYPICAL ELECTRICAL AND THERMAL CHARACTERISTICS

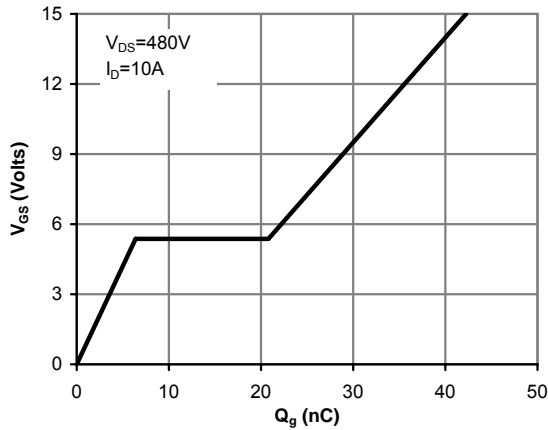


Figure 7: Gate-Charge Characteristics

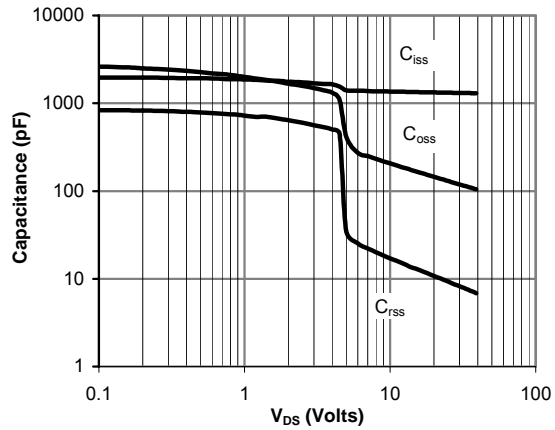


Figure 8: Capacitance Characteristics

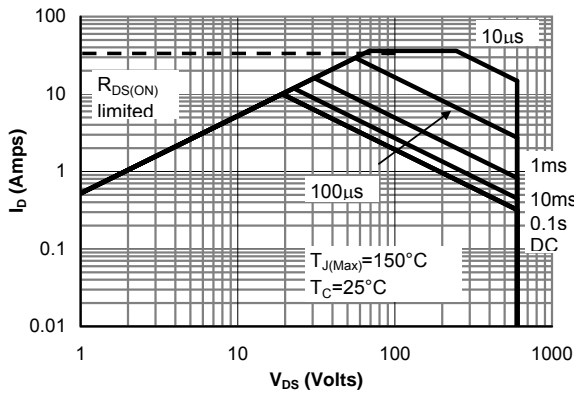


Figure 9: Maximum Forward Biased Safe Operating Area for AOT10N60 (Note F)

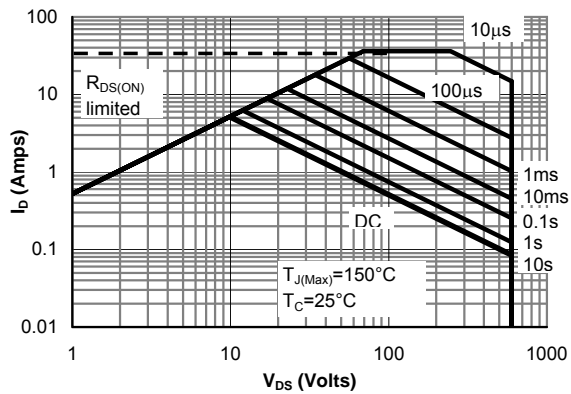


Figure 10: Maximum Forward Biased Safe Operating Area for AOTF10N60 (Note F)

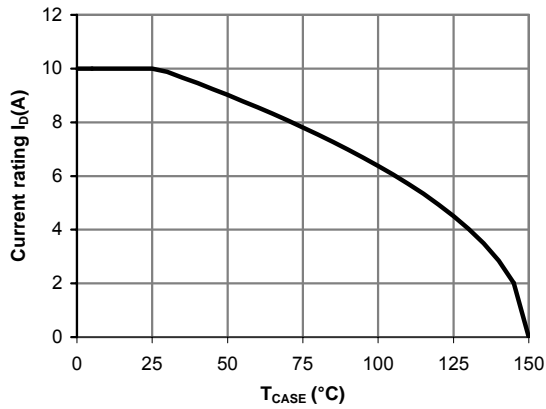


Figure 11: Current De-rating (Note B)

TYPICAL ELECTRICAL AND THERMAL CHARACTERISTICS

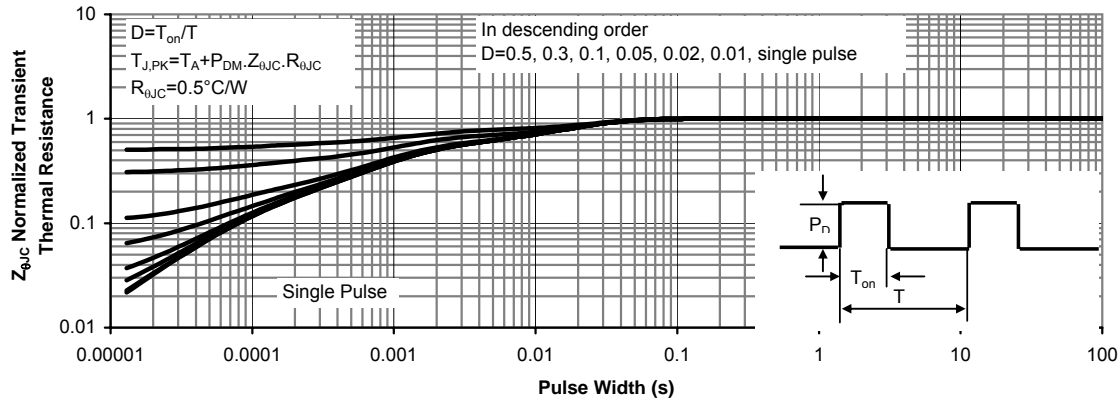


Figure 12: Normalized Maximum Transient Thermal Impedance for AOT10N60 (Note F)

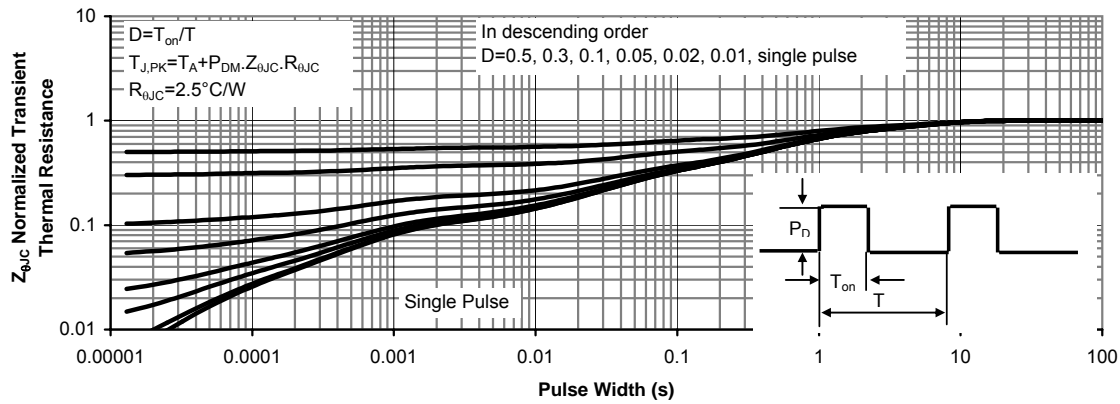
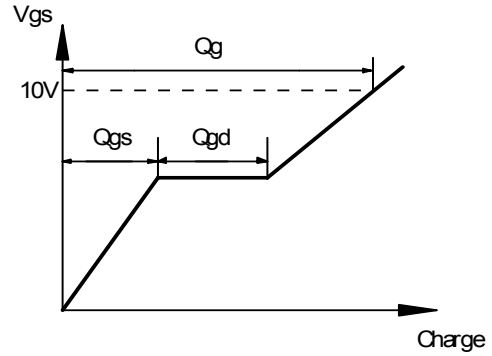
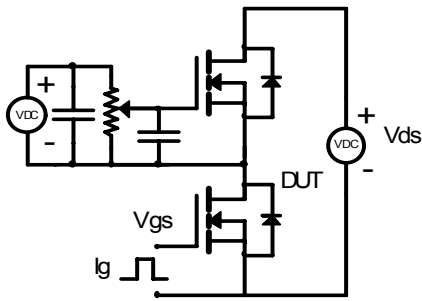
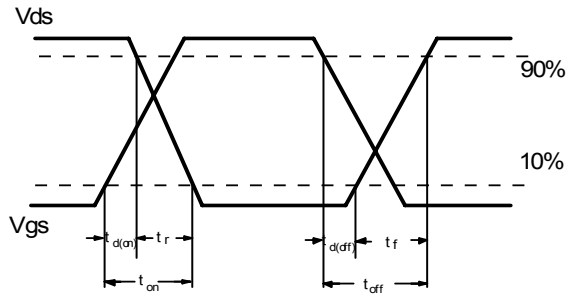
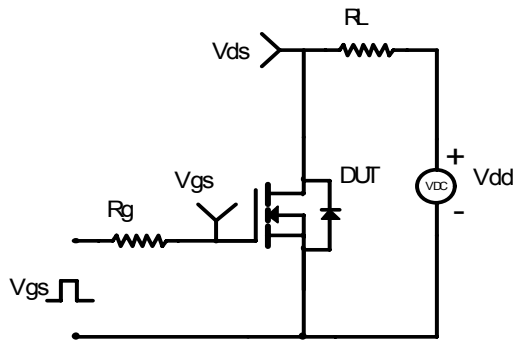


Figure 13: Normalized Maximum Transient Thermal Impedance for AOTF10N60 (Note F)

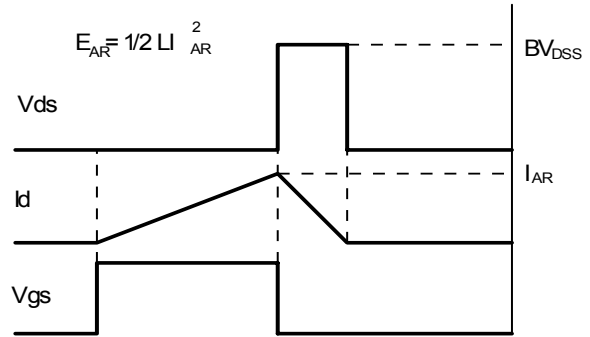
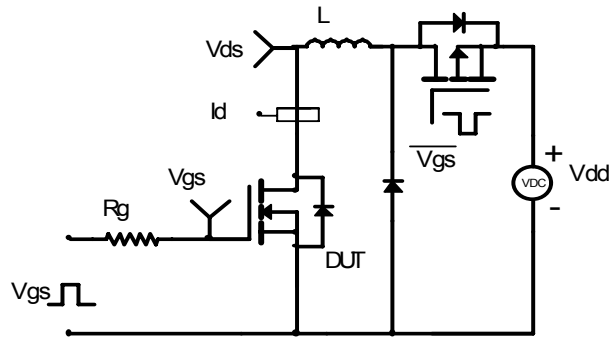
Gate Charge Test Circuit & Waveform



Resistive Switching Test Circuit & Waveforms



Unclamped Inductive Switching (UIS) Test Circuit & Waveforms



Diode Recovery Test Circuit & Waveforms

