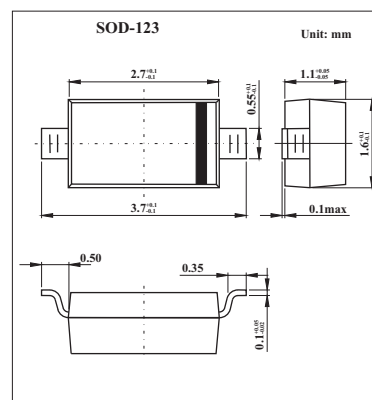


Surface Mount Switching Diode

BAV70B

■ Features

- Fast Switching Speed
- Surface Mount Package Ideally Suited for Automatic Insertion
- For General Purpose Switching Applications
- High Conductance

Absolute Maximum Ratings $T_a = 25$

Parameter	Symbol	Ratings	Unit
Non-Repetitive Peak Reverse Voltage	V_{RM}	100	V
Peak Repetitive Peak reverse voltage	V_{RRM}	75	V
Working Peak Reverse Voltage	V_{RWM}		
DC Blocking Voltage	V_R		
Average Rectified Output Current	I_o	150	mA
Forward Continuous Current	I_{FM}	300	mA
Peak forward surge current	I_{FSM}	2.0	A
		1.0	
Power Dissipation	P_D	350	mW
Thermal Resistance Junction to Ambient	R_{JA}	357	/W
Storage temperature	$T_j T_{STG}$	-65 to 150	

Electrical Characteristics $T_a = 25$

Parameter	Symbol	Conditions	Min	Max	Unit
Forward voltage	V_F	$I_F=1mA$		0.715	V
		$I_F=10mA$		0.855	
		$I_F=50mA$		1.0	V
		$I_F=150mA$		1.25	
Continuous reverse current	I_R	$V_R=75V$		2.5	μA
		$V_R = 75V, T_j = 150$		50	μA
Total Capacitance	C_T	$V_R=0V, f=1MHz$		2	pF
Reverse recovery time	t_{rr}	$I_F=I_R=10mA$ $I_{rr}=0.1X I_R, R_L=100$		6	ns