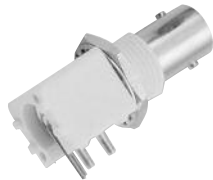
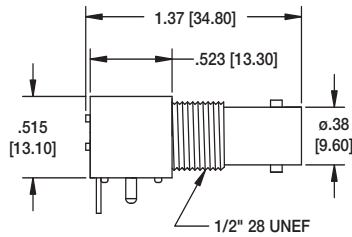


RF1 TYPE 01
BNC RIGHT ANGLE FEMALE PCB MOUNT



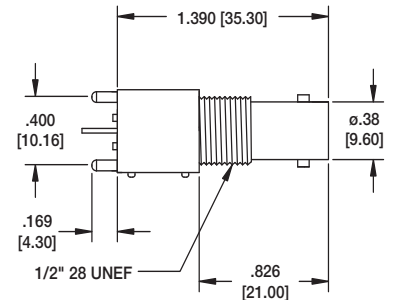
RF1-01-P-00-50



RF1 TYPE 01V
BNC STRAIGHT FEMALE PCB MOUNT



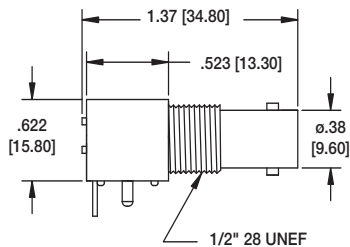
RF1-01V-P-00-75



RF1 TYPE 01A
BNC HIGH PROFILE RIGHT ANGLE FEMALE PCB MOUNT



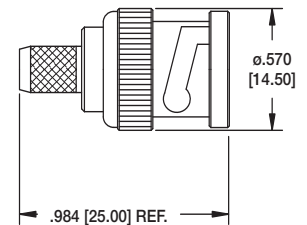
RF1-01A-P-00-50



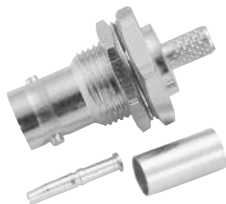
RF1 TYPE 03
BNC MALE CRIMP



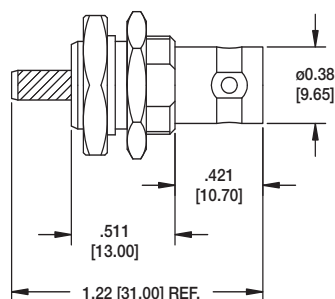
RF1-03-D-05-75



RF1 TYPE 04
BNC FEMALE BULKHEAD CRIMP



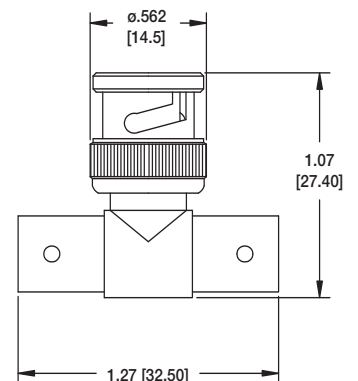
RF1-04-T-01-75



RF1 TYPE 05
BNC MALE TO BNC DOUBLE FEMALE



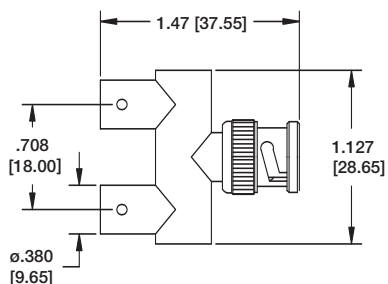
RF1-05-D-AS-75



RF1 TYPE 06
BNC MALE "Y" ADAPTER



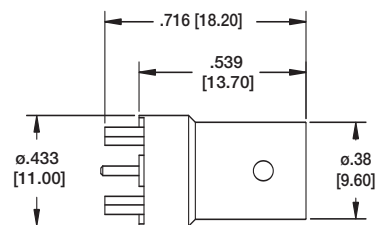
RF1-06-D-AS-50



RF1 TYPE 07
BNC FEMALE PC BOARD MOUNT



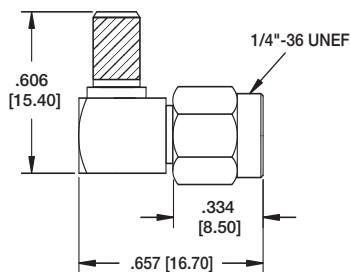
RF1-07-T-00-75



RF2 TYPE 01
SMA RIGHT ANGLE MALE CRIMP TYPE



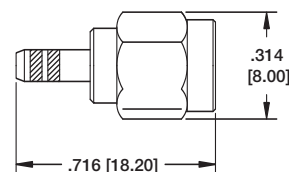
RF2-01-T-02-50



RF2 TYPE 02
SMA MALE CRIMP TYPE



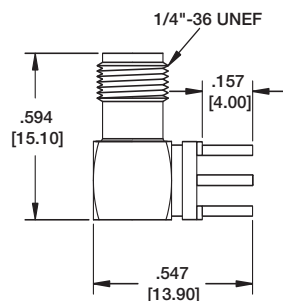
RF2-02-T-02-50-G



RF2 TYPE 03
SMA RIGHT ANGLE FEMALE PC BOARD MOUNT



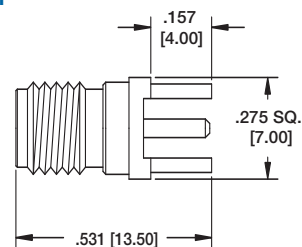
RF2-03-T-00-50-G



RF2 TYPE 04
SMA FEMALE PC BOARD MOUNT



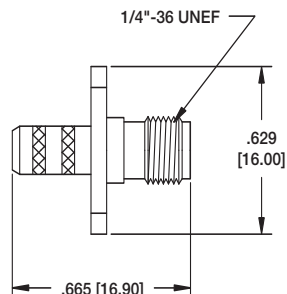
RF2-04-T-00-50-G



RF2 TYPE 05
SMA FEMALE CHASSIS CRIMP



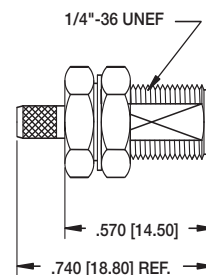
RF2-05-T-00-50-G



RF2 TYPE 06
SMA FEMALE BULKHEAD CRIMP



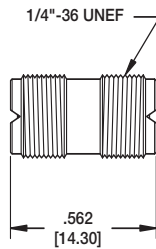
RF2-06-T-02-50



RF2 TYPE 07
SMA DOUBLE FEMALE ADAPTOR



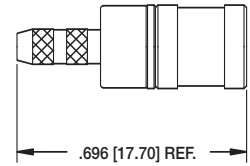
RF2-07-T-AS-50



RF3 TYPE 01
SMB MALE CRIMP



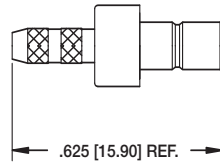
RF3-01-T-01-50-G



RF3 TYPE 02
SMB FEMALE CRIMP



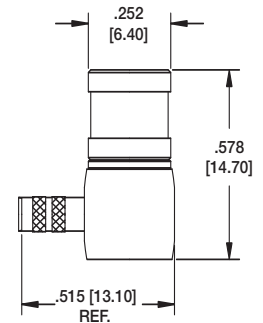
RF3-02-T-01-50-G



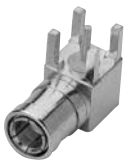
RF3 TYPE 03
SMB MALE RIGHT ANGLE CRIMP



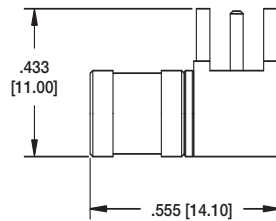
RF3-03-T-03-75-G



RF3 TYPE 04
SMB RIGHT ANGLE MALE PCB MOUNT



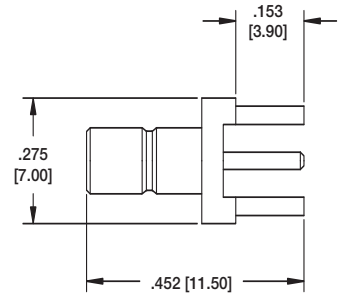
RF3-04-T-00-50-G



RF3 TYPE 05
SMB FEMALE PCB MOUNT



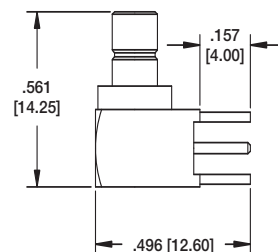
RF3-05-T-00-50-G



RF3 TYPE 06
SMB RIGHT ANGLE FEMALE PCB MOUNT



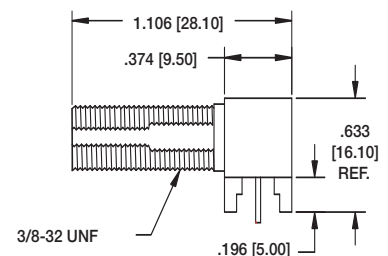
RF3-06-T-00-50-G



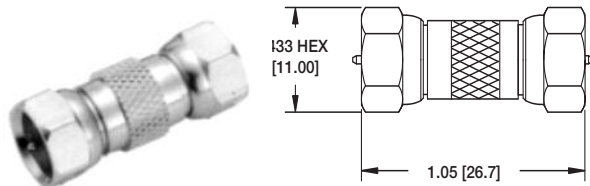
RF4 TYPE 01
F FEMALE RIGHT ANGLE PCB MOUNT



RF4-01-T-00-75

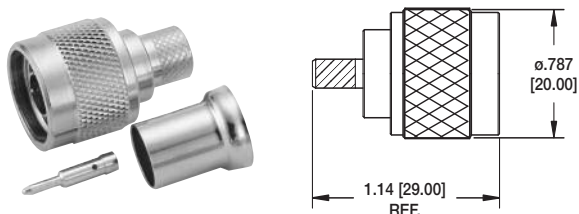


RF4 TYPE 02
F MALE TO MALE



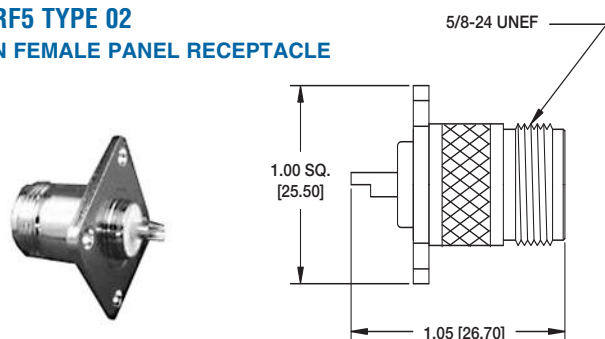
RF4-02-T-AS-75

RF5 TYPE 01
N MALE CRIMP TYPE



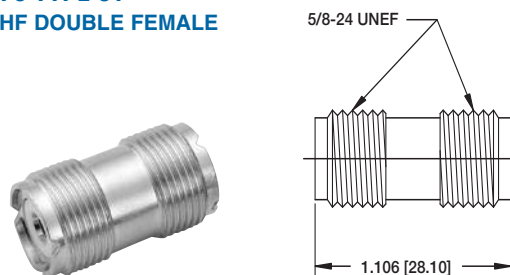
RF5-01-D-01-50

RF5 TYPE 02
N FEMALE PANEL RECEPTACLE



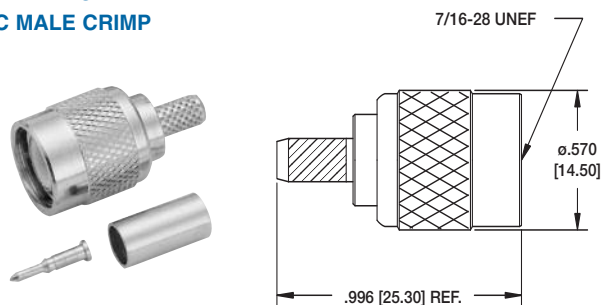
RF5-02-D-01-50

RF6 TYPE 01
UHF DOUBLE FEMALE



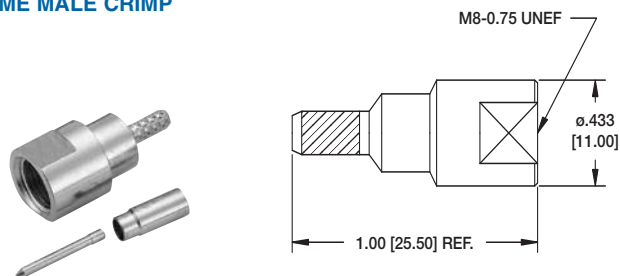
RF6-01-D-AS-50

RF7 TYPE 01
TNC MALE CRIMP



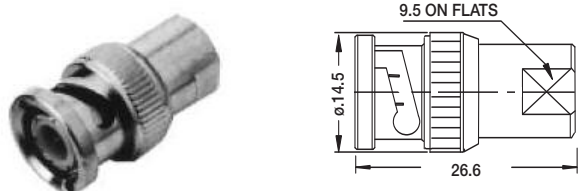
RF7-01-D-02-50

RF8 TYPE 01
FME MALE CRIMP



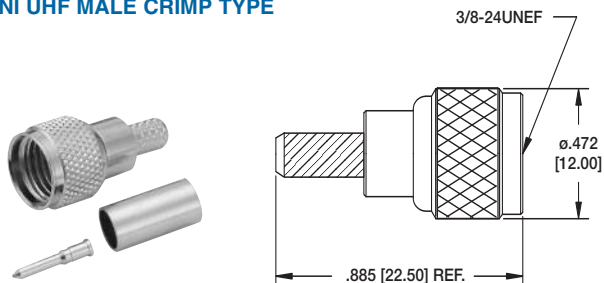
RF8-01-T-01-50-G

RF8 TYPE 02
FME MALE TO BNC MALE


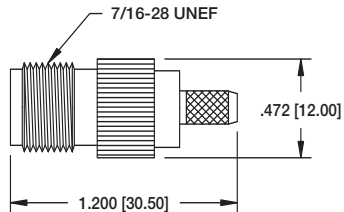

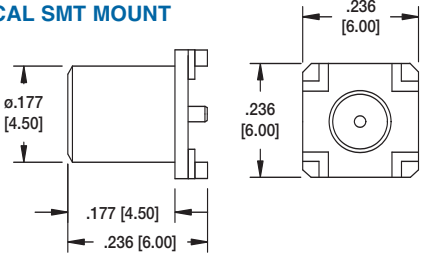
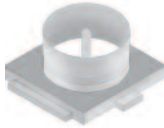
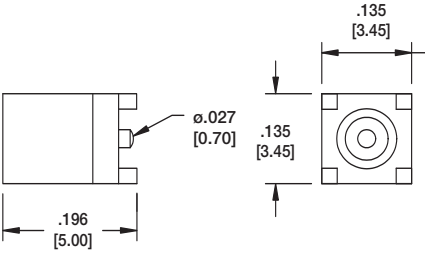

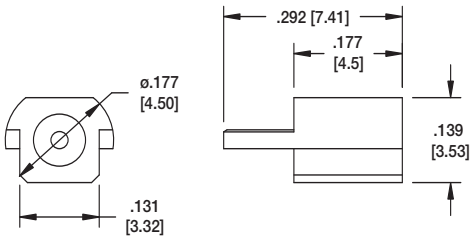
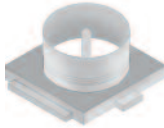
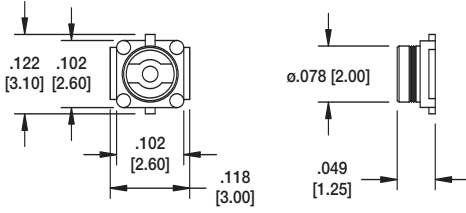

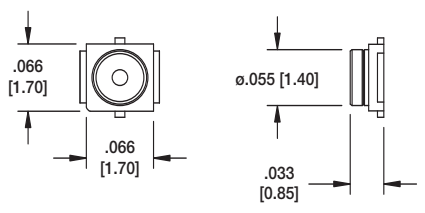

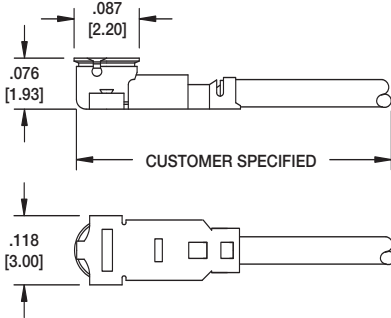

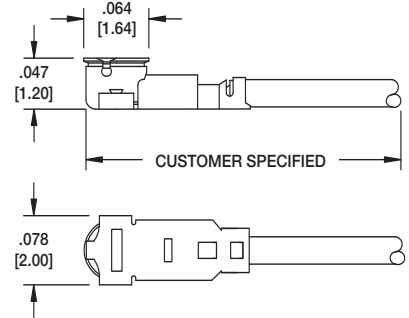


RF8-02-T-AS-50

RF9 TYPE 01
MINI UHF MALE CRIMP TYPE



RF9-01-D-02-50

<p>RF7 TYPE 08 TNC FEMALE CRIMP</p>  <p>RF7-08-T-02-50-G</p>  <p>7/16-28 UNEF 1.200 [30.50] .472 [12.00]</p>	<p>RF11 TYPE 01 MCX FEMALE VERTICAL SMT MOUNT</p>  <p>RF11-01-T-00-50-G Enlarged to show detail</p>  <p>ø.177 [4.50] .177 [4.50] .236 [6.00] .236 [6.00]</p>
<p>RF12 TYPE 04 MMCX MALE VERTICAL PCB MOUNT</p>  <p>RF12-04-T-00-50-G Enlarged to show detail</p>  <p>ø.027 [0.70] .135 [3.45] .135 [3.45] .196 [5.00]</p>	<p>RF12 TYPE 05 MMCX PCB MOUNT</p>  <p>RF12-05-T-00-50-G</p>  <p>ø.177 [4.50] .177 [4.5] .292 [7.41] .139 [3.53] .131 [3.32]</p>
<p>RF20 TYPE 01 MHF SURFACE MOUNT</p>  <p>RF20-01-P-00-50-G Enlarged to show detail</p>  <p>.122 [3.10] .102 [2.60] .102 [2.60] .118 [3.00] ø.078 [2.00] .049 [1.25]</p>	<p>RF28 TYPE 01 W.FL SURFACE MOUNT</p>  <p>RF28-01-T-00-50-G Enlarged to show detail</p>  <p>.066 [1.70] .066 [1.70] ø.055 [1.40] .033 [0.85]</p>
<p>RF20 TYPE 01 CABLE ASSEMBLY MATES WITH MHF SMT CONNECTOR</p>  <p>CA# 6994-XX</p>  <p>.087 [2.20] .076 [1.93] CUSTOMER SPECIFIED .118 [3.00]</p>	<p>RF28 TYPE 01 CABLE ASSEMBLY MATES W.FL SMT CONNECTOR</p>  <p>CA# 6993-XX</p>  <p>.064 [1.64] .047 [1.20] CUSTOMER SPECIFIED .078 [2.00]</p>