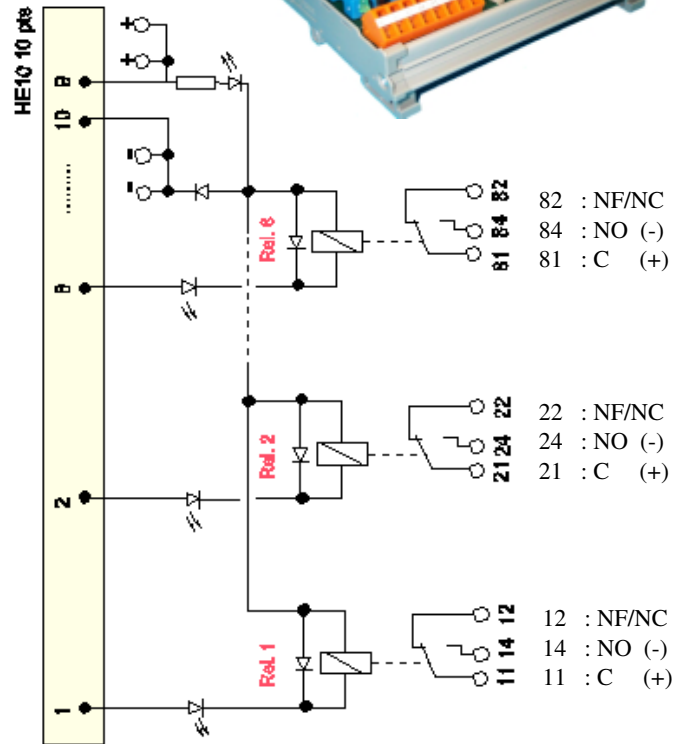
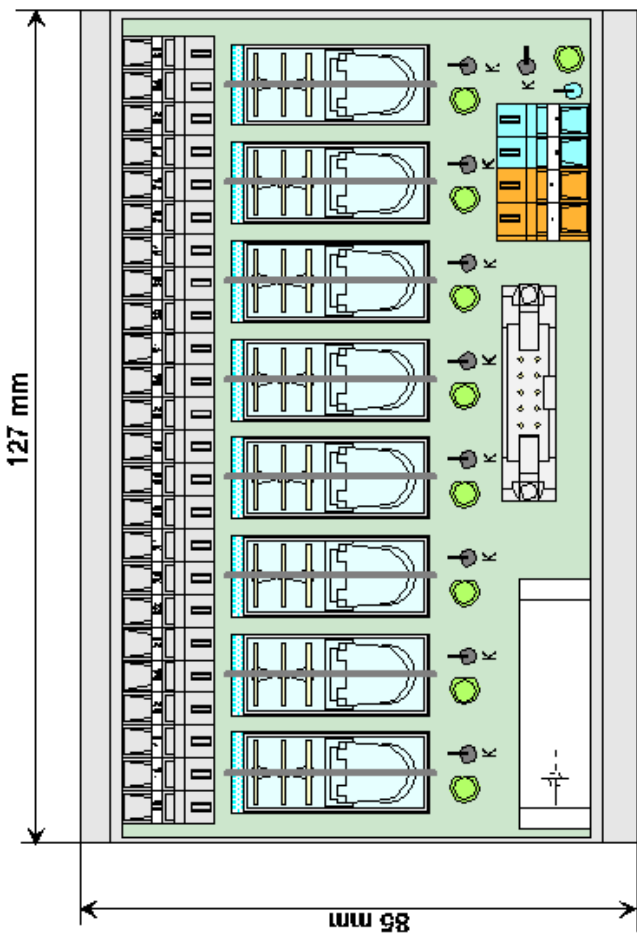
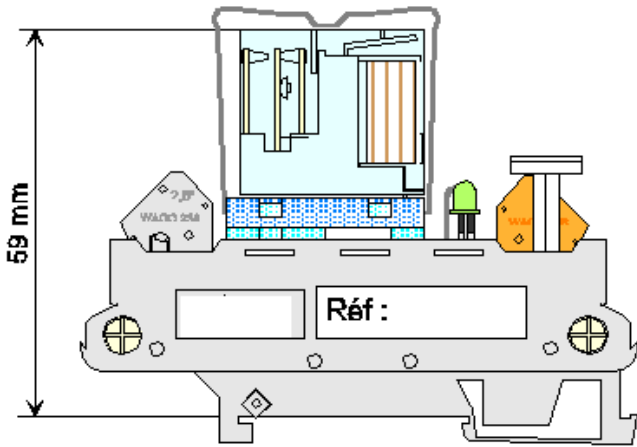
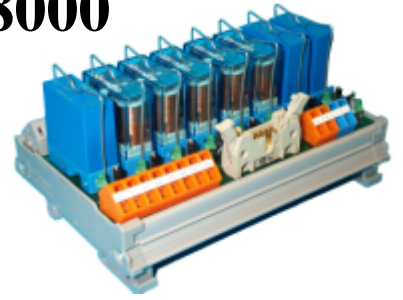


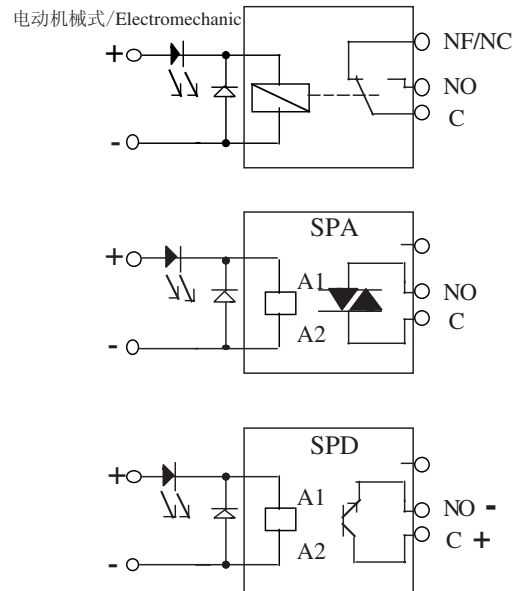
适合8个SP/ST系列固态继电器的插座/

ESD08000

Socket for 8 SP/ST relay



继电器/ Relays



ISO 9001
N° 1993/1106a

Proud to serve you

All technical characteristics are subject to change without previous notice.
Caractéristiques sujettes à modifications sans préavis.

celduc[®]
r e l a i s

— www.celduc.com —