

GOX205180

DOUBLE STAR AC-DC CONVERTER

Over temperature switches
Fan loss detection circuit
Extractible devices for easy field service

LINE VOLTAGE UP TO 50V
DC OUTPUT CURRENT 18000 A

GOX205180

Line to line voltage		50 V
----------------------	--	-------------

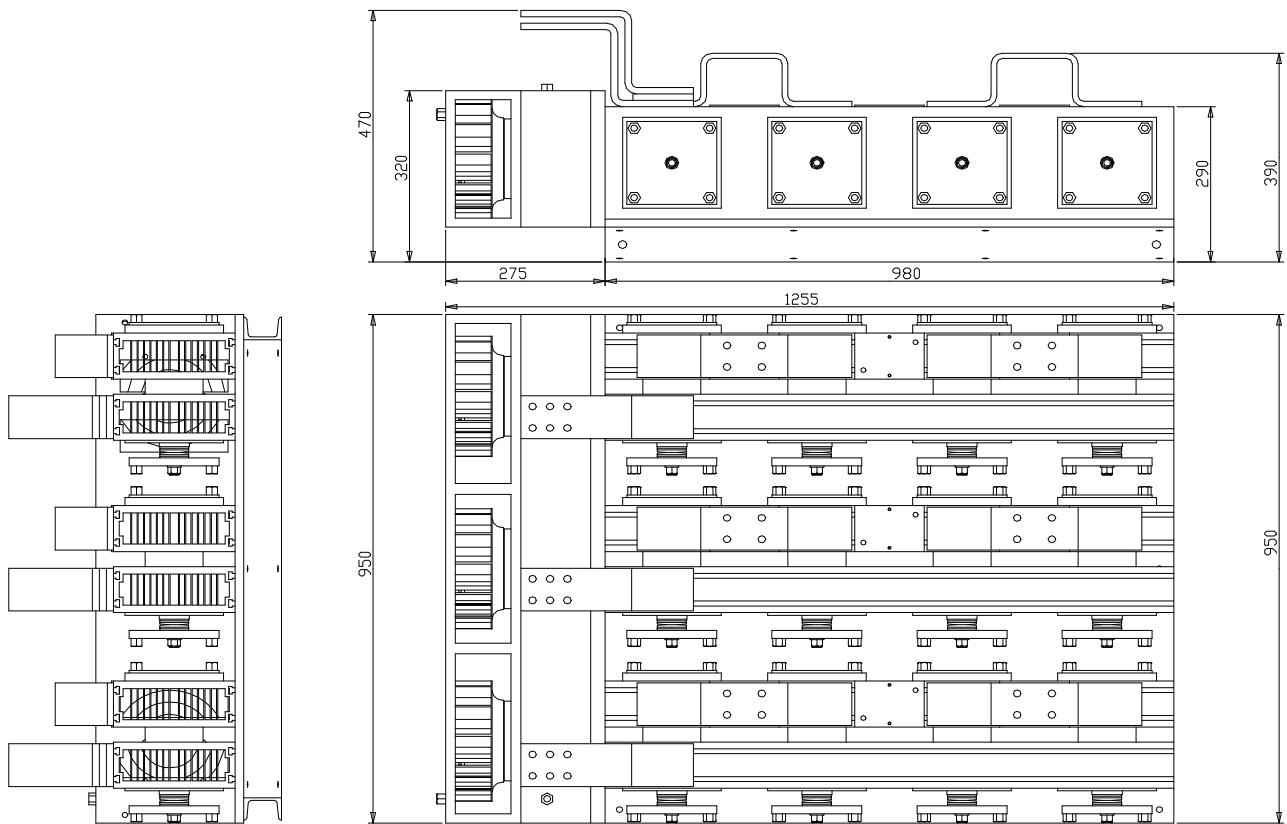
Characteristic		Conditions			Value
I _{dc}	DC output current				18000 A
V _{INS (rms)}	Insulation voltage				1000 V

DIODE CHARACTERISTICS

VRRM	Blocking Voltage	T _j = 125 °C			200 V
------	------------------	-------------------------	--	--	-------

MECHANICAL AND THERMAL CHARACTERISTICS

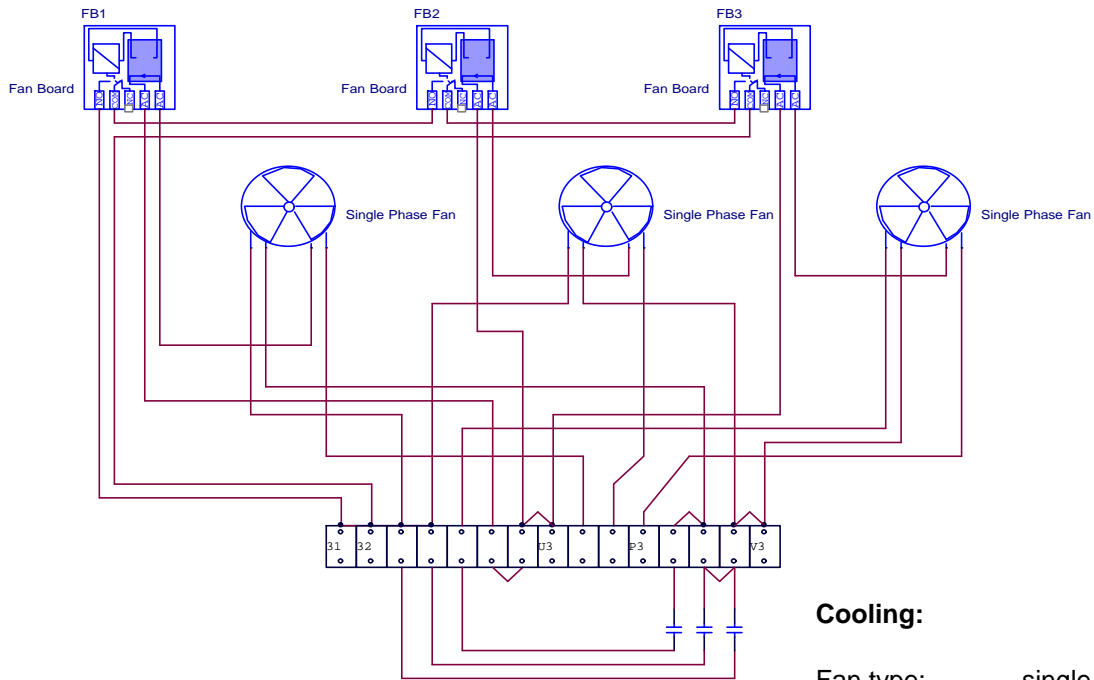
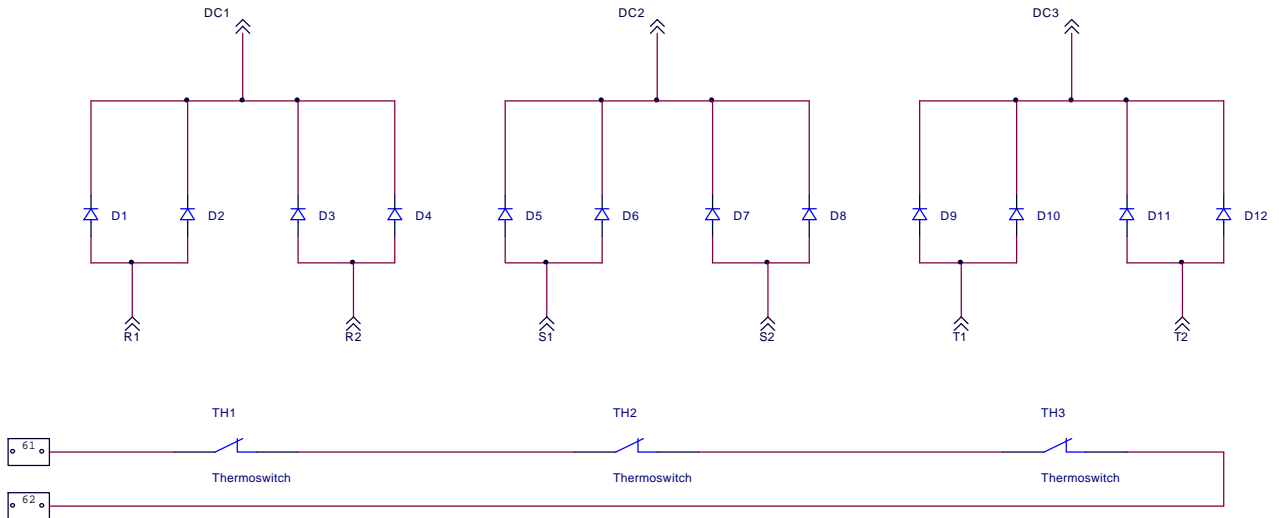
	Width				950 mm
	Depth				470 mm
	Height				1265 mm
	Mass				320 kg
T _{a max}	Max amb. op. Temp.				40 °C
T _{stg}	Storage temperature				-40/60 °C



The part numbering system is reported at the beginning of the Open Assembly section.

Customisations are available on request. Please contact factory.

In the interest of product improvement Green Power Solutions reserves the right to change any specification given in this data sheet without notice.



Cooling:

Fan type: single phase radial
 Number of fans: 3
 Voltage: 230 V
 Current: 1 A (each)
 Frequency: 50/60 Hz
 Noise: 77 dBA

In the interest of product improvement Green Power Solutions reserves the right to change any specification given in this data sheet without notice.