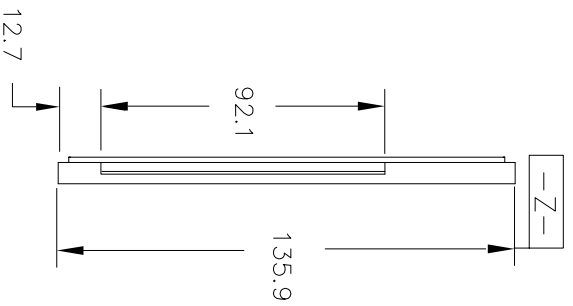
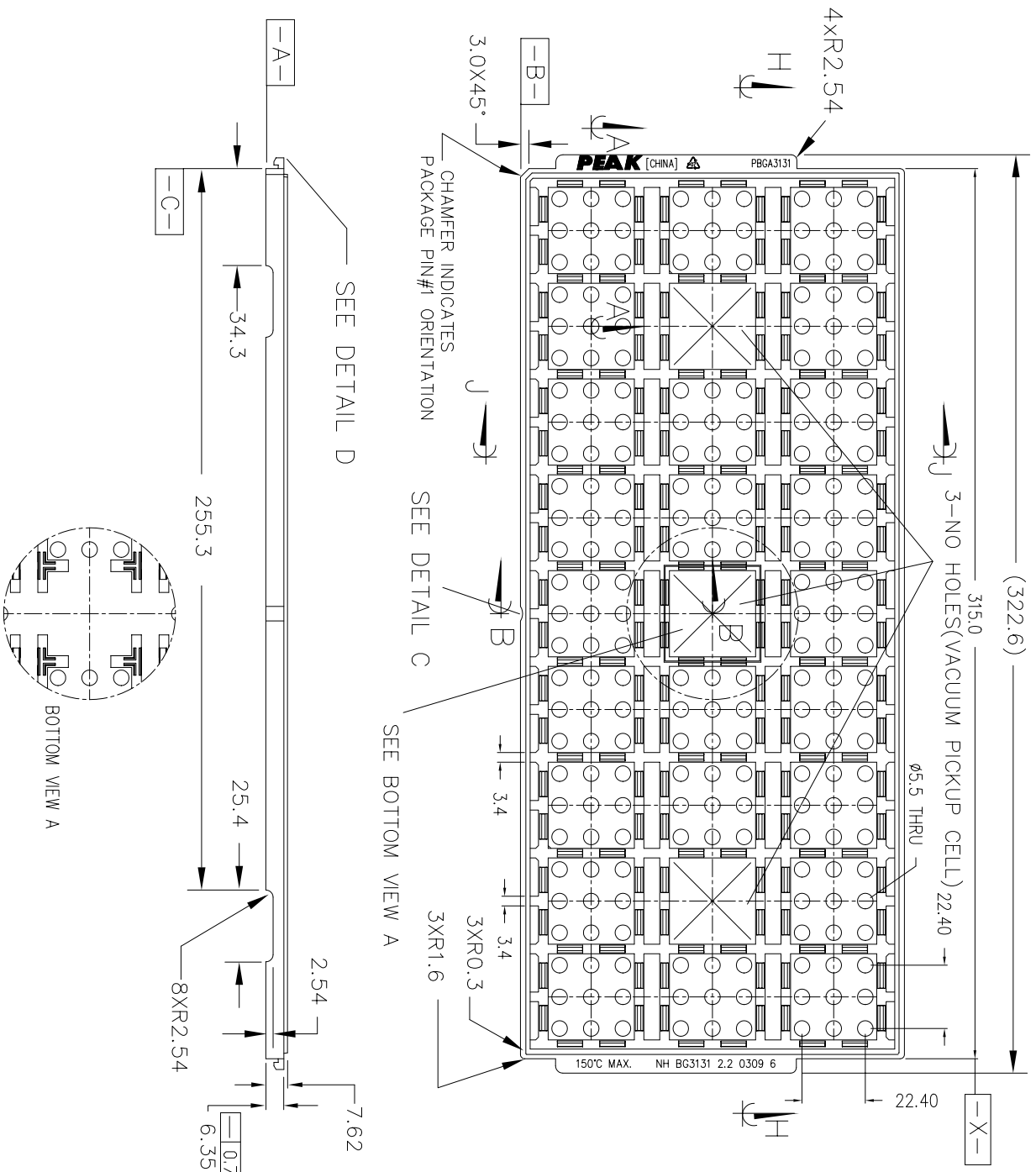


RECYCLE WITH SEMICYCLE



- NOTES :
1. MATERIAL - PP6.
 2. ALL DIMENSIONS ARE IN MILLIMETERS.
 3. TOLERANCES - X:X=±0.25
- X:XX=±0.13

- UNLESS OTHERWISE SPECIFIED.
4. ESD - SURFACE RESISTIVITY
- 10⁵ TO 10¹¹ OHMS/SQ.
 5. FOR PACKAGE - PBGA
 6. PART NO. : NH BG3131 2.2 0309 6
- (PLEASE INDICATE ON PURCHASE ORDER).

5	P-00952	CHANGE TEMP. FOR PP13	18 JUN 99
4	P-00798	CHANGE SURFACE RESISTIVITY	1 FEB 99
3	P-00769	ADD RUNNER GATE	29 SEP 98
2	P-00736	REMOVE CHAMFERS	26 NOV 97
1	P-00665	CHANGE POSITION TOL	16 OCT 97
0		RELEASED FOR PRODUCTION	21 OCT 96
REVNO.	ECN #	DESCRIPTION	DATE

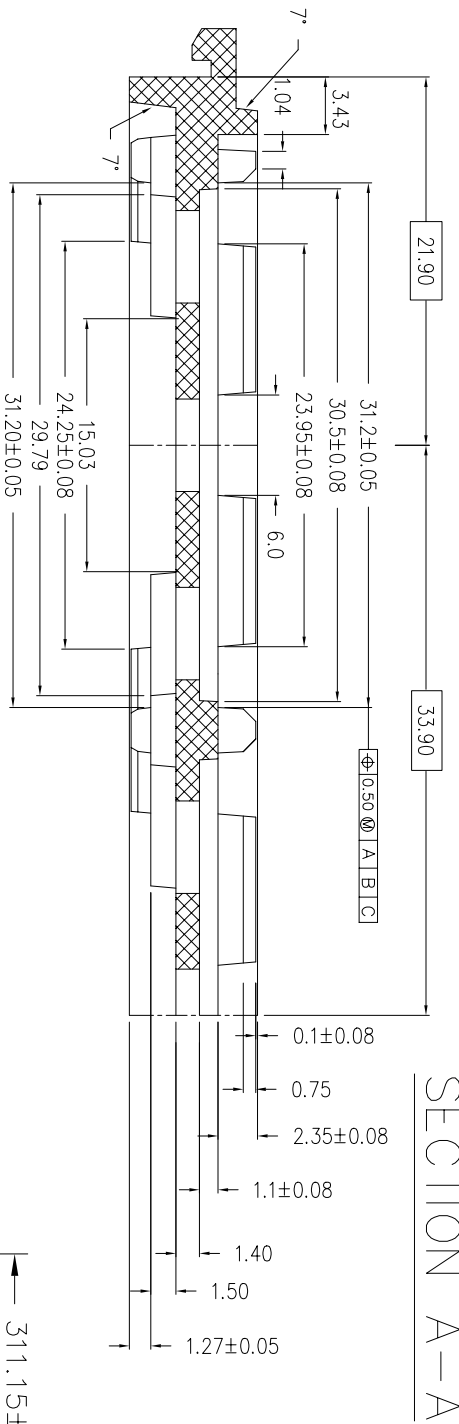
THIS DOCUMENT CONTAINS INFORMATION PROPRIETARY TO PEAK PLASTIC & METAL PRODUCTS INTERNATIONAL LIMITED. REPRODUCTION, DISCLOSURE OR USE OF THIS DOCUMENT IS EXPRESSLY PROHIBITED EXCEPT IF OTHERWISE AGREED UPON IN WRITING.

DRAWN BY : Wang
 CHECKED BY :
 APPROVED BY :
 DO NOT SCALE DRAWING

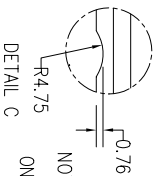
PAGE 1 OF 2
 DATE : 18 JUN 99
 DATE : 18 JUN 99
 CODE : CSA03012

PEAK PEAK PLASTIC & METAL PRODUCTS INT'L LTD.

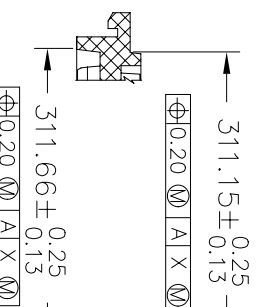
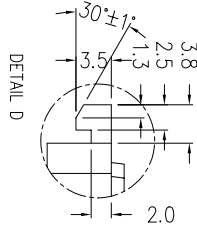
CUSTOMER : PEAK
 TITLE : NH BG3131 2.2 0309 6
 DWG NO.: NH BG3131 2.2 0309 6
 REV. 5



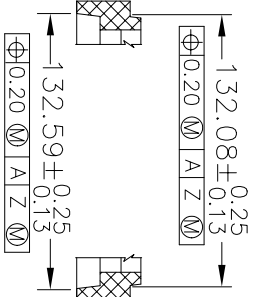
SECTION A-A



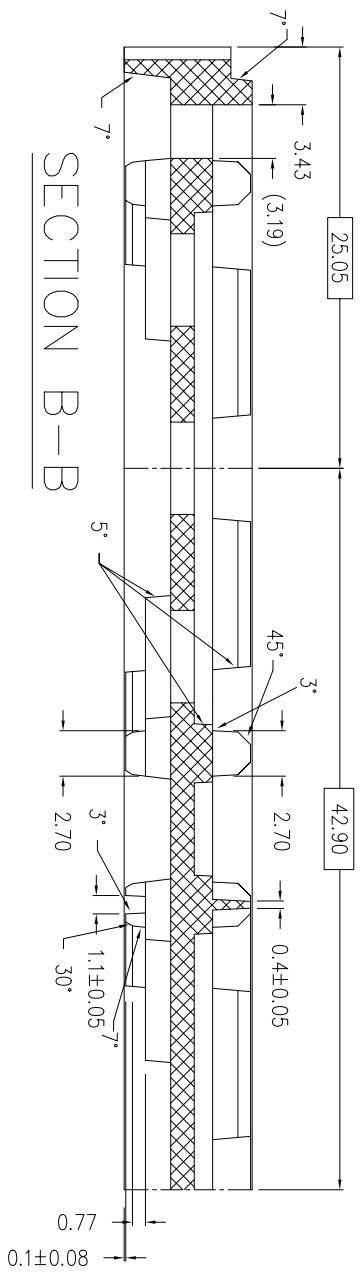
NOTE: SCALLOP IS CENTERED ON SIDE OF TRAY



SECTION H-H



SECTION J-J



SECTION B-B

5	P-00952	CHANGE TEMP. FOR PP13	18 JUN 99	THIS DOCUMENT CONTAINS INFORMATION PROPRIETARY TO PEAK PLASTIC & METAL PRODUCTS INTERNATIONAL LIMITED. REPRODUCTION, DISCLOSURE OR USE OF THIS DOCUMENT IS EXPRESSLY PROHIBITED EXCEPT IF OTHERWISE AGREED UPON IN WRITING.	DRAWN BY : WANG	PAGE 2 OF 2	CUSTOMER : PEAK
4	P-00798	CHANGE SURFACE RESISTIVITY	1 FEB 99		CHECKED BY :	DATE : 18 JUN 99	PEAK PLASTIC & METAL PRODUCTS INT'L LTD.
3	P-00769	ADD RUNNER GATE	29 SEP 98		APPROVED BY :	DATE : 18 JUN 99	
2	P-00736	REMOVE CHAMFERS	26 NOV 97		APPROVED BY :	DATE : 18 JUN 99	TITLE : NH BG3131 2.2 0309 6
1	P-00665	CHANGE POSITION TOL	16 OCT 97		DO NOT SCALE DRAWING	CODE : CSA03012	DWG NO.: NH BG3131 2.2 0309 6
0		RELEASED FOR PRODUCTION	21 OCT 96				REV. 5
REV. NO.	ECN #	DESCRIPTION	DATE				