

- NOTES :
1. MATERIAL - PP8.
 2. ALL DIMENSIONS ARE IN MILLIMETERS.
 3. TOLERANCES - X.X=±0.25
- X.XX=±0.13
UNLESS OTHERWISE SPECIFIED.
 4. ESD - SURFACE RESISTIVITY
- 10⁵ TO 10¹¹ OHMS/SQ.
 5. FOR PACKAGE - PBGA
 6. PART NO. : NH BG3131 2.2 0309 8
(PLEASE INDICATE ON PURCHASE ORDER).



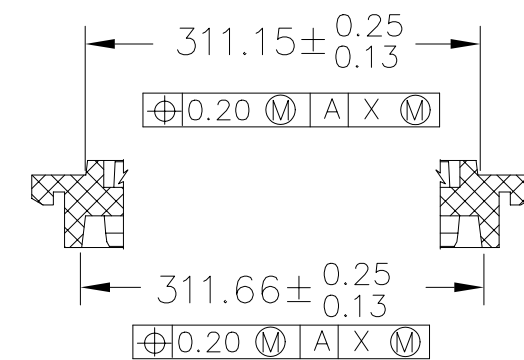
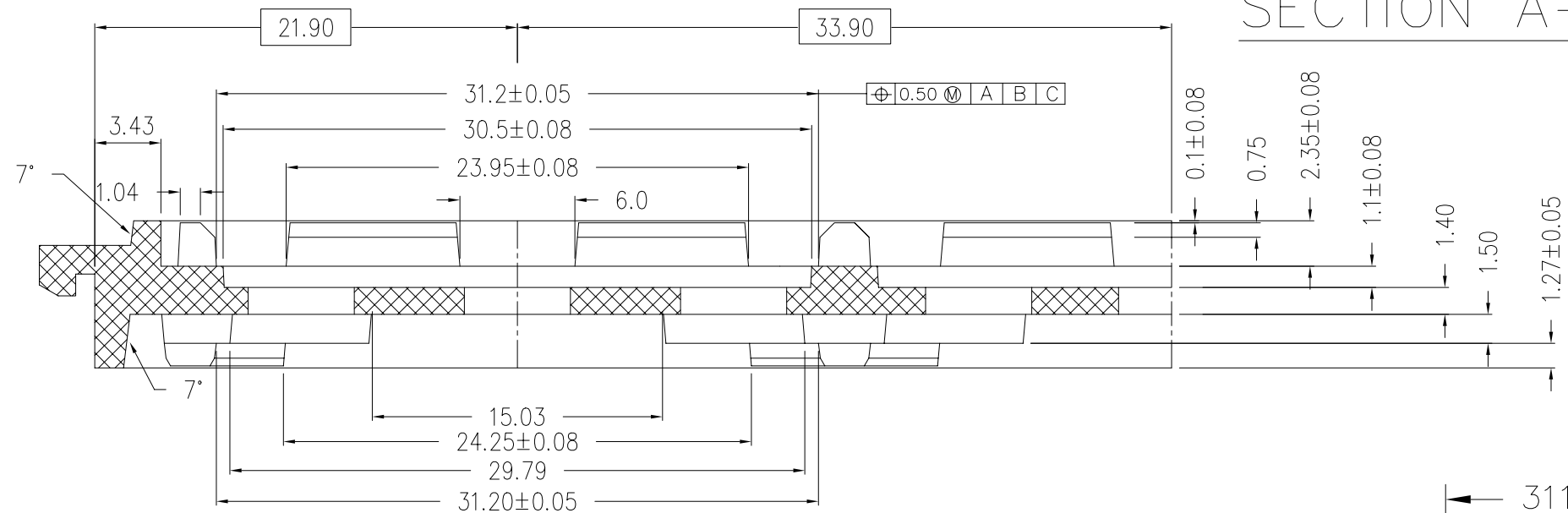
REV.NO.	ECN #	DESCRIPTION	DATE
5	P-00952	CHANGE TEMP. FOR PP13	18 JUN 99
4	P-00798	CHANGE SURFACE RESISTIVITY	1 FEB 99
3	P-00769	ADD RUNNER GATE	29 SEP 98
2	P-00736	REMOVE CHAMFERS	26 NOV 97
1	P-00665	CHANGE POSITION TOL	16 OCT 97
0		RELEASED FOR PRODUCTION	21 OCT 96

THIS DOCUMENT CONTAINS INFORMATION PROPRIETARY TO PEAK PLASTIC & METAL PRODUCTS INTERNATIONAL LIMITED. REPRODUCTION, DISCLOSURE OR USE OF THIS DOCUMENT IS EXPRESSLY PROHIBITED EXCEPT IF OTHERWISE AGREED UPON IN WRITING.

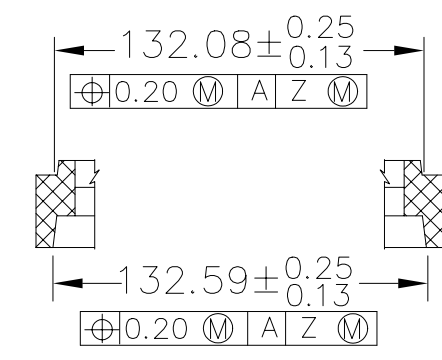
DRAWN BY : Wang	PAGE 1 OF 2
CHECKED BY :	DATE : 18 JUN 99
APPROVED BY :	DATE : 18 JUN 99
APPROVED BY :	DATE : 18 JUN 99
DO NOT SCALE DRAWING	CODE : CSA03012

CUSTOMER :	PEAK
TITLE :	NH BG3131 2.2 0309 8
DWG NO.:	NH BG3131 2.2 0309 8
REV. 5	

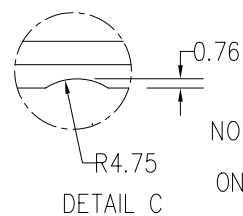
SECTION A-A



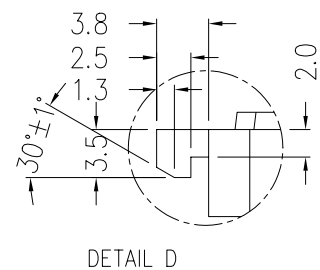
SECTION H-H



SECTION J-J

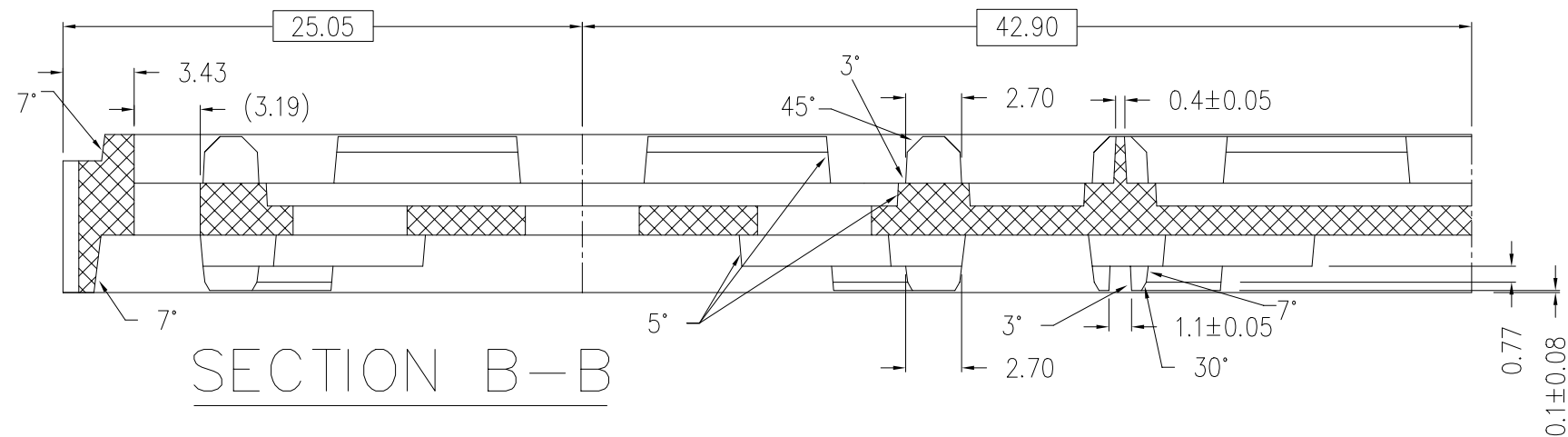


NOTE: SCALLOP IS CENTERED ON SIDE OF TRAY



DETAIL D

SECTION B-B



PEAK PEAK PLASTIC & METAL PRODUCTS INT'L LTD.

REV.NO.	ECN #	DESCRIPTION	DATE
5	P-00952	CHANGE TEMP. FOR PP13	18 JUN 99
4	P-00798	CHANGE SURFACE RESISTIVITY	1 FEB 99
3	P-00769	ADD RUNNER GATE	29 SEP 98
2	P-00736	REMOVE CHAMFERS	26 NOV 97
1	P-00665	CHANGE POSITION TOL	16 OCT 97
0		RELEASED FOR PRODUCTION	21 OCT 96

THIS DOCUMENT CONTAINS INFORMATION PROPRIETARY TO PEAK PLASTIC & METAL PRODUCTS INTERNATIONAL LIMITED. REPRODUCTION, DISCLOSURE OR USE OF THIS DOCUMENT IS EXPRESSLY PROHIBITED EXCEPT IF OTHERWISE AGREED UPON IN WRITING.

DRAWN BY : Wang	PAGE 2 OF 2
CHECKED BY :	DATE : 18 JUN 99
APPROVED BY :	DATE : 18 JUN 99
APPROVED BY :	DATE : 18 JUN 99
DO NOT SCALE DRAWING	CODE : CSA03012

CUSTOMER :	<i>PEAK</i>	
TITLE :	NH BG3131 2.2 0309 8	
DWG NO.:	NH BG3131 2.2 0309 8	REV. 5