

- NOTES :
1. MATERIAL - PP8.
 2. ALL DIMENSIONS ARE IN MILLIMETERS.
 3. TOLERANCES - X.X=±0.25
- X.XX=±0.13
UNLESS OTHERWISE SPECIFIED.
 4. ESD - SURFACE RESISTIVITY
- 10⁵ TO 10¹¹ OHMS/SQ.
 5. FOR PACKAGE - PBGA
 6. PART NO. : NX BG3535 2.2 0308 8 REV.A
(PLEASE INDICATE ON PURCHASE ORDER).

REV.NO.	ECN #	DESCRIPTION	DATE
12	P-01053	ADD 2 RIBS AT THE BOTTOM OF THE TRAY Y DIRECTION	14 MAY 01
11	P-00806	CHANGE SURFACE RESISTIVITY	2 FEB 99
10	P-00662	CHANGE POSITION TOL	18 OCT 97
9	P-00592	CHANGE DIMS	18 MAR 97
8	P-00569	CHANGE BOTTOM FENCE DIM IN DRAWING	8 JUL 96
7	P-00558	ADD IN MATERIAL PP6	17 OCT 95

THIS DOCUMENT CONTAINS INFORMATION PROPRIETARY TO PEAK PLASTIC & METAL PRODUCTS INTERNATIONAL LIMITED. REPRODUCTION, DISCLOSURE OR USE OF THIS DOCUMENT IS EXPRESSLY PROHIBITED EXCEPT IF OTHERWISE AGREED UPON IN WRITING.

DRAWN BY : Wang	PAGE 1 OF 2
CHECKED BY :	DATE : 14 MAY 01
APPROVED BY :	DATE : 14 MAY 01
APPROVED BY :	DATE : 14 MAY 01
DO NOT SCALE DRAWING	CODE : CSA00688

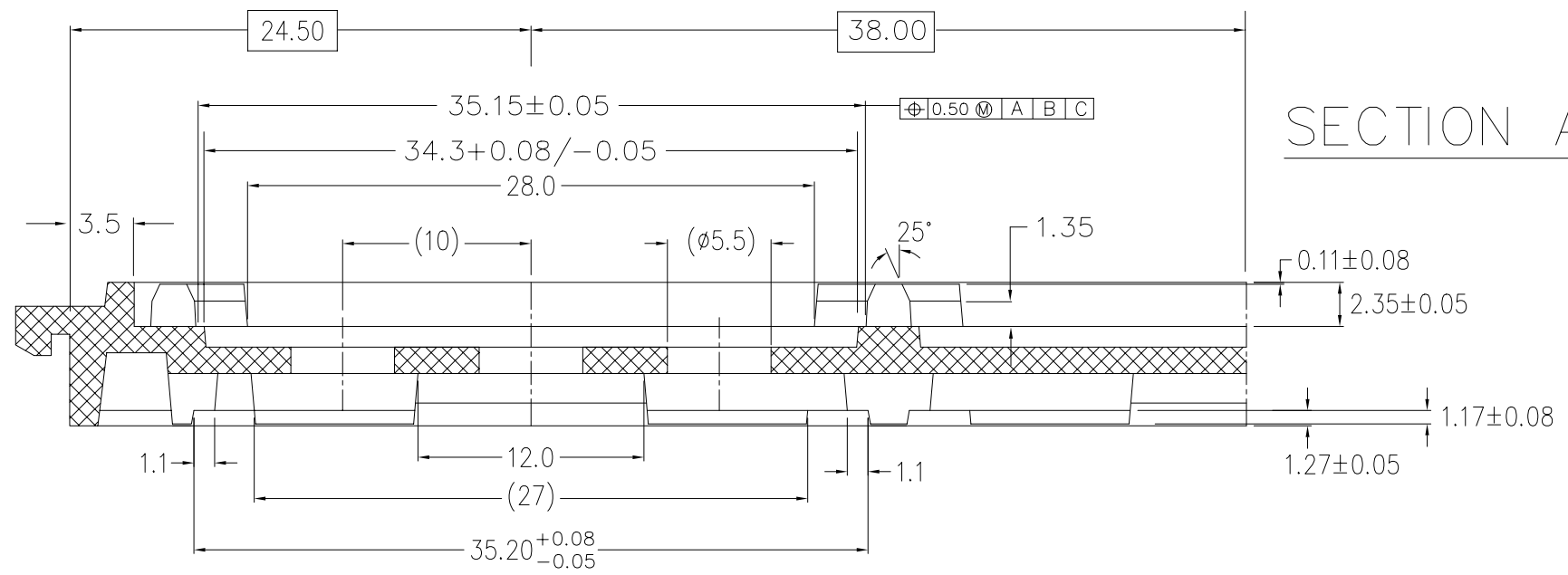

PEAK PLASTIC & METAL PRODUCTS INT'L LTD.

CUSTOMER : *PEAK*

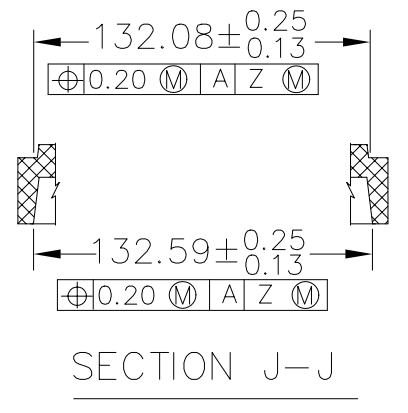
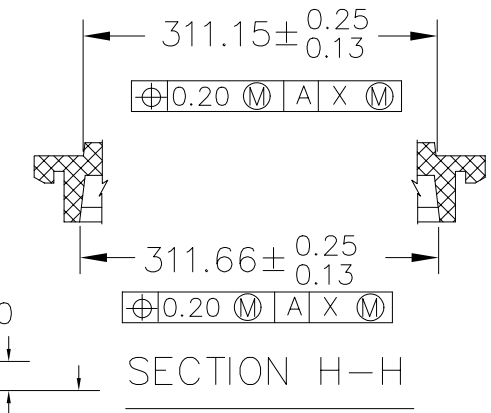
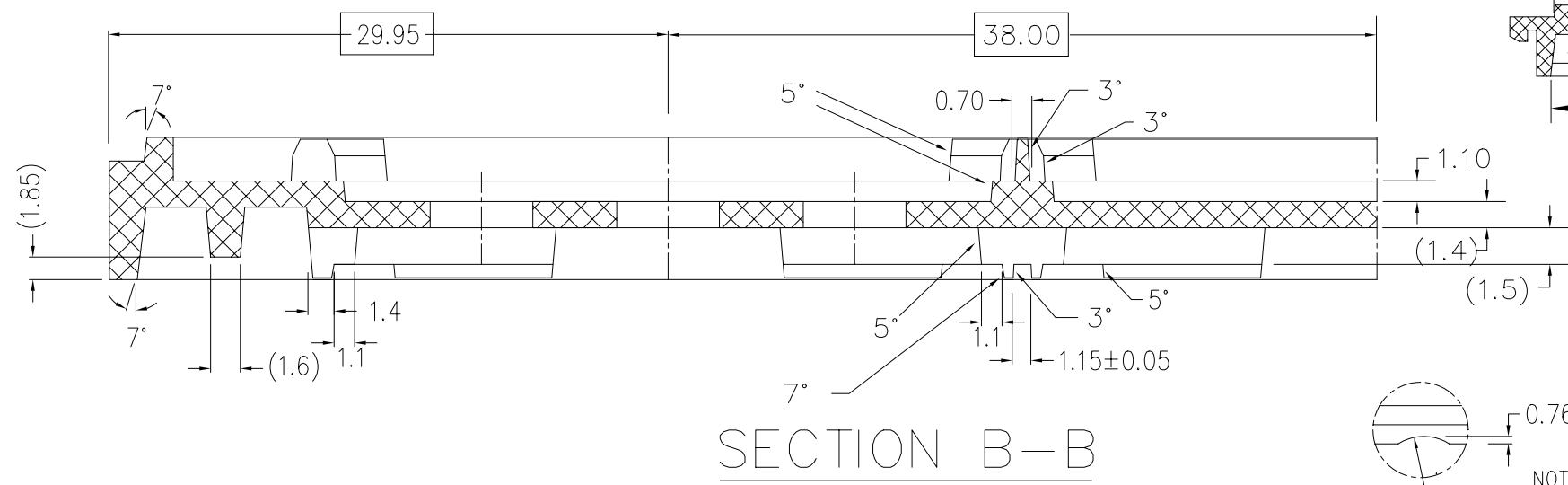
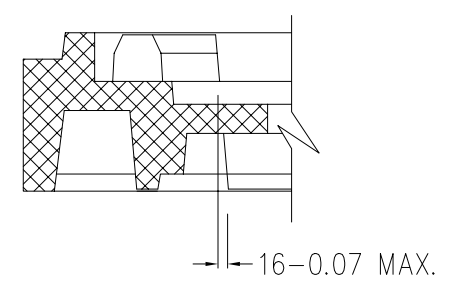
TITLE : NX BG3535 2.2 0308 8 REV.A

DWG NO.: NX BG3535 2.2 0308 8 REV.A

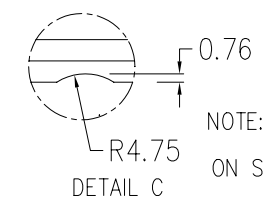
REV. 12



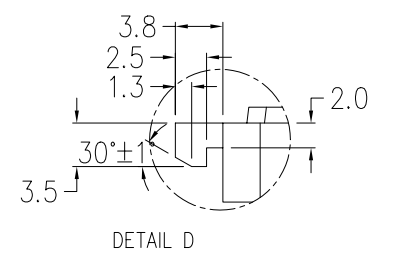
SECTION D-D



SECTION B-B



NOTE: SCALLOP IS CENTERED ON SIDE OF TRAY



REV.NO.	ECN #	DESCRIPTION	DATE
12	P-01053	ADD 2 RIBS AT THE BOTTOM OF THE TRAY Y DIRECTION	14 MAY 01
11	P-00806	CHANGE SURFACE RESISTIVITY	2 FEB 99
10	P-00662	CHANGE POSITION TOL	18 OCT 97
9	P-00592	CHANGE DIMS	18 MAR 97
8	P-00569	CHANGE BOTTOM FENCE DIM IN DRAWING	8 JUL 96
7	P-00558	ADD IN MATERIAL PP6	17 OCT 95

THIS DOCUMENT CONTAINS INFORMATION PROPRIETARY TO PEAK PLASTIC & METAL PRODUCTS INTERNATIONAL LIMITED. REPRODUCTION, DISCLOSURE OR USE OF THIS DOCUMENT IS EXPRESSLY PROHIBITED EXCEPT IF OTHERWISE AGREED UPON IN WRITING.

DRAWN BY : Wang	PAGE 2 OF 2
CHECKED BY :	DATE : 14 MAY 01
APPROVED BY :	DATE : 14 MAY 01
APPROVED BY :	DATE : 14 MAY 01
DO NOT SCALE DRAWING	CODE : CSA00688


PEAK PLASTIC & METAL PRODUCTS INT'L LTD.

CUSTOMER : *PEAK*

TITLE : NX BG3535 2.2 0308 8 REV.A

DWG NO.: NX BG3535 2.2 0308 8 REV.A

REV. 12