

DESCRIPTION

The R8A66174 is a CMOS LSI with 63-byte FIFO (First-In First-Out Memory). The commands or up to 63-bytes data can be stored from 8-bit data bus. The data stored in FIFO can be outputted as serial data by executing command, and when the stored data is outputted all, R8A66174 will output an interrupt request signal. R8A66174 has 2-bit output pins (/OE, LATCH) which can set/reset outside devices by the command, R8A66174 can be connected to peripheral circuits that have a serial latch structure. R8A66174 is the succession product of M66300.

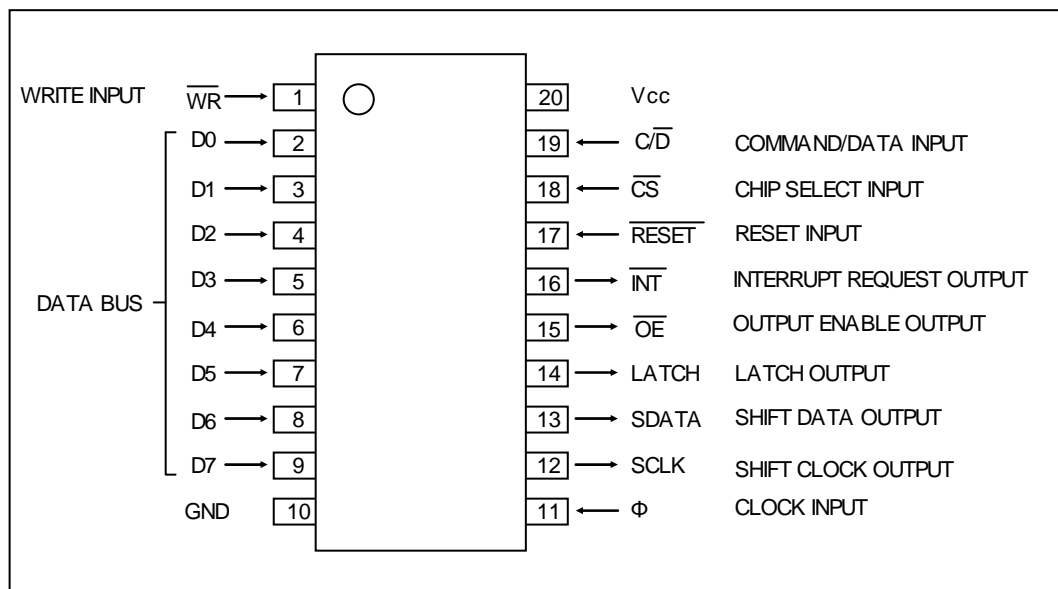
FEATURES

- General-purpose 8-bit CPU bus compatible
- Built-in 63-byte FIFO
- High-speed output (10Mbps)
- It's able to connect to LED array driver such as R8A66160 or R8A66161 directly
- Low-noise, high-output circuit
IOL=16mA, IOH=-16mA (IOL=4mA, IOH=-4mA for /INT)
- Schmitt input (/RESET)
- Wide operating supply voltage range (Vcc=3.0~3.6V or Vcc=4.5~5.5V)
- Wide operating temperature range (Ta=-40~85°C)

APPLICATION

General digital equipment for industrial and home use, panel display controllers, and eraser unit controller for copying machine.

PIN CONFIGURATION (TOP VIEW)



BASIC OPERATION

Fig. 1 shows the basic operation flowchart. Data inputs D0~D7 are switched among four commands and 8-bit parallel data by the C/D signal. When C/D is 1, the command is stored in sync with the rise of /WR.

For initiate to work this IC, at first command 1 should be stored. Command 1 sets the division ratio for clock input Φ as 5 divisions of 1, 1/2, 1/4, 1/8 and 1/16. (The default ratio is 1.)

Then command 2 should be stored. When it is stored, 8-bit parallel data is written into the internal memory (FIFO) on the write cycle of the CPU. The maximum capacity of its FIFO is 63 bytes.

When the write operation has done, command 3 should be stored. For this action, all data in the internal memory is outputted as serial data (SDATA) in sync with the shift clock (SCLK output) which is set by command 1. Then, each data is outputted from LSB.

The SDATA changes on the fall of SCLK. When it finishes to output data, an interrupt request /INT is outputted to the CPU.

/INT is canceled by command 4 or command 2 and command 3. The command 4 sets/resets two control ports (LATCH, /OE) as well as canceling /INT. If command 3 is executed without executing command 2 after command 4, the already written-in data can be re-outputted. If it is not required to re-output the previous data, please execute command 2 before command 3 will be executed.

<Attention>

In spite of having stored write mode by command 2, when serial out mode is stored by command 3, without writing any parallel data to an internal memory (FIFO), an incorrect output appears in SDATA, SCLK, and /INT.

Please be careful.

(command 2 store > data is not written > command 3 store :
Please avoid such usage.)

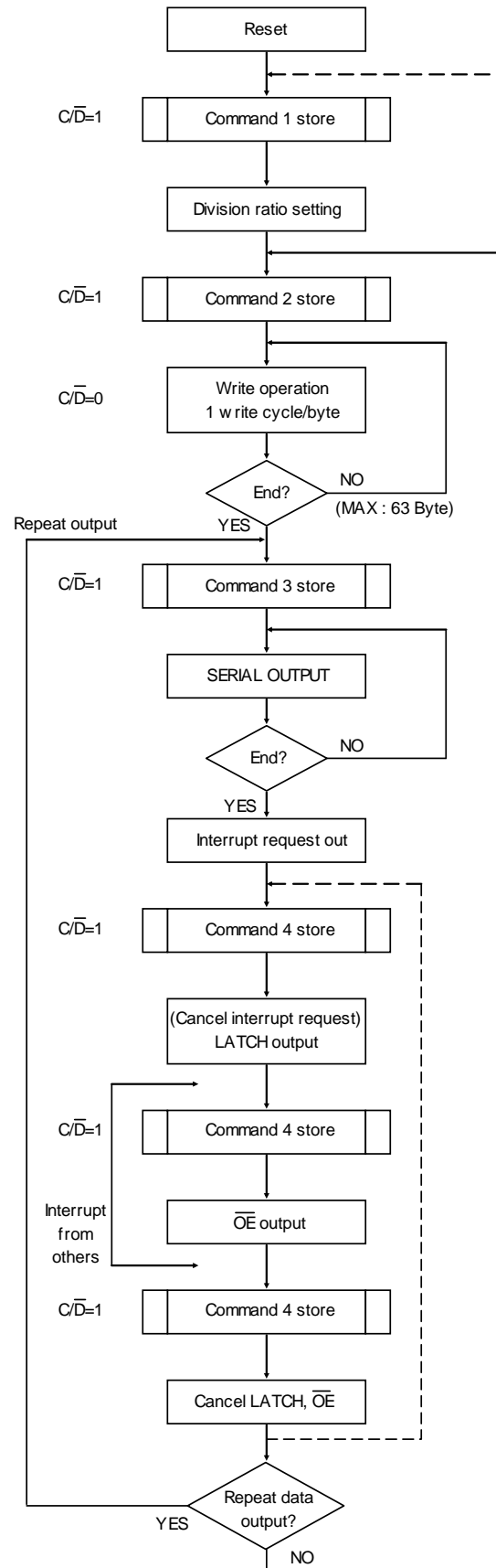


Fig. 1 Flowchart (Basic operation)

PIN DESCRIPTION

Pin name	Function
/RESET(Reset input)	When this is low-level, it clears the command and shift register and initializes the address of the internal memory (FIFO).
Φ (Clock input)	When the frequency of clock input Φ is f_0 , the frequency f of shift clock output SCLK is given by the following equation. $f = (1/n) \cdot f_0$ ($n = 1, 2, 4, 8, 16$)
/CS(Chip select input)	When this is low-level, communication between the R8A66174 and the CPU becomes possible. When this is high-level, data from the CPU is ignored. However, data in the internal memory is maintained.
C/D(Command/data input)	The information on D0~D7 is regarded as commands when this is high-level and is regarded as data when this is low-level.
/WR(Write input)	On /WR rise, a command from the CPU is written into the command register and data is written into the internal memory. This input generates the serial data start signal, cancels /INT, and sets the 2-bit control ports (LATCH, /OE).
SCLK(Shift clock output)	The clock frequency is determined by D6~D4 when D7 is 1, as shown in Table 3 and Fig.2. Clock output starts on /WR rise of command 3.
SDATA(Shift data output)	All data written in the internal memory are output as serial data in sync with the SCLK.
/INT(Interrupt request output)	When output of all data in the internal memory ends, a low-level signal is output.
LATCH(Latch output)	These two outputs are set/reset by command 4 on /WR rise. The signal was named after the IC connected in the next stage, but it can be used freely for other applications.
/OE(Output enable output)	

INSTRUCTION SET

Four commands can be set by the 8-bit command words from the CPU.

Table 2 Command setting

Command	Command word	Function	Remark
1	$80_{16} \sim C0_{16}$	Division ratio setting	Note2
2	00_{16}	Write mode from the CPU to the internal memory is set.	Note3
3	01_{16}	Data output mode from the internal memory (FIFO) is set.	
4	$08_{16} \sim 0F_{16}$	Cancels the /INT and sets the two control ports (LATCH, /OE).	Note3,4

Note 2 : Lower byte can be 0~F.

3 : Upper byte can be 1~7.

4 : /INT can also be canceled by command 2 or command 3.

Fig. 2 shows the method for determining the command word for the instruction set. When D7 is 1, D3~D0 are masked and when D3 is 1, D0 is masked.

Table 3 Division ratio setting

D7~D4	Division
8	Φ
9	1/2 of Φ
A	1/4 of Φ
B	1/8 of Φ
C	1/16 of Φ

Table 4 /OE, LATCH setting

D3~D0	/OE	LATCH	/INT cancellation
8, 9	0	0	It is canceled ↓
A, B	0	1	
C, D	1	0	
E, F	1	1	

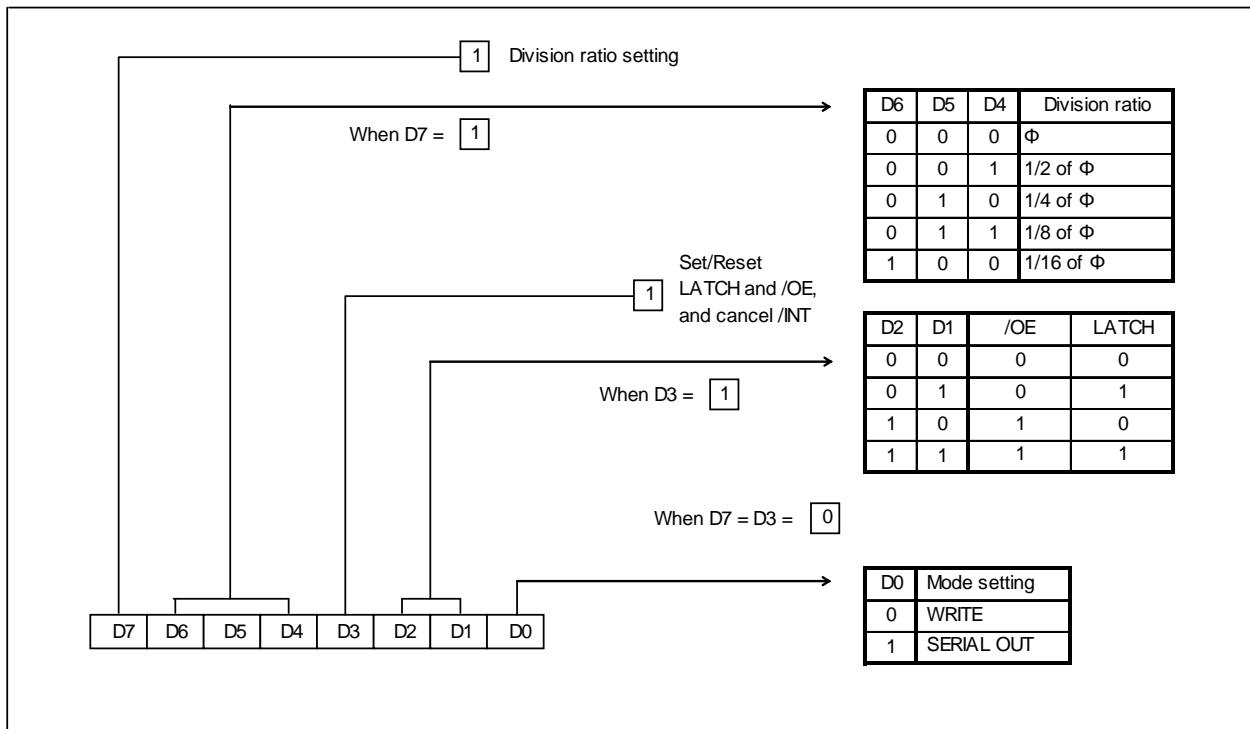
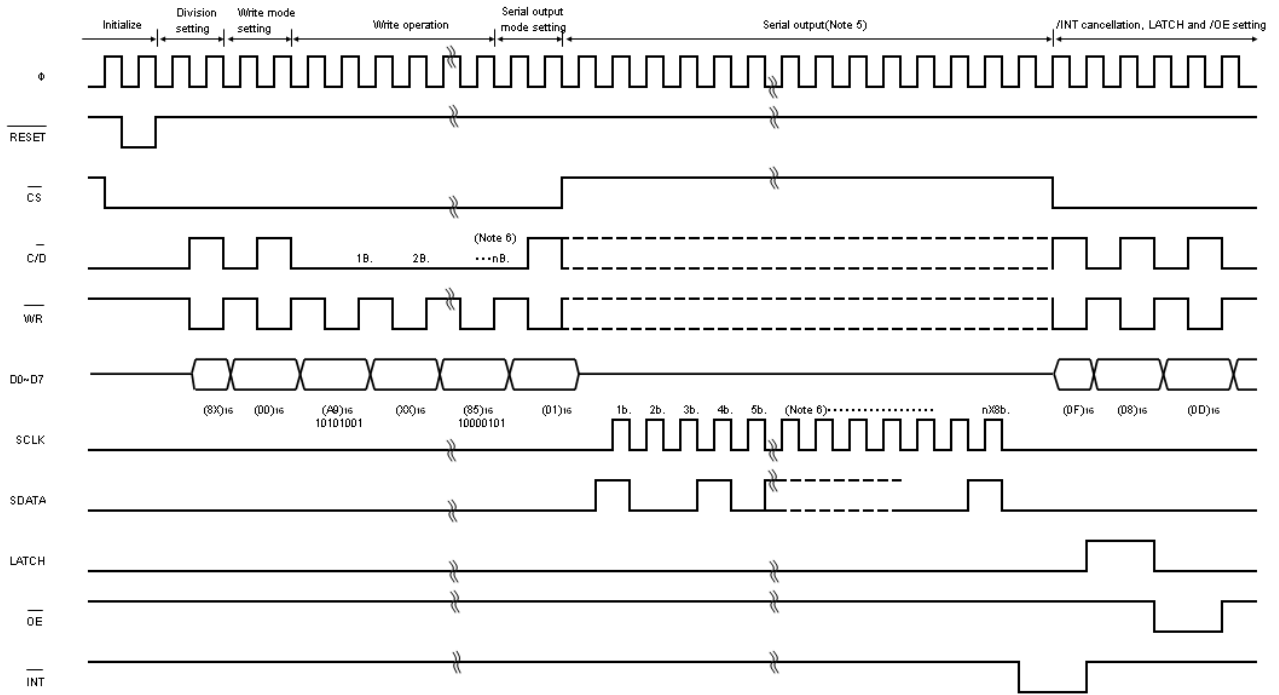


Fig. 2 Instruction set

EXAMPLE OF TIME CHART



Note 5 : Always maintain *WR* at high-level when *CS* is low-level.

6 : B = Byte, b = bit

7 : Φ need not be the CPU signal. (Φ and *WR* need not be synchronous.)

8 : Φ indicates the value when division ratio is set 1. If the division ratio is other than 1, a similar time chart is obtained if Φ is regarded as the waveform divided.

ABSOLUTE MAXIMUM RATINGS

Symbol	Parameter	Conditions	Ratings	Unit
V _{cc}	Supply voltage		-0.5~+7.0	V
V _i	Input voltage		-0.5~V _{cc} +0.5	V
V _o	Output voltage		-0.5~V _{cc} +0.5	V
P _d	Power dissipation		500	mW
T _{stg}	Storage temperature		-65~150	°C

RECOMMENDED OPERATING CONDITIONS (T_a=-40~85°C)

Symbol	Parameter	Limits			Unit	
		Min	Typ	Max		
V _{cc}	Supply voltage	5.0V	4.5	5.0	5.5	V
		3.3V	3.0	3.3	3.6	V
GND	Supply voltage		0			V
V _i	Input voltage	0		V _{cc}		V
V _o	Output voltage	0		V _{cc}		V
T _{opr}	Operating temperature range	-40		85		°C

ELECTRICAL CHARACTERISTICS

■ 5.0V version support specifications (T_a=-40~85°C, V_{cc}=4.5~5.5V)

Symbol	Parameter	Test conditions	Limits			Unit
			Min	Typ	Max	
V _{IH}	High-level input voltage	Inputs except /RESET	0.75XV _{cc}			V
V _{IL}	Low-level input voltage				0.25XV _{cc}	V
V _{T+}	Positive input threshold voltage	/RESET	0.35XV _{cc}		0.8XV _{cc}	V
V _{T-}	Negative input threshold voltage		0.2XV _{cc}		0.65XV _{cc}	V
V _H	Hysteresis width		0.4			V
V _{OH}	High-level output voltage	/INT	I _{OH} =-4mA	V _{cc} -0.8		V
		Outputs except /INT	I _{OH} =-16mA	V _{cc} -0.8		V
V _{OL}	Low-level output voltage	/INT	I _{OL} =4mA		0.53	V
		Outputs except /INT	I _{OL} =16mA		0.53	V
I _{cc}	Supply current	V _i =V _{cc} or GND			50	mA
I _{IH}	High-level input current	V _i =V _{cc}			+1	μA
I _{IL}	Low-level input current	V _i =0V			-1	μA

■ 3.3V version support specifications (T_a=-40~85°C, V_{cc}=3.0~3.6V)

Symbol	Parameter	Test conditions	Limits			Unit
			Min	Typ	Max	
V _{IH}	High-level input voltage	Inputs except /RESET	0.75XV _{cc}			V
V _{IL}	Low-level input voltage				0.25XV _{cc}	V
V _{T+}	Positive input threshold voltage	/RESET	0.35XV _{cc}		0.8XV _{cc}	V
V _{T-}	Negative input threshold voltage		0.2XV _{cc}		0.65XV _{cc}	V
V _H	Hysteresis width		0.4			V
V _{OH}	High-level output voltage	/INT	I _{OH} =-2mA	V _{cc} -0.4		V
		Outputs except /INT	I _{OH} =-8mA	V _{cc} -0.6		V
V _{OL}	Low-level output voltage	/INT	I _{OL} =2mA		0.4	V
		Outputs except /INT	I _{OL} =8mA		0.5	V
I _{cc}	Supply current	V _i =V _{cc} or GND			50	mA
I _{IH}	High-level input current	V _i =V _{cc}			+1	μA
I _{IL}	Low-level input current	V _i =0V			-1	μA

Note 9 : The current flowing into the IC is positive (no sign).

TIMING REQUIREMENTS (Ta=-40~85°C, Vcc=4.5~5.5V or 3.0~3.6V)

Symbol	Parameter	Test condition	Limits for 5.0V			Limits for 3.3V			Unit
			Min	Typ	Max	Min	Typ	Max	
tw(Φ)	Clock pulse width		50			60			ns
tw(/W)	Write pulse width		100			120			ns
tw(/R)	Reset pulse width		100			120			ns
tsu(D-/W)	Data setup time before write		50			60			ns
th(W-D)	Data hold time after write		0			0			ns
tsu(A-/W)	Address setup time before write		0			0			ns
th(W-A)	Address hold time after write		0			0			ns
trec(W)	Write recovery time		100			120			ns
trec(/INT-/W)	Write recovery time after /INT		100			120			ns
trec(R-/W)	Write recovery time after reset		100			120			ns

Note 10 : Increase of the input rise time (tr) and fall time (tf) of clock input Φ may cause misoperation.
tr, tf : These are recommended to be 20ns or less.

SWITCHING CHARACTERISTICS (Ta=-40~85°C, Vcc=4.5~5.5V or 3.0~3.6V)

Symbol	Parameter	Test condition	Limits for 5.0V			Limits for 3.3V			単位
			Min	Typ	Max	Min	Typ	Max	
tc(Φ)	Clock Cycle		100			120			ns
tPLH(W-/INT)	Propagation time between write and /INT				100			120	ns
tPLH(R-/INT)	Propagation time between /RESET and /INT	CL=50pF			100			120	ns
tPLH(W-/OE)	Propagation time between write and /OE				100			120	ns
tPHL(W-/OE)	Propagation time between write and /OE				100			120	ns
tPLH(W-LA)	Propagation time between write and LATCH				100			120	ns
tPHL(W-LA)	Propagation time between write and LATCH				100			120	ns
tPLH(W-SC)	Propagation time between write and SCLK		1xT	—	2xT+100	1xT	—	2xT+120	ns
tPLH(Φ -SC)	Propagation time between Φ and SCLK	CL=150pF			100			120	ns
tPLH(Φ -SD)	Propagation time between Φ and SDATA				100			120	ns
tPHL(Φ -SD)	Propagation time between Φ and SDATA				100			120	ns
tPHL(Φ -/INT)	Propagation time between Φ and /INT				100			120	ns
tPLH(R-/OE)	Propagation time between /RESET and /OE				100			120	ns
tPHL(R-LA)	Propagation time between /RESET and LATCH				100			120	ns
tTLH	Low to high level output transition time (/INT)	CL=50pF			25			30	ns
tTHL	High to low level output transition time (/INT)				25			30	ns
tTLH	Low to high level output transition time (SCLK, SDATA, /OE, LATCH)	CL=150pF			25			30	ns
tTHL	High to low level output transition time (SCLK, SDATA, /OE, LATCH)				25			30	ns

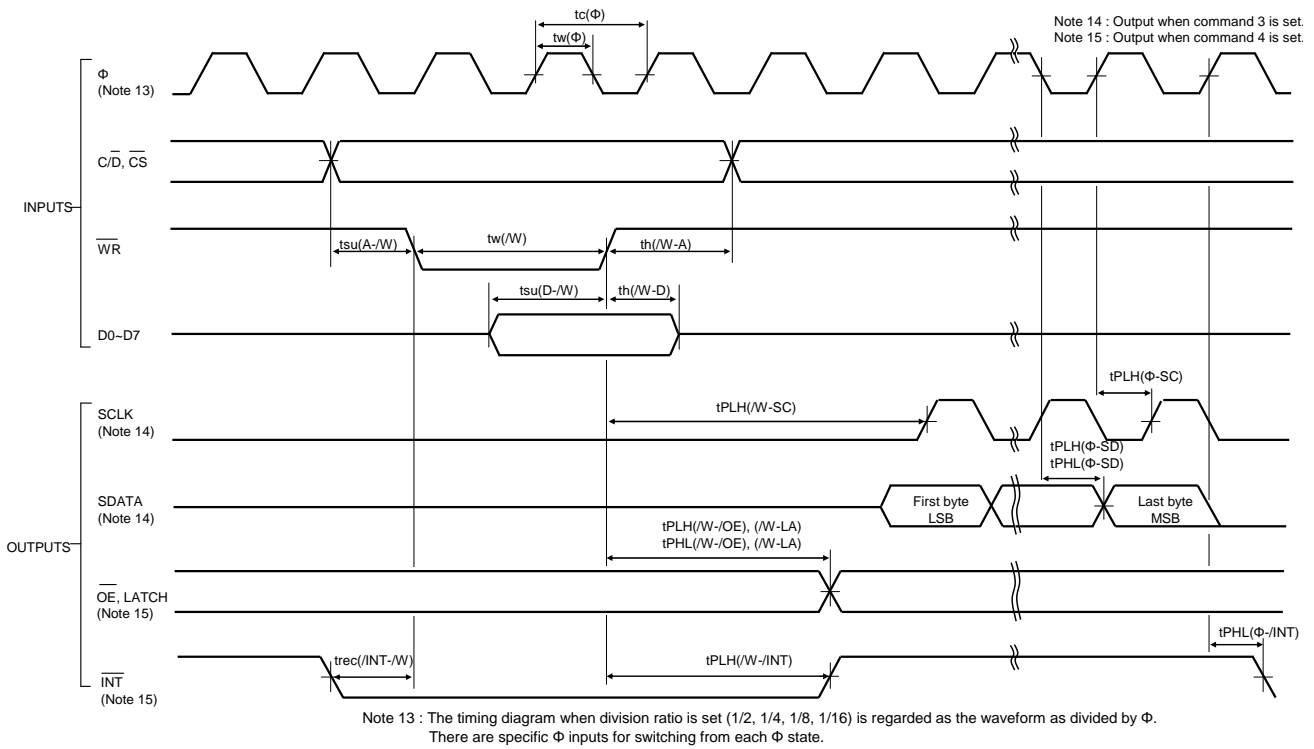
Note 11 : T=(1/ Φ)x(1/division ratio) [ns]

12 : AC test waveform

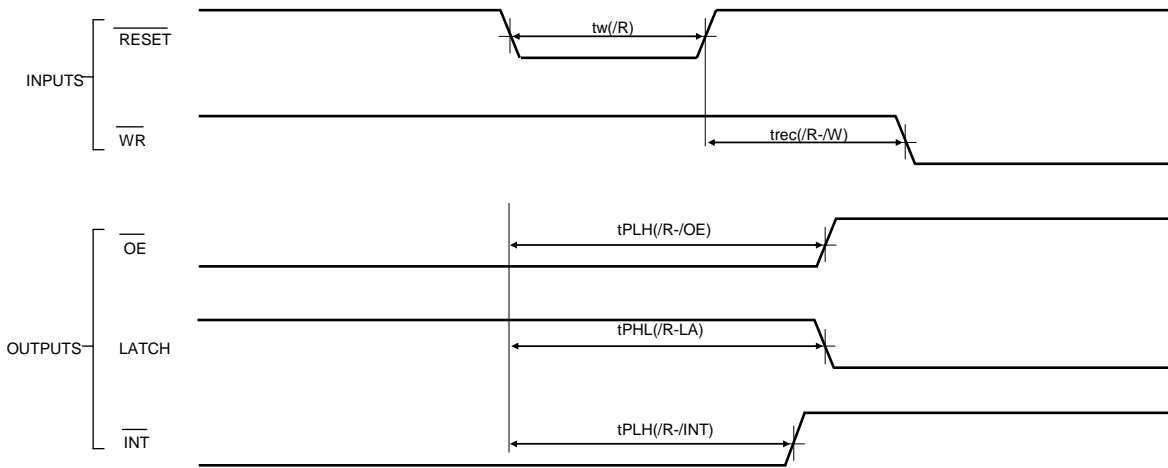
Input pulse level	0~Vcc
Input pulse rise time	6ns
Input pulse fall time	6ns
Reference voltage	
Input voltage	0.5XVcc
Output voltage	0.5XVcc

TIMING DIAGRAM

Instruction set 1~4



Timing diagram when \overline{RESET}



\overline{WR} recovery time other than data reading



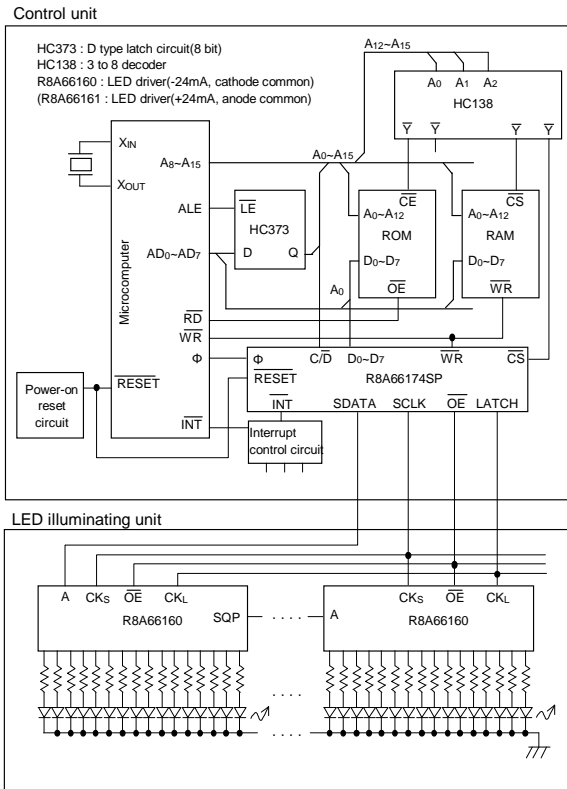


Fig. 3 Application example 1(PPC copying machine eraser circuit)

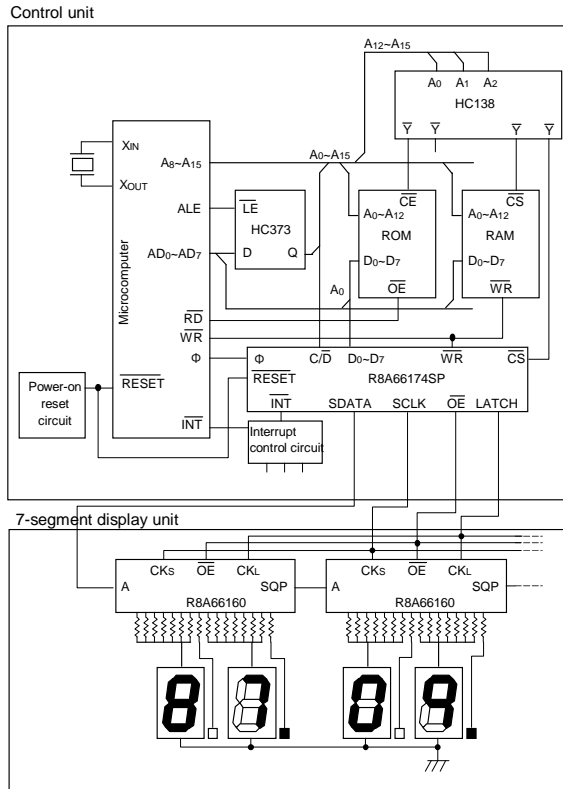
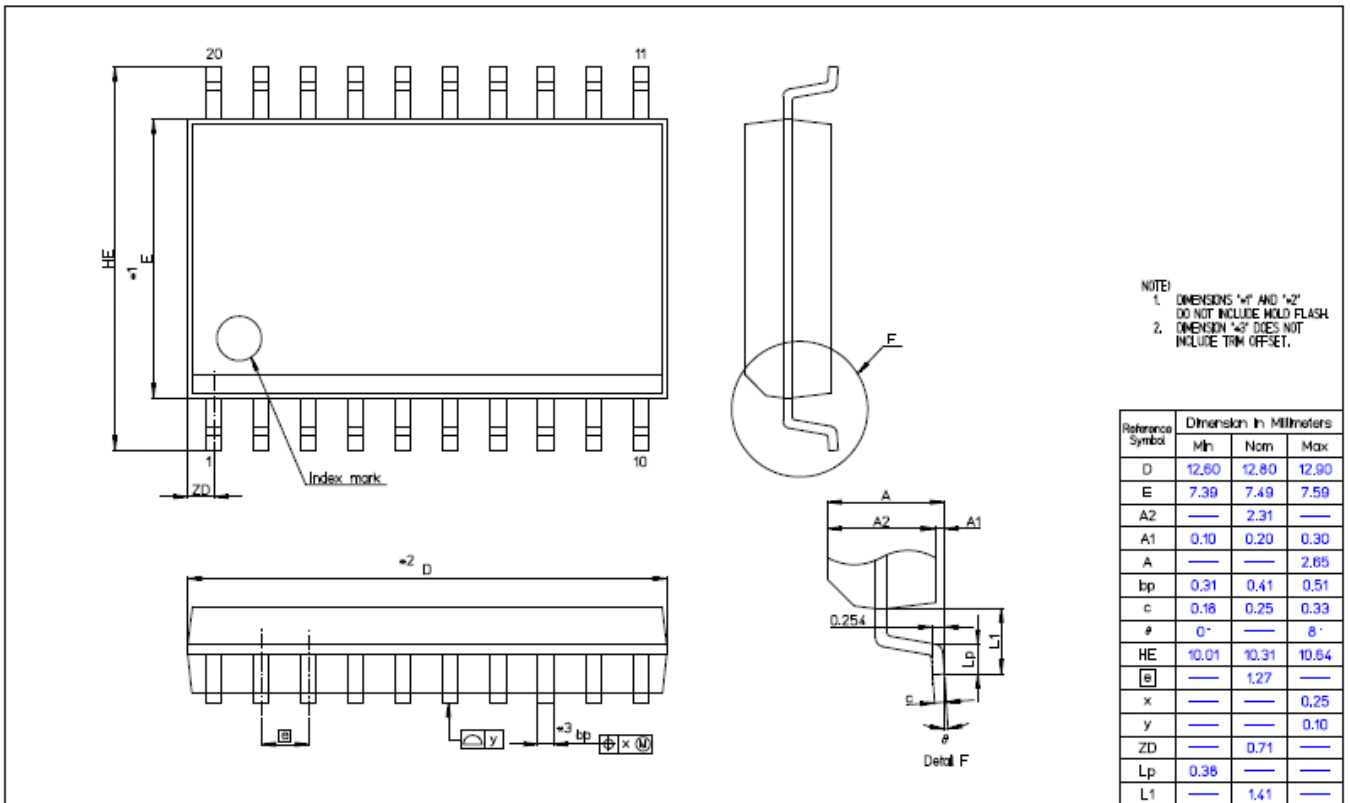


Fig. 4 Application example 2(Panel display circuit)

PACKAGE OUTLINE

Package	RENESAS Code	Previous Code
20pin SOP	PRSP0020DG-A	20P2X-C



All trademarks and registered trademarks are the property of their respective owners.

Notes:

1. This document is provided for reference purposes only so that Renesas customers may select the appropriate Renesas products for their use. Renesas neither makes warranties or representations with respect to the accuracy or completeness of the information contained in this document nor grants any license to any intellectual property rights or any other rights of Renesas or any third party with respect to the information in this document.
2. Renesas shall have no liability for damages or infringement of any intellectual property or other rights arising out of the use of any information in this document, including, but not limited to, product data, diagrams, charts, programs, algorithms, and application circuit examples.
3. You should not use the products or the technology described in this document for the purpose of military applications such as the development of weapons of mass destruction or for the purpose of any other military use. When exporting the products or technology described herein, you should follow the applicable export control laws and regulations, and procedures required by such laws and regulations.
4. All information included in this document such as product data, diagrams, charts, programs, algorithms, and application circuit examples, is current as of the date this document is issued. Such information, however, is subject to change without any prior notice. Before purchasing or using any Renesas products listed in this document, please confirm the latest product information with a Renesas sales office. Also, please pay regular and careful attention to additional and different information to be disclosed by Renesas such as that disclosed through our website. (<http://www.renesas.com>)
5. Renesas has used reasonable care in compiling the information included in this document, but Renesas assumes no liability whatsoever for any damages incurred as a result of errors or omissions in the information included in this document.
6. When using or otherwise relying on the information in this document, you should evaluate the information in light of the total system before deciding about the applicability of such information to the intended application. Renesas makes no representations, warranties or guarantees regarding the suitability of its products for any particular application and specifically disclaims any liability arising out of the application and use of the information in this document or Renesas products.
7. With the exception of products specified by Renesas as suitable for automobile applications, Renesas products are not designed, manufactured or tested for applications or otherwise in systems the failure or malfunction of which may cause a direct threat to human life or create a risk of human injury or which require especially high quality and reliability such as safety systems, or equipment or systems for transportation and traffic, healthcare, combustion control, aerospace and aeronautics, nuclear power, or undersea communication transmission. If you are considering the use of our products for such purposes, please contact a Renesas sales office beforehand. Renesas shall have no liability for damages arising out of the uses set forth above.
8. Notwithstanding the preceding paragraph, you should not use Renesas products for the purposes listed below:
 - (1) artificial life support devices or systems
 - (2) surgical implantations
 - (3) healthcare intervention (e.g., excision, administration of medication, etc.)
 - (4) any other purposes that pose a direct threat to human lifeRenesas shall have no liability for damages arising out of the uses set forth in the above and purchasers who elect to use Renesas products in any of the foregoing applications shall indemnify and hold harmless Renesas Technology Corp., its affiliated companies and their officers, directors, and employees against any and all damages arising out of such applications.
9. You should use the products described herein within the range specified by Renesas, especially with respect to the maximum rating, operating supply voltage range, movement power voltage range, heat radiation characteristics, installation and other product characteristics. Renesas shall have no liability for malfunctions or damages arising out of the use of Renesas products beyond such specified ranges.
10. Although Renesas endeavors to improve the quality and reliability of its products, IC products have specific characteristics such as the occurrence of failure at a certain rate and malfunctions under certain use conditions. Please be sure to implement safety measures to guard against the possibility of physical injury, and injury or damage caused by fire in the event of the failure of a Renesas product, such as safety design for hardware and software including but not limited to redundancy, fire control and malfunction prevention, appropriate treatment for aging degradation or any other applicable measures. Among others, since the evaluation of microcomputer software alone is very difficult, please evaluate the safety of the final products or system manufactured by you.
11. In case Renesas products listed in this document are detached from the products to which the Renesas products are attached or affixed, the risk of accident such as swallowing by infants and small children is very high. You should implement safety measures so that Renesas products may not be easily detached from your products. Renesas shall have no liability for damages arising out of such detachment.
12. This document may not be reproduced or duplicated, in any form, in whole or in part, without prior written approval from Renesas.
13. Please contact a Renesas sales office if you have any questions regarding the information contained in this document, Renesas semiconductor products, or if you have any other inquiries.



RENESAS SALES OFFICES

<http://www.renesas.com>

Refer to "<http://www.renesas.com/en/network>" for the latest and detailed information.

Renesas Technology America, Inc.
450 Holger Way, San Jose, CA 95134-1368, U.S.A
Tel: <1> (408) 382-7500, Fax: <1> (408) 382-7501

Renesas Technology Europe Limited
Dukes Meadow, Millboard Road, Bourne End, Buckinghamshire, SL8 5FH, U.K.
Tel: <44> (1628) 585-100, Fax: <44> (1628) 585-900

Renesas Technology (Shanghai) Co., Ltd.
Unit 204, 205, AZIACenter, No.1233 Lujiazui Ring Rd, Pudong District, Shanghai, China 200120
Tel: <86> (21) 5877-1818, Fax: <86> (21) 6887-7858/7898

Renesas Technology Hong Kong Ltd.
7th Floor, North Tower, World Finance Centre, Harbour City, Canton Road, Tsimshatsui, Kowloon, Hong Kong
Tel: <852> 2265-6688, Fax: <852> 2377-3473

Renesas Technology Taiwan Co., Ltd.
10th Floor, No.99, Fushing North Road, Taipei, Taiwan
Tel: <886> (2) 2715-2888, Fax: <886> (2) 3518-3399

Renesas Technology Singapore Pte. Ltd.
1 Harbour Front Avenue, #06-10, Keppel Bay Tower, Singapore 098632
Tel: <65> 6213-0200, Fax: <65> 6278-8001

Renesas Technology Korea Co., Ltd.
Kukje Center Bldg. 18th Fl., 191, 2-ka, Hangang-ro, Yongsan-ku, Seoul 140-702, Korea
Tel: <82> (2) 796-3115, Fax: <82> (2) 796-2145

Renesas Technology Malaysia Sdn. Bhd
Unit 906, Block B, Menara Amcorp, Amcorp Trade Centre, No.18, Jln Persiaran Barat, 46050 Petaling Jaya, Selangor Darul Ehsan, Malaysia
Tel: <603> 7955-9390, Fax: <603> 7955-9510