

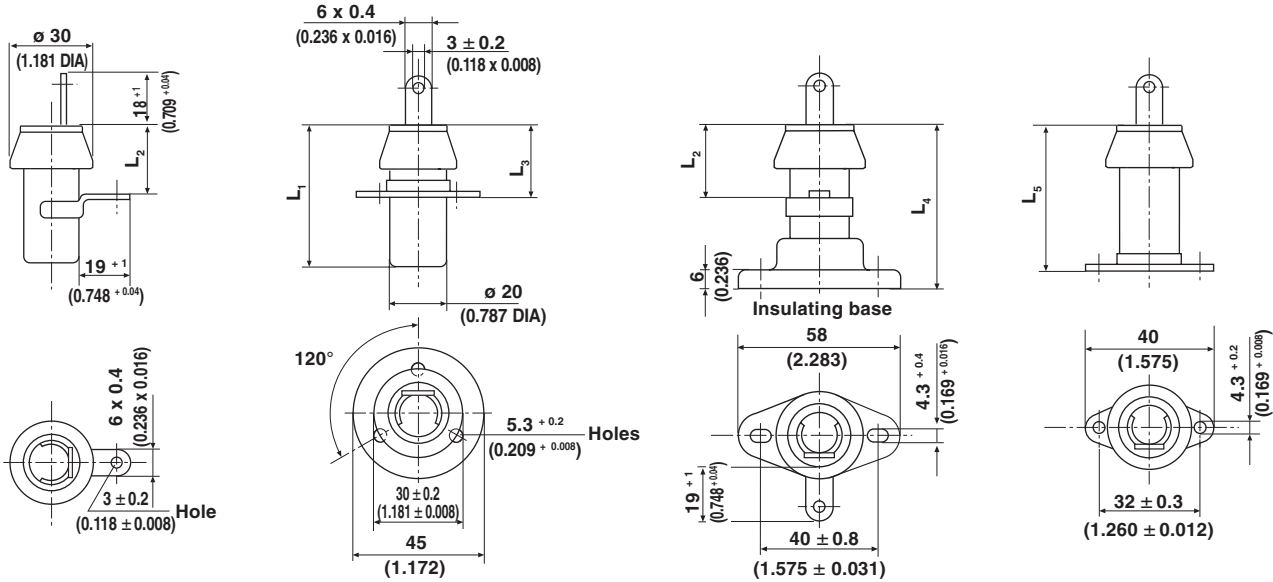
Pot Capacitors, Tag Mounting

TA 6 KV_p to 8 KV_p

TB 6 KV_p to 8 KV_p

TC 6 KV_p to 8 KV_p

TE 6 KV_p to 8 KV_p



• Dimensions in millimeters (inches)

MATERIAL:

Capacitor elements made from Class 1 ceramic dielectric with noble metal electrodes.

Connection Terminals: Copper/brass, silver plated.

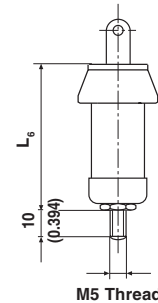
FINISH:

Noble metal electrodes completely lacquered. Insulating rim glazed.

MARKING:

Type designator, Capacitance value and tolerance, Rated voltage (peak value), Production date code, Ceramic material code, DRALORIC Logo.

TD 6 KV_p to 8 KV_p



MODEL	T. 020030	T. 020050	T. 020080
Length L ₁	30 (1.181)	50 (1.969)	80 (3.1500)
Length L ₂	15 ± 1.5 (0.591 ± 0.059)	25 ± 2 (0.984 ± 0.079)	40 ± 2 (1.575 ± 0.079)
Length L ₃	20 ± 1.5 (0.787 ± 0.059)	25 ± 2 (0.984 ± 0.079)	40 ± 2 (1.575 ± 0.079)
Length L ₄	46 ± 2 (1.811 ± 0.079)	55 ± 2 (2.165 ± 0.079)	85 ± 2 (3.346 ± 0.079)
Length L ₅	31 ± 2 (1.220 ± 0.079)	51 ± 2 (2.008 ± 0.079)	81 ± 2 (3.189 ± 0.079)
Length L ₆	36 (1.417)	56 (2.205)	86 (3.386)

ORDERING INFORMATION

TA 020080	8 KV _p	100 pF	± 20 %	R 7
MODEL	RATED VOLTAGE	CAPACITANCE VALUE	TOLERANCE	CERAMIC



T. 020030				
CERAMIC	CAPACITANCE VALUE [pF]	RATED VOLTAGE [KV _P]	RATED POWER* [KVA _r]	RATED CURRENT [A _{RMS}]
R 7	10	3	3.5	6
	16			
	20			
R 16	25	8	4.2	6
	40			
R 42	50	8	4.2	6
	60			
	80			
	100			
R 85	120	8	4.2	6
	160			
	200			
	250	7		
	300			
	400			

T. 020050				
CERAMIC	CAPACITANCE VALUE [pF]	RATED VOLTAGE [KV _P]	RATED POWER* [KVA _r]	RATED CURRENT [A _{RMS}]
R 7	20	8	5.6	6
	25			
R 16	40			
	50			
	60			
R 42	80			
	100			
	160			
R 85	200	8	7.0	6
	250			
	300			
	400			
	600			

T. 020080				
CERAMIC	CAPACITANCE VALUE [pF]	RATED VOLTAGE [KV _P]	RATED POWER* [KVA _r]	RATED CURRENT [A _{RMS}]
R 7	40	8	8.5	7
	60			
R 16	80			
	100			
	120			
	160			
R 42	200	8	10.5	7
	250			
	300			
R 85	400	8	10.5	7
	500			
	600			
	1000			
	1200	7		

CAPACITANCE TOLERANCES: ± 20 %, ± 10 %, ± 5 %

Other capacitance values and tolerances are available on request



Disclaimer

All product specifications and data are subject to change without notice.

Vishay Intertechnology, Inc., its affiliates, agents, and employees, and all persons acting on its or their behalf (collectively, "Vishay"), disclaim any and all liability for any errors, inaccuracies or incompleteness contained herein or in any other disclosure relating to any product.

Vishay disclaims any and all liability arising out of the use or application of any product described herein or of any information provided herein to the maximum extent permitted by law. The product specifications do not expand or otherwise modify Vishay's terms and conditions of purchase, including but not limited to the warranty expressed therein, which apply to these products.

No license, express or implied, by estoppel or otherwise, to any intellectual property rights is granted by this document or by any conduct of Vishay.

The products shown herein are not designed for use in medical, life-saving, or life-sustaining applications unless otherwise expressly indicated. Customers using or selling Vishay products not expressly indicated for use in such applications do so entirely at their own risk and agree to fully indemnify Vishay for any damages arising or resulting from such use or sale. Please contact authorized Vishay personnel to obtain written terms and conditions regarding products designed for such applications.

Product names and markings noted herein may be trademarks of their respective owners.