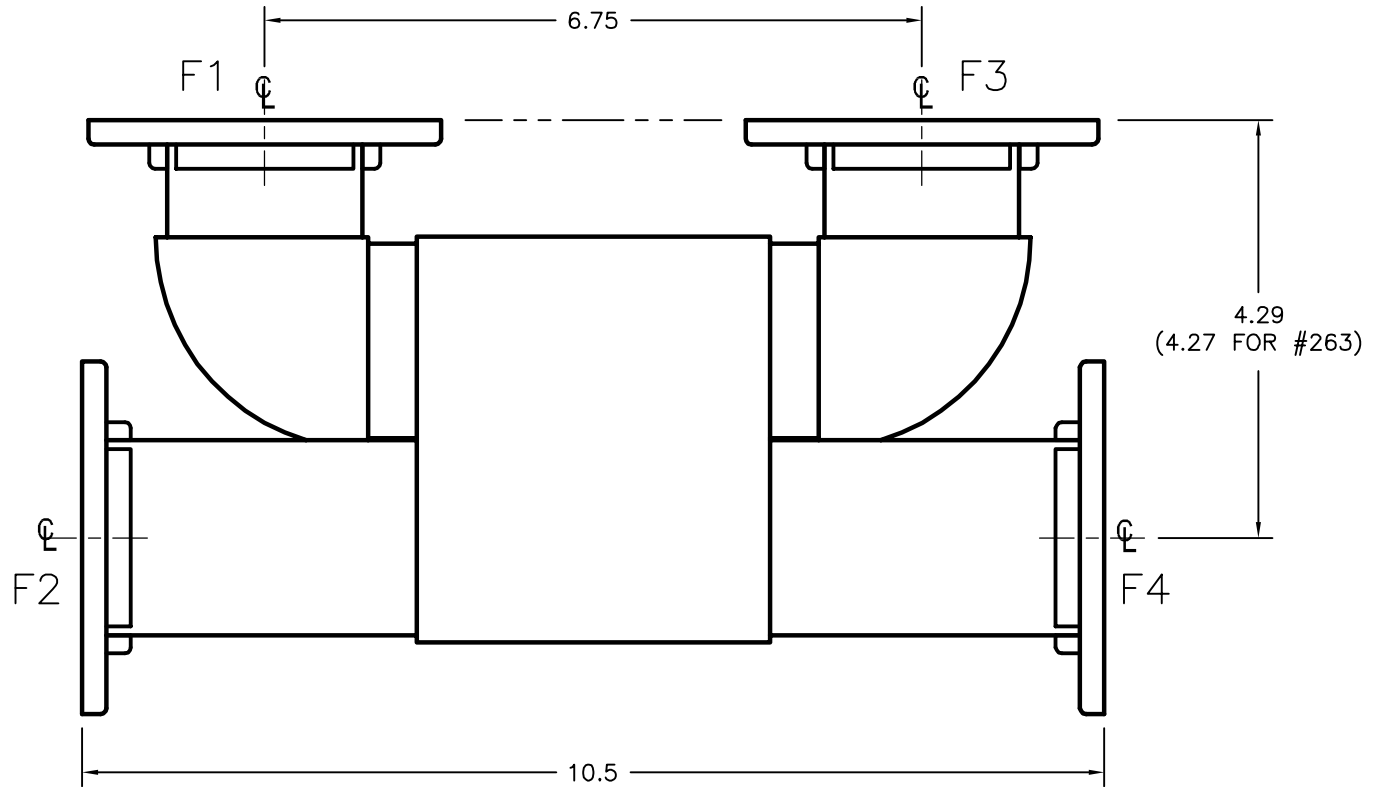


REV A	AUTH JLE	DATE 10/16/02	INITIAL RELEASE
REV B	AUTH RL	DATE 2/26/04	IRIDITE & ATM STD. GRAY WERE "AFTER ASSY." - 264 ADDED.
REV C	AUTH RL	DATE 10/30/06	MODEL-'264' REMOVED. ILLUSTRATION, NOTES, FORMAT UPDATED.



FLANGE TYPE
1 = CPRG
2 = CPRF
3 = CMR
6 = UG COVER
7 = UG CHOKE
8 = UG COVER/GROOVE

FREQUENCY	MODEL
3.95-4.50 GHz	187-261X-Z-F1-F2-F3-F4
4.50-5.20 GHz	187-262X-Z-F1-F2-F3-F4
5.20-5.90 GHz	187-263X-Z-F1-F2-F3-F4

NOTE: REPLACE "F1, F2, F3, & F4" NOTATION WITH NUMBER CORRESPONDING TO FLANGE TYPE DESIRED, AS SHOWN ON TABLE ABOVE.

THIRD ANGLE PROJECTION:		APPROVALS	DATE	ADVANCED TECHNICAL MATERIALS, INC. TEL: (631) 289-0363 FAX: (631) 289-0358 www.atmmicrowave.com	<small>THE INFORMATION IN THIS DRAWING IS PROPRIETARY AND SHALL NOT BE USED OR DISCLOSED WITHOUT THE PRIOR WRITTEN CONSENT OF ATMI, INC. DO NOT SCALE DWG.</small>
UNLESS OTHERWISE NOTED, DIMENSIONS ARE IN INCHES, TOLERANCES ARE: FRACTIONS: $\pm 1/64$ ANGLES: $\pm 1/2^\circ$		DRAWN JLE	10/16/02		
BASIC DIMENSION	DECIMALS 2 PLACE 3 PLACE	APRVD.	OUTLINE, WR187 'Z'-STYLE COMBINER-DIVIDER (HYBRID-COUP.)		
UNDER 6"	$\pm .02$ $\pm .005$	MATERIAL PER ORDER			
6" - 12"	$\pm .03$ $\pm .010$	TREATMENT -			
OVER 12"	$\pm .06$ $\pm .015$	FINISH ATM STD. GRAY			
SIZE A	CAGE CODE 0R8N4	ATM DWG # 5228W	REVISION C		
SCALE 1 : 2	MODEL # SEE NOTES	SHEET 1/1			