

Low Pass Filter for Cable Modem Applications

EPB5112G



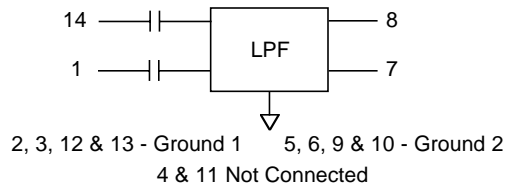
- Optimized to work with BCM3300 •
- Integrated LPF designed to work with •
Broadcom BCM 3300, 3137 and 3210
- Robust construction allows for IR/VP processes •

Electrical Parameters @ 25° C

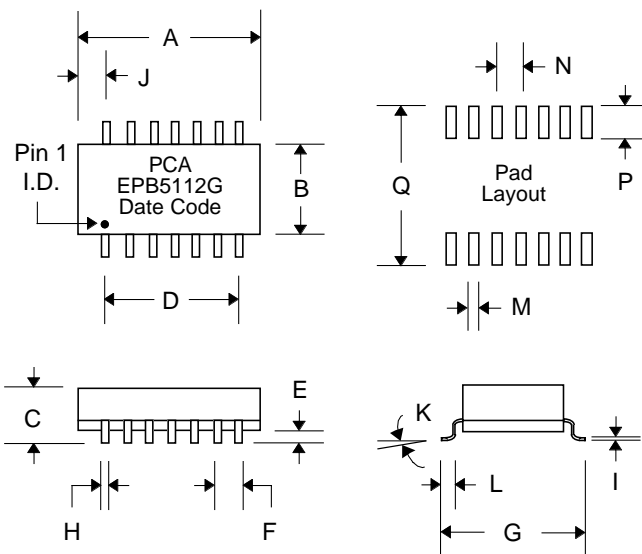
Cut-off Frequency (MHz)	Insertion Loss (dB Max.)	Return Loss (dB Min.)	Attenuation (dB Min.)		Group Delay (nS Max.)
			@ 160 MHz	200 - 300 MHz	
± 3.0 MHz	1 MHz - 60 MHz	1 MHz - 60 MHz	-40	-30	@ 60 MHz
65	-1.5	-15	-40	-30	30

- Characteristics Filter Impedance : 150Ω •

Schematic



Package



Dimensions

Dim.	(Inches)			(Millimeters)		
	Min.	Max.	Nom.	Min.	Max.	Nom.
A	.740	.760	.750	18.79	19.30	19.05
B	.260	.280	.270	6.60	7.11	6.86
C	.190	.210	.200	4.82	5.33	5.08
D	---	---	.600	---	---	15.24
E	.010	.020	.015	.254	.508	.381
F	---	---	.100	---	---	2.54
G	.390	.410	.400	9.91	10.41	10.2
H	.016	.020	.018	.406	.508	.457
I	.008	.012	.010	.203	.304	.254
J	.070	.080	.075	1.78	.203	1.91
K	0°	8°	---	0°	8°	---
L	.030	.050	.040	.762	1.27	1.02
M	---	---	.030	---	---	.762
N	---	---	.100	---	---	2.54
P	---	---	.085	---	---	2.16
Q	---	---	.450	---	---	11.43