

Low Pass Filter for Cable Modem Applications

EPB5128G



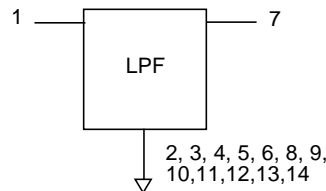
- Integrated LPF designed to work with •
Broadcom BCM3033, 3137 and 3210
- Robust construction allows for IR/VP processes •
- Available in SMD, DIP and DIL Packages •

Electrical Parameters @ 25° C

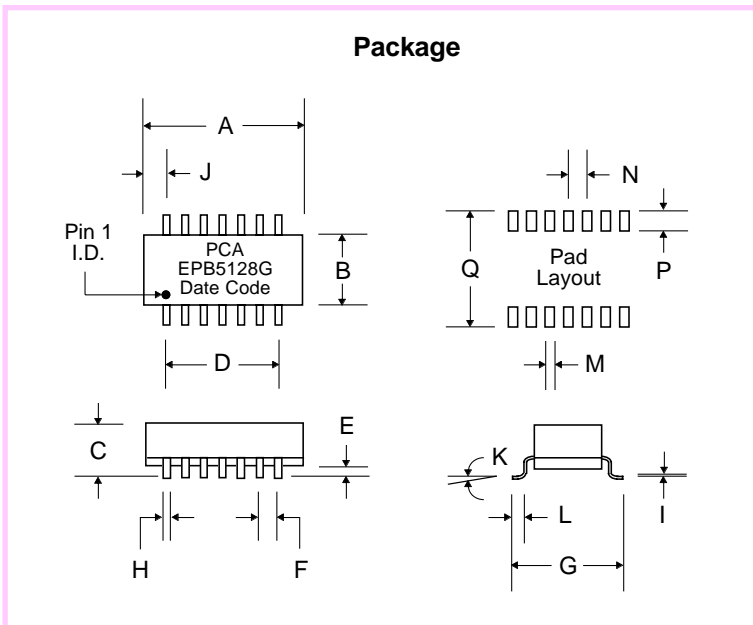
Cut-off Frequency (MHz)	Insertion Loss (dB Max.)	Return Loss (dB Min.)	Attenuation (dB Min.)				
			@ 70 MHz	@ 100 MHz	@ 150 MHz	@ 200 MHz	@ 300-500 MHz
± 2.0 MHz	5-50 MHz	5-50 MHz	-10	-35	-40	-45	-40
59.5	-1	-15	-10	-35	-40	-45	-40

• Characteristic Filter Impedance : 75 Ω •

Schematic



Package



Dimensions

Dim.	(Inches)			(Millimeters)		
	Min.	Max.	Nom.	Min.	Max.	Nom.
A	.740	.760	.750	18.79	19.3	19.05
B	.260	.280	.270	6.60	7.11	6.86
C	.190	.210	.200	4.82	5.33	5.08
D	---	---	.600	---	---	15.24
E	.010	.020	.015	.254	.508	.381
F	---	---	.100	---	---	2.54
G	.390	.410	.400	9.91	10.41	10.16
H	.016	.020	.018	.406	.508	.457
I	.008	.012	.010	.203	.304	.254
J	.070	.080	.075	1.78	2.03	1.91
K	0°	8°	---	0°	8°	---
L	.030	.050	.040	.762	1.27	1.02
M	---	---	.030	---	---	.762
N	---	---	.100	---	---	2.54
P	---	---	.085	---	---	2.16
Q	---	---	.450	---	---	11.43