

GC118...F

BAR CLAMP FOR HOCKEY PUK DEVICES

Clamping total thickness of assembly from
21mm to 125mm

Pre-loaded to the specific clamping
force (22 ÷ 32 kN)

Maximum device diameter: 105mm

Surface passivation to provide extra protection

Hexagon head bolt partially

threaded M8x1.25, UNI5737, 8.8 steel

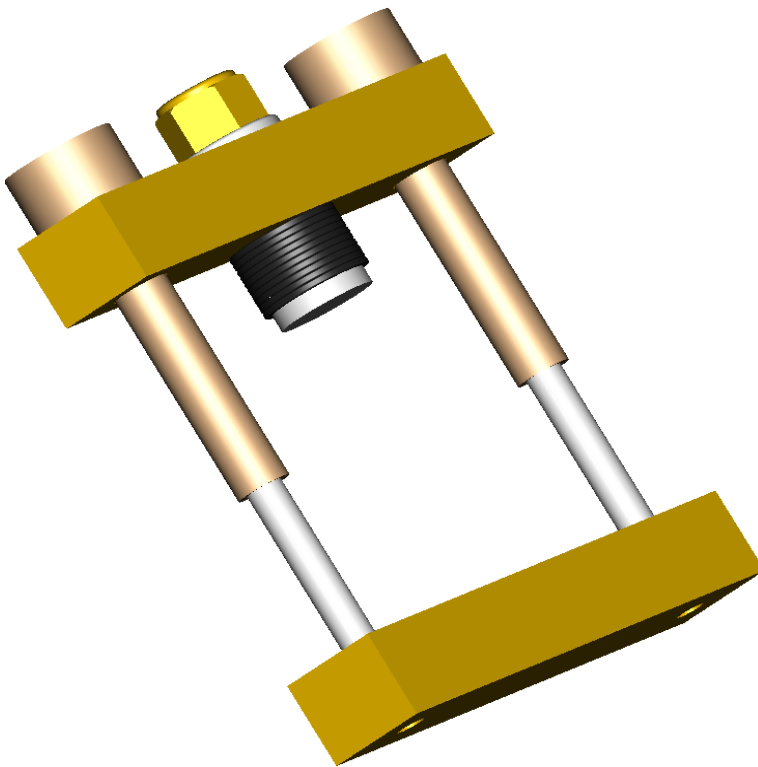
Various lengths of bolts and insulators

Flat clamping head for optimal clamping
force application

Four styles available

User friendly clamping force indicator

UL94 certified insulation material



Parameter	Unit	Types	Testing conditions	Notes	Values			
					Min	Typ	Max	
Weight	g	GC118S...F			930		1030	
		GC118B...F			1750		1870	
Clamping Force*	kN	GC118...22F				22		
		GC118...24F				24		
		GC118...30F					30	
		GC118...32F					32	
Clamping Force tolerance						± 10%		
Insulation Voltage	V _{RMS}		1 min			3000		
Insulating Material				Noryl ® **				
UL File				E121562				
Max. working temperature	°C				-30		110	
Creepage distance:	mm					28		
Clearance distance:	mm					20.3		
Storage temperature	°C				-40		110	
Flammability	mm			UL94 V-1 Flame class rating		1.5		
	mm			UL94 V-0 Flame class rating		8.00		
	mm			CSA Flammability		1.00		

* Other clamping forces available: contact factory

** Noryl ® is a registered trade mark of General Electric

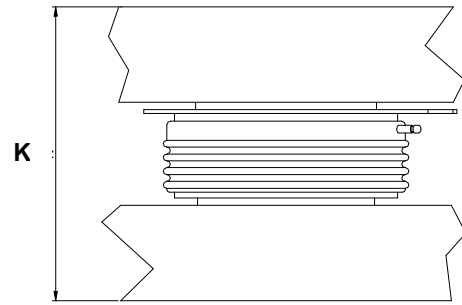


ORDERING INFORMATION TABLE

Clamps can be ordered using the following part numbering system

GC118	B	N	B	A	24	F	S
(1)	(2)	(3)	(4)	(5)	(6)		

(1) Construction type:	B = with double bar
	S = with single bar
(2) Insulator position:	N = upper side
	R = lower side
(3) Insulator code:	see table below
(4) Bolt code:	see table below
(5) Clamping force (in kN):	22
	24
	30
	32
(6) Special accessories	blank = no accessories
	S = extra bar spacer


K: Total thickness of the assembly to be clamped

 For thicknesses $S'_{Min} < K < S_{Min}$ an additional 4mm thick bar spacer is needed (see list of special accessories)

Type GC118BN...F: suggested insulator/bolt types

Allowed clearance S			Insulator choice		Bolt choice		Max height
S' Min [mm]**	S Min [mm]	S Max [mm]	(3)	Ins. Length [mm]	(4)	Bolt Length [mm]	T [mm]
21	25	40	A	50	Z	100	117
31	35	50	B	70	A	110	127
41	45	60	B	70	B	120	137
51	55	70	C	95	C	130	147
61	65	80	C	95	D	140	157
71	75	90	C	95	E	150	167
81	85	100	D	120	F	160	177

** with additional metal spacer only

Type GC118BR...F: suggested insulator/bolt types

Allowed clearance S			Insulator choice		Bolt choice		Max height
S' Min [mm]**	S Min [mm]	S Max [mm]	(3)	Ins. Length [mm]	(4)	Bolt Length [mm]	T [mm]
21	25	40	A	50 ***	Z	100	129
31	35	50	A	50	A	110	139
41	45	60	A	50	B	120	149
51	55	70	B	70	C	130	159
61	65	80	B	70	D	140	169
71	75	90	C	95	E	150	179
81	85	100	C	95	F	160	189

** with additional metal spacer only

 *** For S_{Max}
Type GC118SN...F: suggested insulator/bolt types

Allowed clearance S			Insulator choice		Bolt choice		Max height
S' Min [mm]**	S Min [mm]	S Max [mm]	(3)	Ins. Length [mm]	(4)	Bolt Length [mm]	T [mm]
21	25	40	A	50	Z	100	110
31	35	50	B	70	A	110	120
41	45	60	B	70	B	120	130
51	55	70	C	95	C	130	140
61	65	80	C	95	D	140	150
71	75	90	C	95	E	150	160
81	85	100	D	120	F	160	170

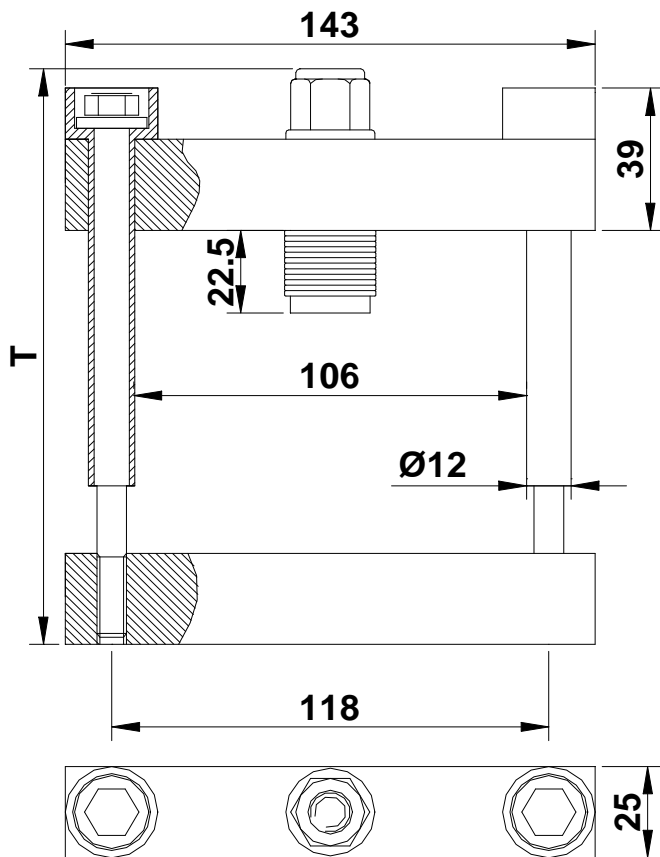
** with additional metal spacer only

Type GC118SR...F: suggested insulator/bolt types

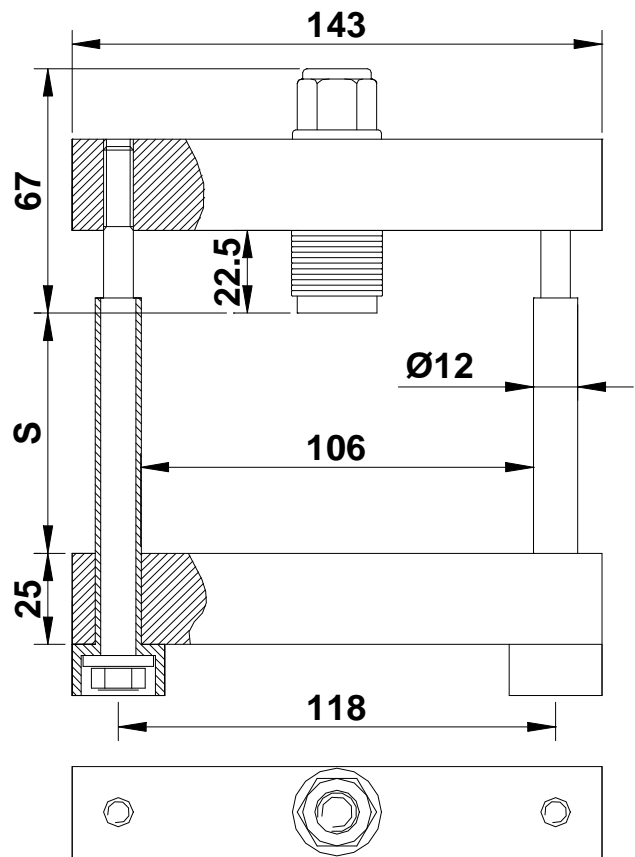
Allowed clearance S			Insulator choice		Bolt choice		Max height
S' Min [mm]**	S Min [mm]	S Max [mm]	(3)	Ins. Length [mm]	(4)	Bolt Length [mm]	T [mm]
46	50	65	B	70	Z	100	129
56	60	75	B	70	A	110	139
66	70	85	B	70	B	120	149
76	80	95	C	95	C	130	159
86	90	105	C	95	D	140	169
96	100	115	D	120	E	150	179
106	110	125	D	120	F	160	189

** with additional metal spacer only

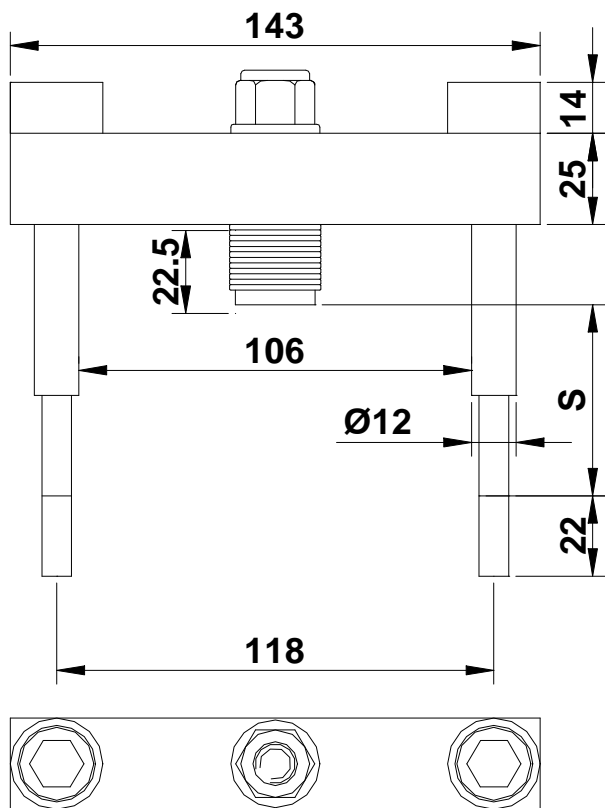
BAR CLAMP OUTLINES



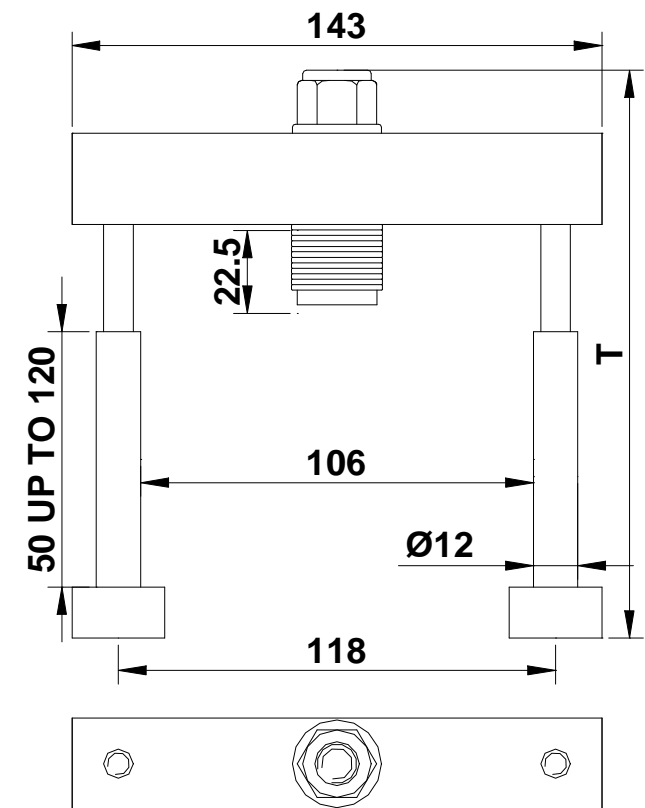
GC118BN...F



GC118BR...F

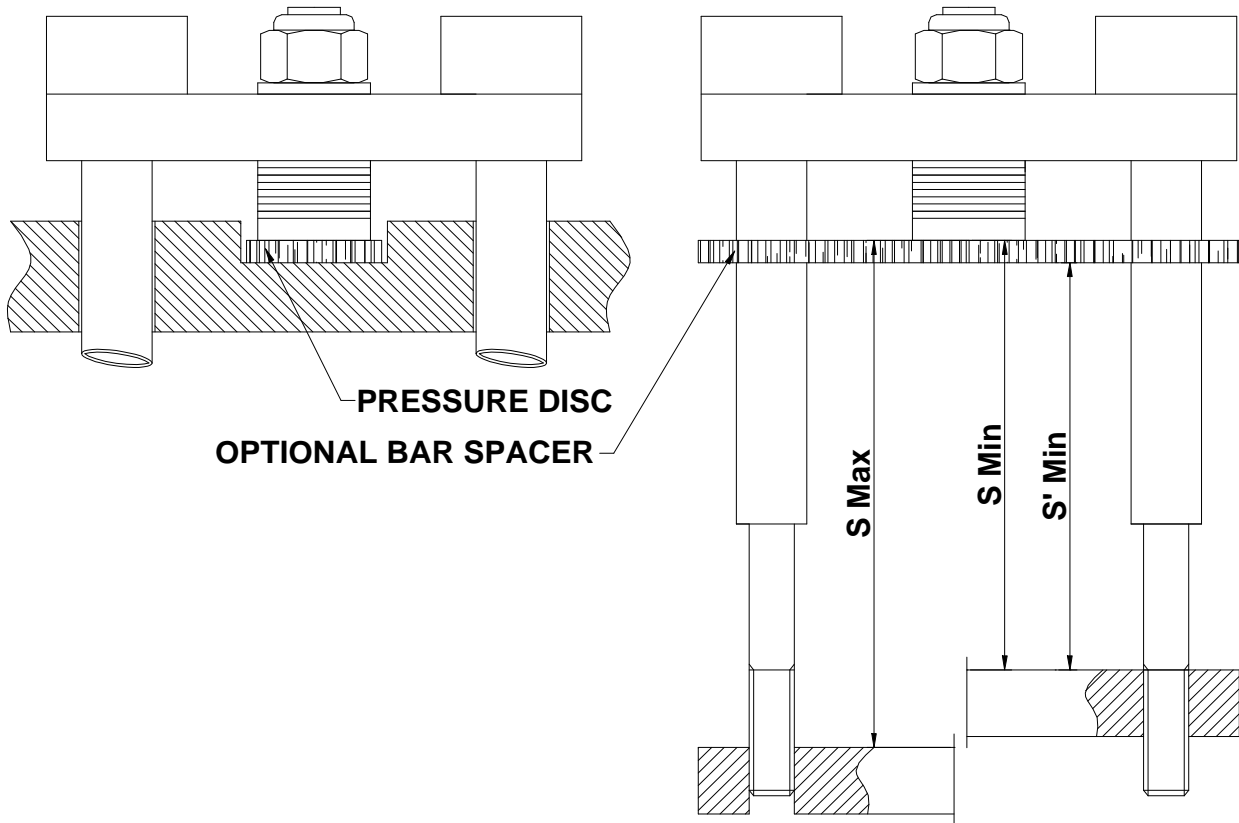


GC118SN...F



GC118SR...F

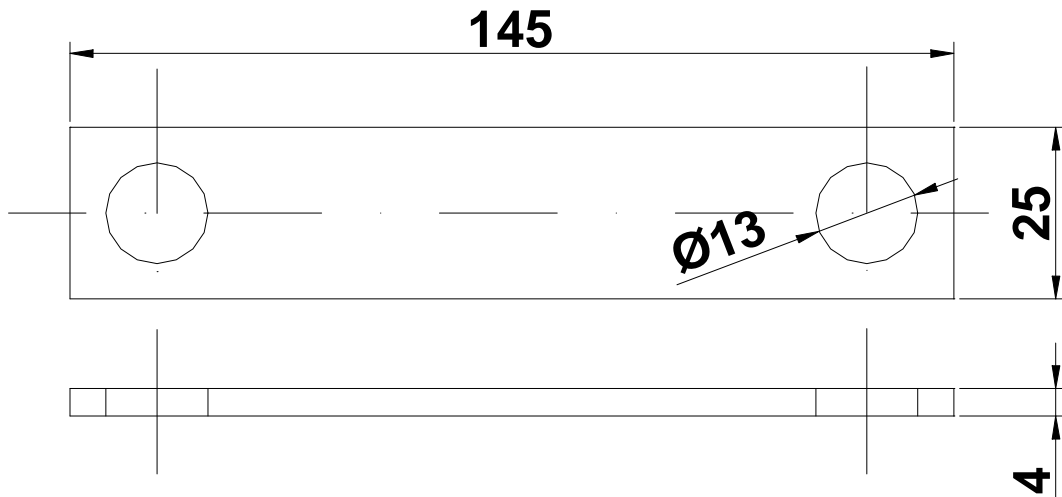
Dimensions in mm - Tolerances according to ISO 2768 MK



SPECIAL ACCESSORIES

The following special accessories are available on request (see ordering information table)

Bar spacer



Dimensions in mm - Tolerances according to ISO 2768 MK

In the interest of product improvement Green Power Solutions reserves the right to change any specification given in this data sheet without notice.