

GOXX0005

FAN DETECTION BOARD

(DETECTS THE ABSENCE
OF FAN CURRENT)

LINE VOLTAGE UP TO 230V
FAN CURRENT UP TO 6A
NO/NC OUTPUT SWITCH

The GOXX0003 detects the absence of current circulating in the fan. This can be used for ventilation fault signal generation in power semiconductor assembly

Characteristic		Conditions	Value
I _{LOAD} (RMS)	Maximum fan current		6 A
V (RMS)	Maximum voltage (fan side)		230 V
V _{INS} (RMS)	Insulation voltage		2000 V

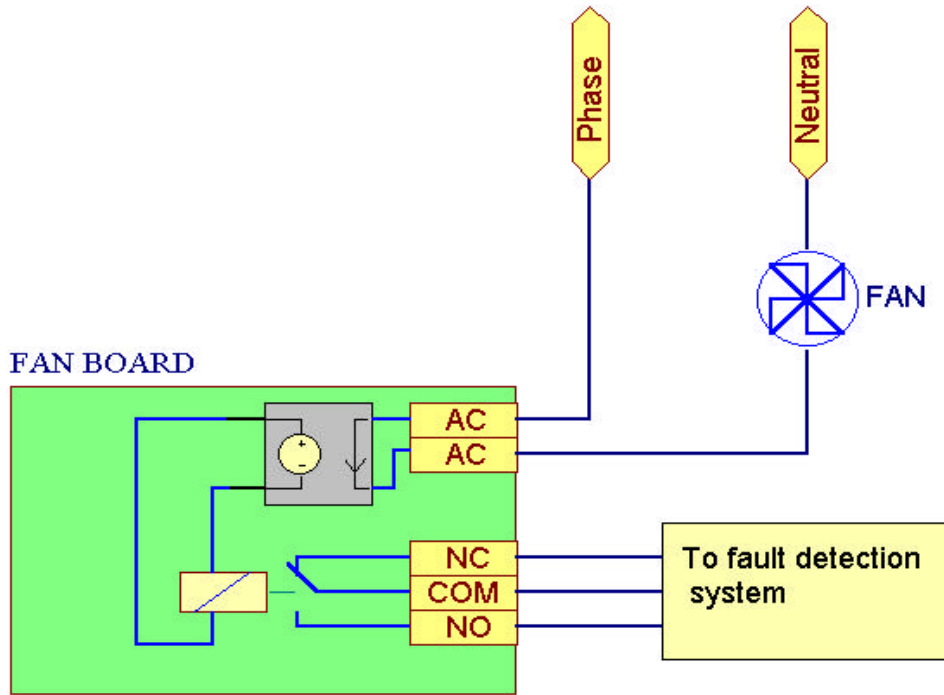
RELAY CONTACT CHARACTERISTICS

V _{MAX} (DC)	Maximum voltage (across contact)		30 V
I _{MAX} (DC)	Maximum current (through contact)		2 A
	Expected electrical life	Number of operations	10 ⁵
	Expected mechanical life	Number of operations	10 ⁸

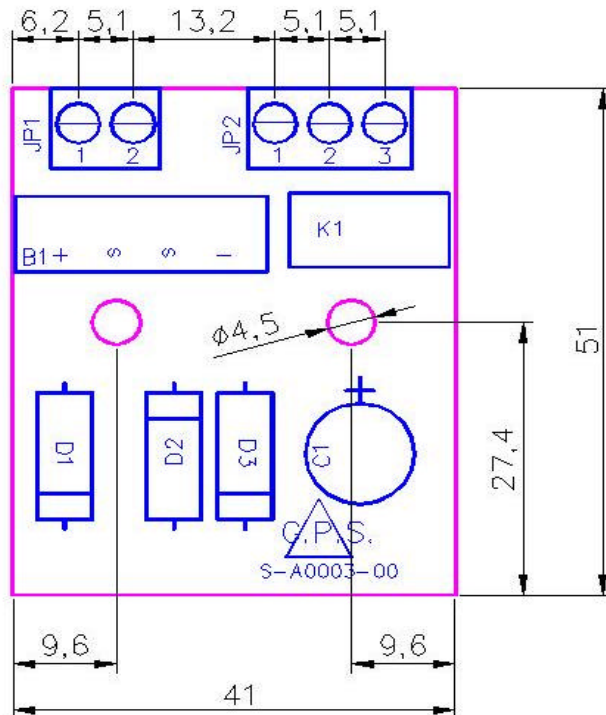
MECHANICAL AND THERMAL CHARACTERISTICS

	Width		40 mm
	Depth		50 mm
	Height		25 mm
W	Weight		21 g
	Standoff hole diameter		4.5 mm
	Max allowed wire gauge	16 AWG	1.5 mm ²
T _a max	Max amb. op. Temp.		40 °C
T _{stg}	Storage temperature		-40/60 °C

FUNCTIONAL SCHEMATIC



MECHANICAL DRAWING



LEGEND	
Terminal	Function
JP 1-1	AC
JP 1-2	AC
JP 2-1	NC
JP 2-2	COM
JP 2-3	NO

Drawing not to scale
All dimensions in mm

In the interest of product improvement Green Power Solutions reserves the right to change any specification given in this data sheet without notice.