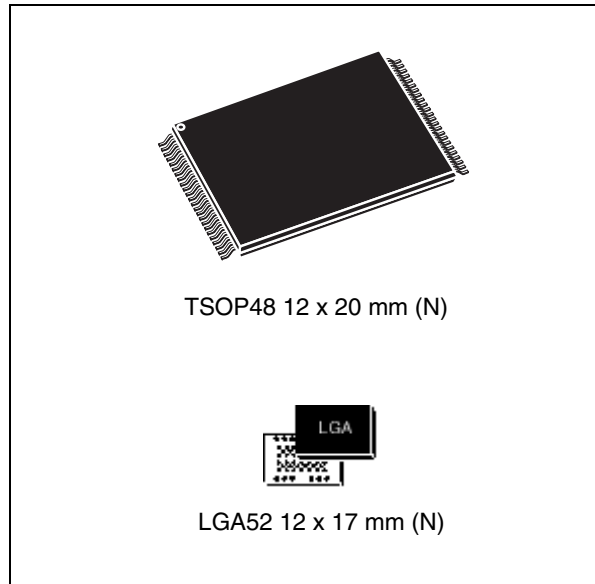


8 or 16 Gbit, 2112 byte page,
3 V supply, multilevel, multiplane, NAND Flash memory

Target Specification

Features

- High density multilevel cell (MLC) Flash memory
 - Up to 16 Gbit memory array
 - Up to 512 Mbit spare area
 - Cost-effective solutions for mass storage applications
- NAND interface
 - x8 bus width
 - Multiplexed address/data
- Supply voltage: $V_{DD} = 2.7$ to 3.6 V
- Page size: (2048 + 64 spare) bytes
- Block size: (256K + 8K spare) bytes
- Multiplane architecture
 - Array split into two independent planes
 - Program/erase operations can be performed on both planes at the same time
- Memory cell array:
(2 K + 64) bytes x 128 pages x 4096 blocks
- Page read/program
 - Random access: 60 μ s (max)
 - Sequential access: 25 ns (min)
 - Page program operation time: 800 μ s (typ)
- Multipage program time (2 pages): 800 μ s (typ)
- Copy-back program
 - Fast page copy
- Fast block erase
 - Block erase time: 2.5 ms (typ)
- Multiblock erase time (2 blocks): 2.5 ms (typ)
- Status register
- Electronic signature



- Serial number option
- Chip enable 'don't care'
- Data protection
 - Hardware program/erase locked during power transitions
- Development tools
 - Error correction code models
 - Bad block management and wear leveling algorithm
 - HW simulation models
- Data integrity
 - 10,000 program/erase cycles (with ECC)
 - 10 years data retention
- ECOPACK® packages available

Contents

1	Description	7
2	Memory array organization	13
	2.1 Bad blocks	13
3	Signal descriptions	15
	3.1 Inputs/outputs (I/O0-I/O7)	15
	3.2 Address Latch Enable (AL)	15
	3.3 Command Latch Enable (CL)	15
	3.4 Chip Enable (E ₁ , E ₂)	15
	3.5 Read Enable (R)	15
	3.6 Write Enable (W)	15
	3.7 Write Protect (WP)	16
	3.8 Ready/Busy (RB ₁ , RB ₂)	16
	3.9 V _{DD} supply voltage	16
	3.10 V _{SS} ground	16
4	Bus operations	17
	4.1 Command input	17
	4.2 Address input	17
	4.3 Data input	17
	4.4 Data output	17
	4.5 Write protect	18
	4.6 Standby	18
5	Command set	20
6	Device operations	21
	6.1 Read memory array	21
	6.2 Random read	21
	6.3 Page read	21
	6.4 Page program	23

6.5	Sequential input	25
6.6	Random data input	25
6.7	Copy-back program	26
6.8	Multiplane copy-back program	28
6.9	Multiplane page program	29
6.10	Block Erase	30
6.11	Multiplane block erase	31
6.12	Reset	32
6.13	Read Status Register	32
6.13.1	Write protection bit (SR7)	33
6.13.2	P/E/R controller bit (SR6)	33
6.13.3	Error bit (SR0)	33
6.14	Read electronic signature	33
7	Concurrent operations and ERS	36
8	Data protection	37
9	Software algorithms	37
9.1	Bad block management	38
9.2	NAND Flash memory failure modes	38
9.3	Garbage collection	39
9.4	Wear-leveling algorithm	40
9.5	Hardware simulation models	40
9.5.1	Behavioral simulation models	40
9.5.2	IBIS simulations models	40
10	Program and erase times and endurance cycles	41
11	Maximum ratings	42
12	DC and AC parameters	43
12.1	Ready/Busy signal electrical characteristics	54
13	Package mechanical	56

14	Part numbering	58
15	Revision history	59

List of tables

Table 1.	Device summary	8
Table 2.	Signal names	9
Table 3.	Valid blocks.	13
Table 4.	Bus operations	18
Table 5.	Address insertion	19
Table 6.	Address definitions	19
Table 7.	Commands	20
Table 8.	Paired page address information	24
Table 9.	Status Register bits.	32
Table 10.	Device identifier codes	33
Table 11.	Electronic signature	33
Table 12.	Electronic signature byte 3	34
Table 13.	Electronic signature byte 4	35
Table 14.	Electronic signature byte 5	35
Table 15.	Extended Read Status Register commands.	36
Table 16.	Block Failure	38
Table 17.	Program and erase times and program erase endurance cycles	41
Table 18.	Absolute maximum ratings	42
Table 19.	Operating and AC measurement conditions.	43
Table 20.	Capacitance	43
Table 21.	DC characteristics.	44
Table 22.	AC characteristics for command, address, data input	44
Table 23.	AC characteristics for operations	45
Table 24.	TSOP48 - 48 lead plastic thin small outline, 12 x 20 mm, package mechanical data.	56
Table 25.	LGA52 12 x 17 mm, 1 mm pitch, package mechanical data	57
Table 26.	Ordering information scheme	58
Table 27.	Document revision history	59

List of figures

Figure 1.	Logic block diagram	8
Figure 2.	Logic diagram	9
Figure 3.	TSOP48 connections for NAND08GW3C2B	10
Figure 4.	TSOP48 connections for NAND16GW3C4B	11
Figure 5.	ULGA52 connections	12
Figure 6.	Memory array organization	14
Figure 7.	Read operations	22
Figure 8.	Random data output	23
Figure 9.	Page program operation	25
Figure 10.	Random data input during sequential data input	26
Figure 11.	Copy-back Program operation	27
Figure 12.	Copy-back Program operation with random data input	27
Figure 13.	Multiplane Copy-back Program operation	28
Figure 14.	Multiplane page program	30
Figure 15.	Block Erase operation	31
Figure 16.	Multiplane block erase operation	31
Figure 17.	Data protection	37
Figure 18.	Bad block management flowchart	39
Figure 19.	Garbage collection	39
Figure 20.	Command latch AC waveforms	46
Figure 21.	Address latch AC waveforms	46
Figure 22.	Data input latch AC waveforms	47
Figure 23.	Sequential data output after Read AC waveforms	47
Figure 24.	Sequential data output after Read AC waveforms (EDO mode)	48
Figure 25.	Read Status Register AC waveform	48
Figure 26.	Read electronic signature AC waveform	49
Figure 27.	Page read operation AC waveform	50
Figure 28.	Page program AC waveform	51
Figure 29.	Block erase AC waveform	52
Figure 30.	Reset AC waveform	52
Figure 31.	Program/erase enable waveform	53
Figure 32.	Program/erase disable waveform	53
Figure 33.	Ready/Busy AC waveform	54
Figure 34.	Ready/Busy load circuit	54
Figure 35.	Resistor value versus waveform timings for Ready/Busy signal	55
Figure 36.	TSOP48 - 48 lead plastic thin small outline, 12 x 20 mm, package outline	56
Figure 37.	LGA52 12 x 17 mm, 1 mm pitch, package outline	57

1 Description

The NAND08GW3C2B and NAND16GW3C4B are multilevel cell (MLC) devices from the NAND Flash 21 12-byte page family of non-volatile Flash memories. The NAND08GW3C2B and the NAND16GW3C4B have a density of 8- and 16-Gbit, respectively. The NAND16GW3C4B is composed of two 8-Gbit dice; each die can be accessed independently using two Chip Enable and two Ready/Busy signals. The devices operate from a 3 V VDD power supply.

The address lines are multiplexed with the data input/output signals on a multiplexed x8 input/output bus. This interface reduces the pin count and makes it possible to migrate to other densities without changing the footprint.

Each block can be programmed and erased over 10,000 cycles (with error correction code (ECC) on). The device also has hardware security features; a write protect pin is available to provide hardware protection against program and erase operations.

The devices feature an open-drain, ready/busy output that identifies if the Program/Erase/Read (P/E/R) Controller is currently active. The use of an open-drain output allows the ready/busy pins of several memories to be connected to a single pull-up resistor.

The memory array is split into 2 planes of 2048 blocks each. This multiplane architecture makes it possible to program 2 pages at a time (one in each plane) or to erase 2 blocks at a time (one in each plane), dividing by two the average program and erase times.

The devices have the Chip Enable 'don't care' feature, which allows code to be directly downloaded by a microcontroller, as Chip Enable transitions during the latency time do not stop the Read operation.

There is the option of a unique identifier (serial number), which allows the NAND08GW3C2B and the NAND16GW3C4B to be uniquely identified. It is subject to an NDA (non-disclosure agreement) and is, therefore, not described in the datasheet. For more details of this option contact your nearest Numonyx sales office.

The devices are available in TSOP48 (12 × 20 mm) and LGA52 (12 × 17 × 0.65 mm) packages. They are shipped from the factory with block 0 always valid and the memory content bits, in valid blocks, erased to '1'.

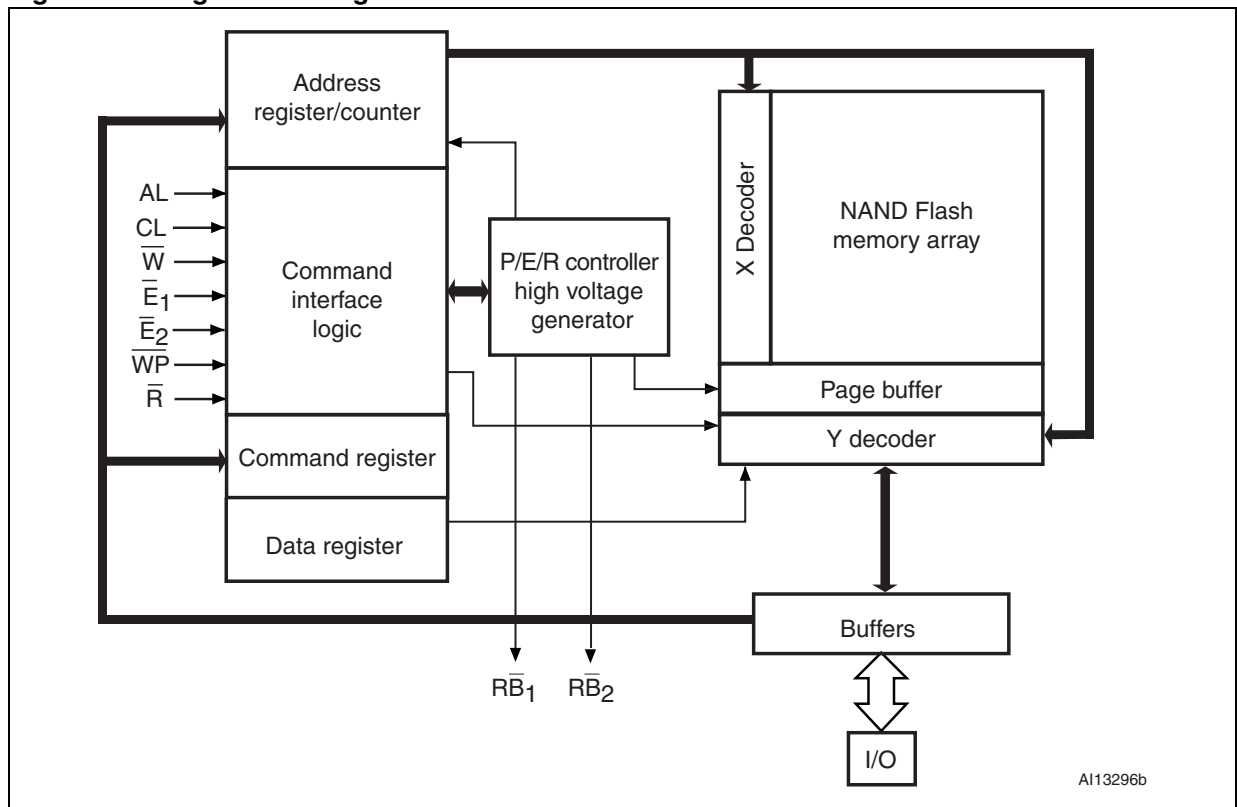
Refer to the list of available part numbers and to [Table 26: Ordering information scheme](#) for information on how to order these options.

Table 1. Device summary

Part number	Density	Bus width	Page size	Block size	Memory array	Operating voltage (V _{DD})	Timings				Package
							Random access time (max)	Sequential access time (min)	Page program (typ)	Block erase (typ)	
NAND08GW3C2B	8 Gb	x8	2048+ 64 bytes	256K + 8 K bytes	128 pages x 4096 blocks	2.7 to 3.6 V	25 ns	60 μs	800 μs	2.5 ms	TSOP48 ULGA52
NAND16GW3C4B ⁽¹⁾	16 Gb				128 pages x 8192 blocks						TSOP48 ULGA52

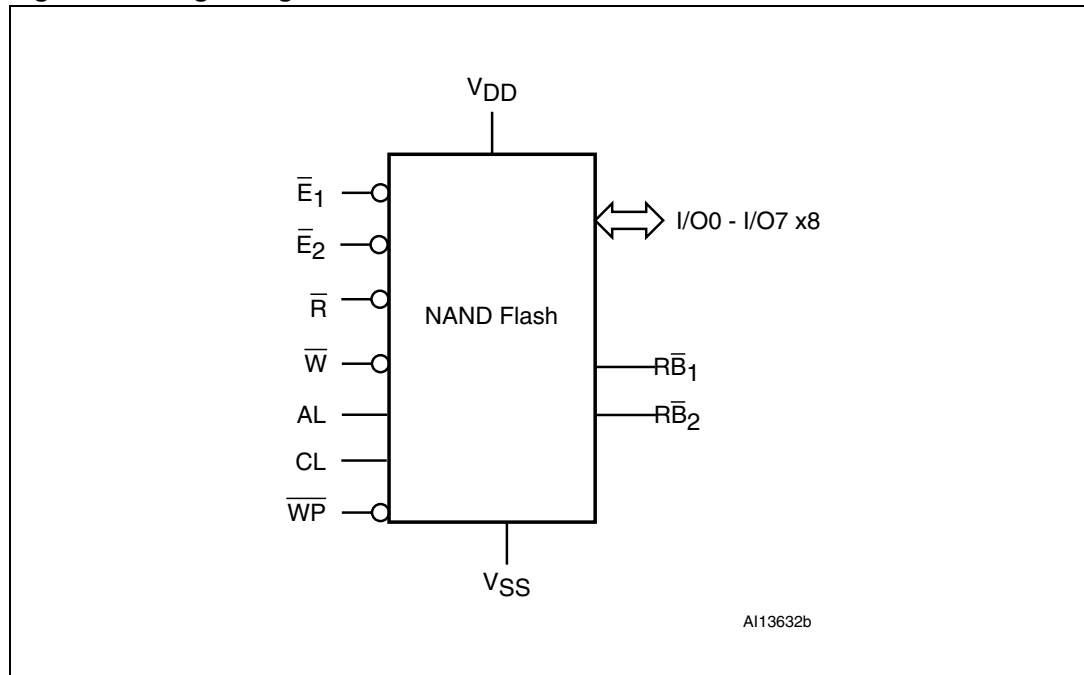
1. The NAND16GW3C4B is composed of two 8-Gbit dice.

Figure 1. Logic block diagram



1. $\bar{E}2$ and $\bar{R}B2$ are only present in the NAND16GW3C4B.

Figure 2. Logic diagram



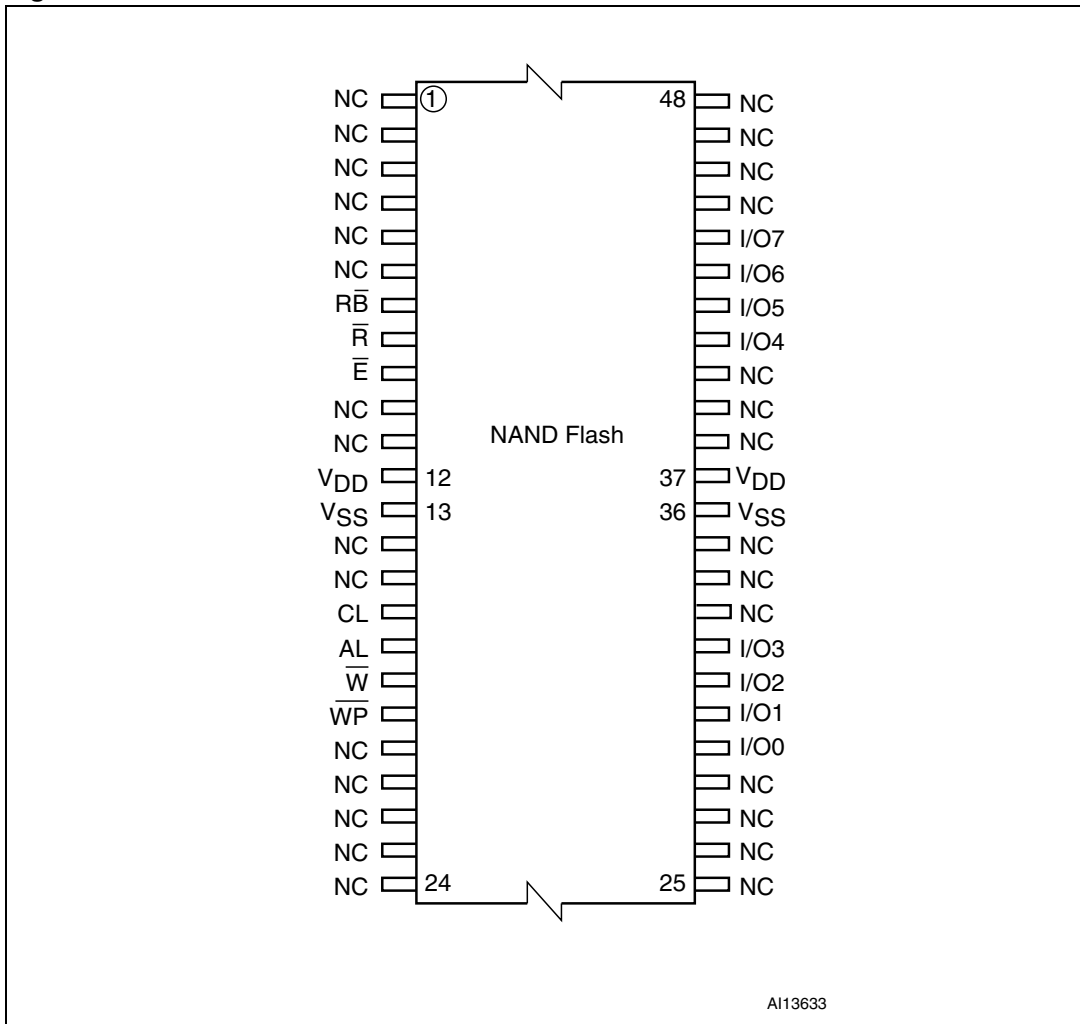
1. E2 and RB2 are only present in the NAND16GW3C4A.

Table 2. Signal names

Signal	Function	Direction
I/O0 - I/O7	Data input/outputs ⁽¹⁾	Input/output
CL	Command Latch Enable	Input
AL	Address Latch Enable	Input
E1-bar, E2-bar	Chip Enable ⁽²⁾	Input
R-bar	Read Enable	Input
W-bar	Write Enable	Input
WP-bar	Write Protect	Input
RB1-bar, RB2-bar	Ready/Busy (open drain output) ⁽²⁾	Output
VDD	Power supply	Power supply
VSS	Ground	Ground
NC	No connection	
DU	Do not use	

1. On the LGA52 package, each 8-Gbit die is accessed and controlled via two sets of I/Os and control signals.
2. E2 and RB2 are only present in the NAND16GW3C4B.

Figure 3. TSOP48 connections for NAND08GW3C2B



AI13633

Figure 4. TSOP48 connections for NAND16GW3C4B

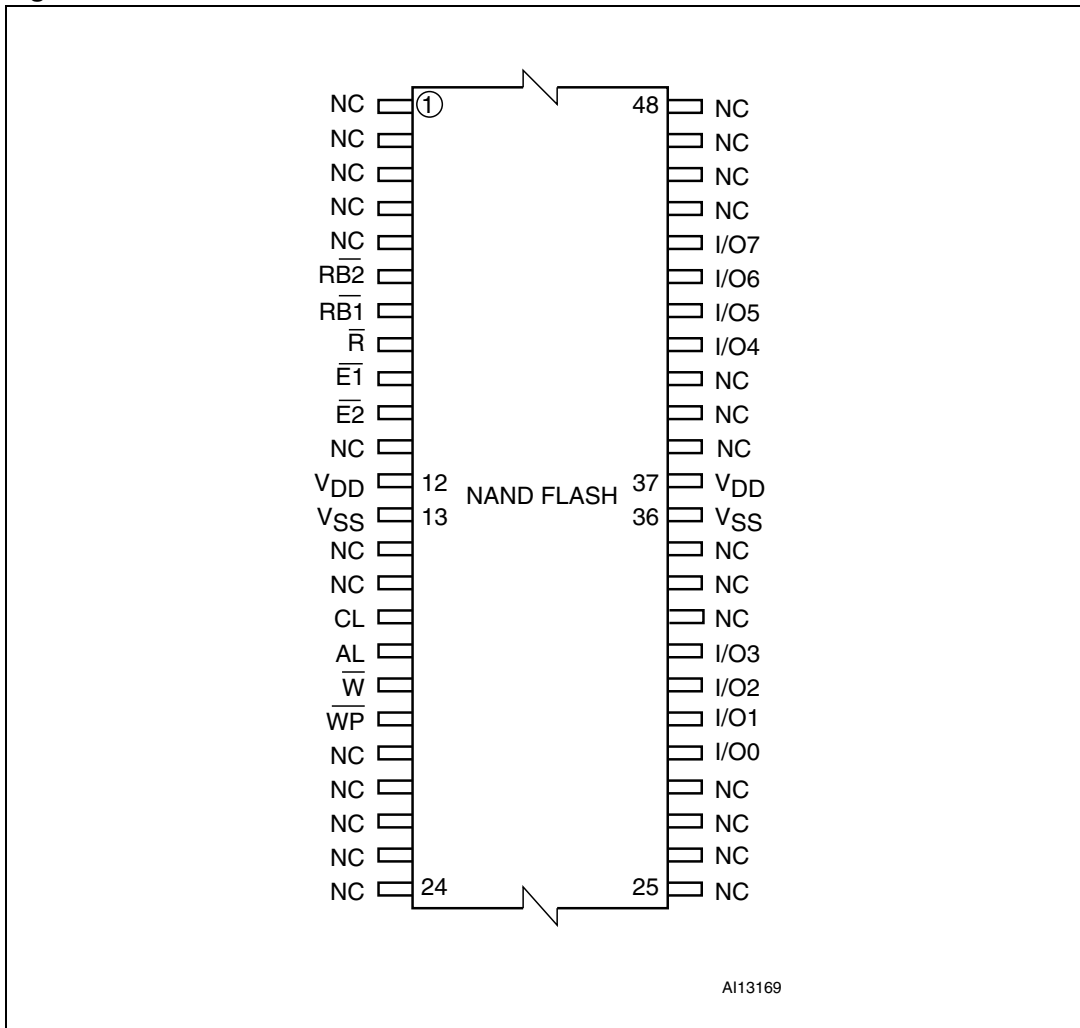
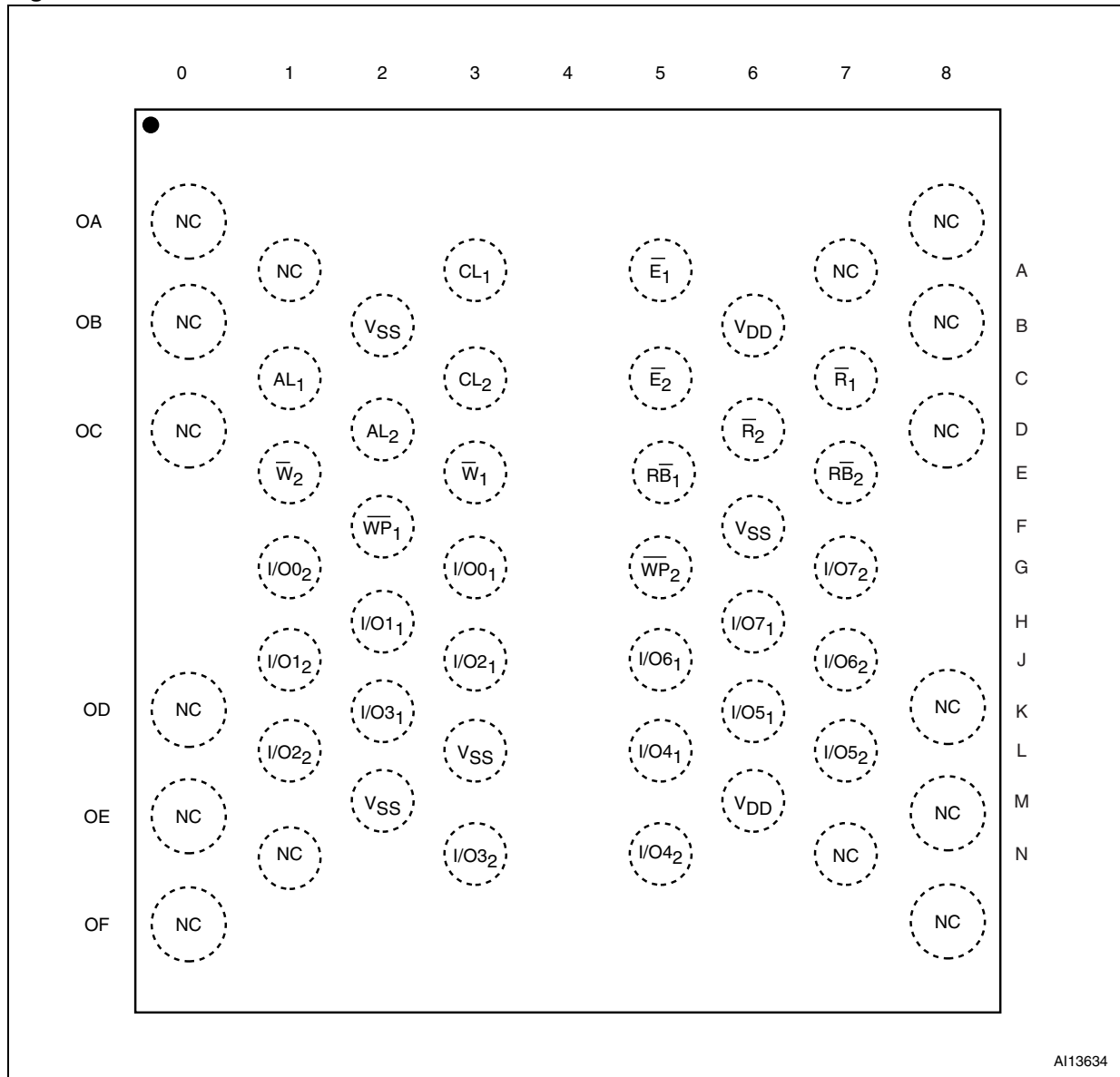


Figure 5. ULGA52 connections



AI13634

1. On the LGA52 package, each 8-Gbit die is accessed and controlled via two sets of signals.

2 Memory array organization

The memory array is comprised of NAND structures where 32 cells are connected in series.

The memory array is organized into blocks where each block contains 128 pages. The array is split into two areas, the main area and the spare area. The main area of the array stores data, whereas the spare area typically stores software flags or bad block identification.

The pages are split into a 2048-byte main area and a spare area of 64 bytes. Refer to [Figure 6: Memory array organization](#).

2.1 Bad blocks

The NAND08GW3C2B and NAND16GW3C4B devices may contain bad blocks, where the reliability of blocks that contain one or more invalid bits is not guaranteed. Additional bad blocks may develop during the lifetime of the device.

The bad block Information is written prior to shipping (refer to [Section 9.1: Bad block management](#) for more details).

[Table 3: Valid blocks](#) shows the minimum number of valid blocks in each device. The values shown include both the bad blocks that are present when the device is shipped and the bad blocks that could develop later on.

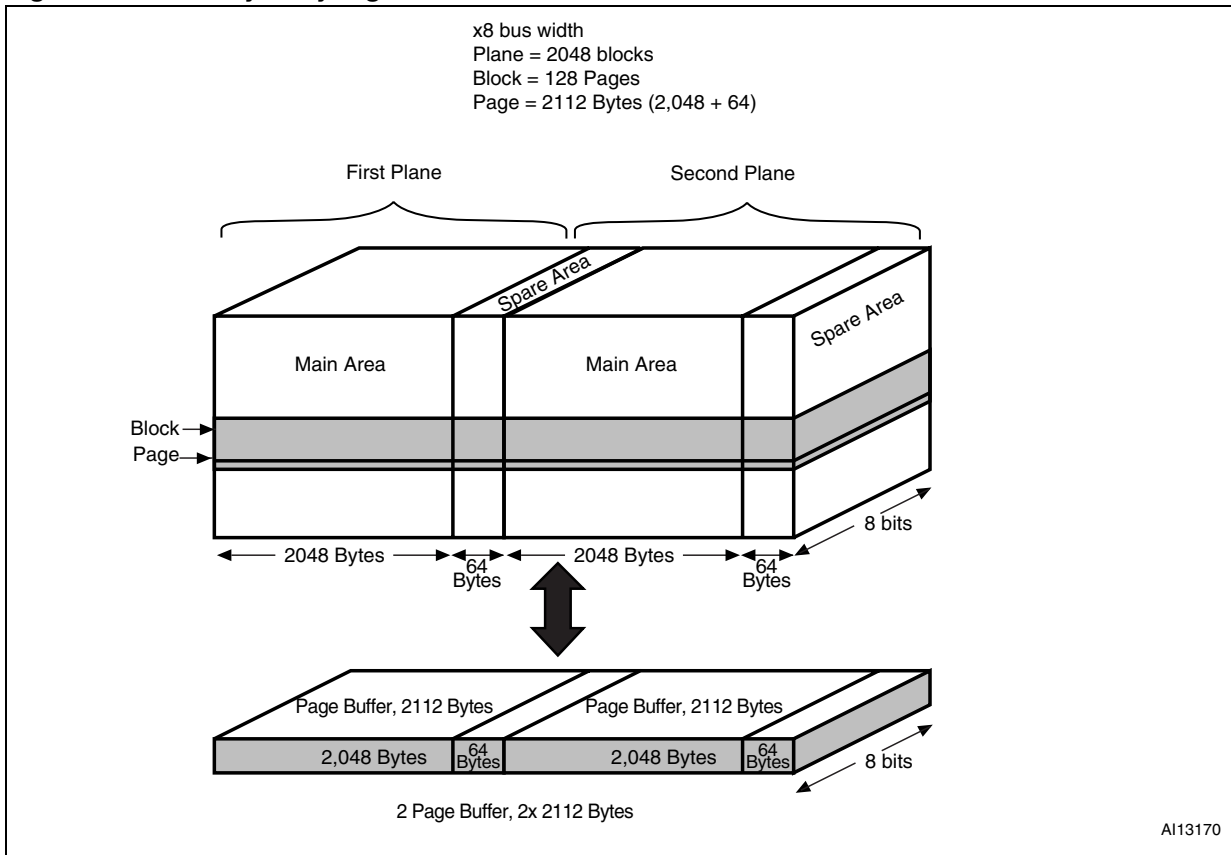
These blocks need to be managed using bad blocks management and block replacement (refer to [Section 9: Software algorithms](#)).

Table 3. Valid blocks⁽¹⁾

Density of device	Minimum	Maximum
8 Gbits	4016	4096
16 Gbits	8032	8192

1. The NAND16GW3C4B is composed of two 8-Gbit dice. The minimum number of valid blocks is 4096 for each die.

Figure 6. Memory array organization



3 Signal descriptions

See [Figure 1: Logic block diagram](#), and [Table 2: Signal names](#) for a brief overview of the signals connected to this device.

3.1 Inputs/outputs (I/O0-I/O7)

Input/outputs 0 to 7 are used to input the selected address, output the data during a read operation, or input a command or data during a write operation. The inputs are latched on the rising edge of Write Enable. I/O0-I/O7 are left floating when the device is deselected or the outputs are disabled.

3.2 Address Latch Enable (AL)

The Address Latch Enable activates the latching of the address inputs in the command interface. When AL is High, the inputs are latched on the rising edge of Write Enable.

3.3 Command Latch Enable (CL)

The Command Latch Enable activates the latching of the command inputs in the command interface. When CL is High, the inputs are latched on the rising edge of Write Enable.

3.4 Chip Enable (\bar{E}_1 , \bar{E}_2)

The Chip Enable input activates the memory control logic, input buffers, decoders and sense amplifiers. When Chip Enable is Low, V_{IL} , the device is selected. If Chip Enable goes High, v_{IH} , while the device is busy, the device remains selected and does not go into standby mode.

\bar{E}_2 is only available on the NAND16GW3C4B.

3.5 Read Enable (\bar{R})

The Read Enable pin, \bar{R} , controls the sequential data output during read operations. Data is valid t_{RLQV} after the falling edge of \bar{R} . The falling edge of \bar{R} also increments the internal column address counter by one.

3.6 Write Enable (\bar{W})

The Write Enable input, \bar{W} , controls writing to the command interface, input address, and data latches. Both addresses and data are latched on the rising edge of Write Enable.

During power-up and power-down a recovery time of 10 μ s (min) is required before the command interface is ready to accept a command. It is recommended to keep Write Enable High during the recovery time.

3.7 Write Protect ($\overline{\text{WP}}$)

The Write Protect pin is an input that gives a hardware protection against unwanted Program or Erase operations. When Write Protect is Low, V_{IL} , the device does not accept any Program or Erase operations.

It is recommended to keep the Write Protect pin Low, V_{IL} , during power-up and power-down.

3.8 Ready/Busy ($\overline{\text{RB}}_1, \overline{\text{RB}}_2$)

The Ready/Busy output, $\overline{\text{RB}}$, is an open-drain output that can identify if the P/E/R controller is currently active.

When Ready/Busy is Low, V_{OL} , a read, program or erase operation is in progress. When the operation completes, Ready/Busy goes High, V_{OH} .

The use of an open-drain output allows the Ready/Busy pins from several memories to be connected to a single pull-up resistor. A Low indicates that one, or more, of the memories is busy.

During power-up and power-down a minimum recovery time of 10 μs is required before the command interface is ready to accept a command. During this period the Ready/Busy signal is Low, V_{OL} .

$\overline{\text{RB}}_2$ is only available on the NAND16GW3C4B.

Refer to [Section 12.1: Ready/Busy signal electrical characteristics](#) for details on how to calculate the value of the pull-up resistor.

3.9 V_{DD} supply voltage

V_{DD} provides the power supply to the internal core of the memory device. It is the main power supply for operations (read, program and erase).

3.10 V_{SS} ground

Ground, V_{SS} , is the reference for the power supply. It must be connected to the system ground.

4 Bus operations

There are six standard bus operations that control the memory. Each of these is described in this section. See the summary in [Table 4: Bus operations](#).

Typically, glitches of less than 5 ns on Chip Enable, Write Enable and Read Enable are ignored by the memory and do not affect bus operations.

4.1 Command input

Command input bus operations give commands to the memory. Commands are accepted when Chip Enable is Low, Command Latch Enable is High, Address Latch Enable is Low and Read Enable is High. They are latched on the rising edge of the Write Enable signal.

Only I/O0 to I/O7 are used to input commands.

See [Figure 20](#) and [Table 22](#) for details of the timings requirements.

4.2 Address input

Address input bus operations input the memory addresses. Five bus cycles are required to input the addresses (refer to [Table 5: Address insertion](#)).

The addresses are accepted when Chip Enable is Low, Address Latch Enable is High, Command Latch Enable is Low and Read Enable is High. They are latched on the rising edge of the Write Enable signal. Only I/O0 to I/O7 are used to input addresses.

See [Figure 21](#) and [Table 22](#) for details of the timings requirements.

4.3 Data input

Data input bus operations input the data to be programmed. Data is only accepted when Chip Enable is Low, Address Latch Enable is Low, Command Latch Enable is Low and Read Enable is High. The data is latched on the rising edge of the Write Enable signal. The data is input sequentially using the Write Enable signal.

See [Figure 22](#) and [Table 22](#) for details of the timing requirements.

4.4 Data output

Data output bus operations read the data in the memory array, the status register, the electronic signature, and the unique identifier.

Data is output when Chip Enable is Low, Write Enable is High, Address Latch Enable is Low, and Command Latch Enable is Low.

The data is output sequentially using the Read Enable signal.

If the Read Enable pulse frequency is lower than 33 MHz (t_{RLRL} higher than 30 ns), the output data is latched on the rising edge of Read Enable signal (see [Figure 23](#)).

For higher frequencies (t_{RLRL} lower than 30 ns), the extended data out (EDO) mode must be considered. In this mode, data output is valid on the input/output bus for a time of t_{RLQX} after the falling edge of Read Enable signal (see [Figure 24](#)).

See [Table 23](#) for details on the timings requirements.

4.5 Write protect

Write protect bus operations protect the memory against program or erase operations. When the Write Protect signal is Low the device does not accept program or erase operations, therefore, the contents of the memory array cannot be altered. The Write Protect signal is not latched by Write Enable to ensure protection, even during power-up.

4.6 Standby

The memory enters standby mode by holding Chip Enable, \bar{E} , High for at least 10 μ s. In standby mode, the device is deselected, outputs are disabled and power consumption is reduced.

Table 4. Bus operations

Bus operation	\bar{E}	AL	CL	\bar{R}	\bar{W}	\bar{WP}	I/O0 - I/O7
Command input	V_{IL}	V_{IL}	V_{IH}	V_{IH}	Rising	$X^{(1)}$	Command
Address input	V_{IL}	V_{IH}	V_{IL}	V_{IH}	Rising	X	Address
Data input	V_{IL}	V_{IL}	V_{IL}	V_{IH}	Rising	V_{IH}	Data input
Data output	V_{IL}	V_{IL}	V_{IL}	Falling	V_{IH}	X	Data output
Write protect	X	X	X	X	X	V_{IL}	X
Standby	V_{IH}	X	X	X	X	V_{IL}/V_{DD}	X

1. \bar{WP} must be V_{IH} when issuing a program or erase command.

Table 5. Address insertion⁽¹⁾

Bus cycle	I/O7	I/O6	I/O5	I/O4	I/O3	I/O2	I/O1	I/O0
1 st	A7	A6	A5	A4	A3	A2	A1	A0
2 nd	V _{IL}	V _{IL}	V _{IL}	V _{IL}	A11	A10	A9	A8
3 rd	A19	A18	A17	A16	A15	A14	A13	A12
4 th	A27	A26	A25	A24	A23	A22	A21	A20
5 th	V _{IL}	V _{IL}	V _{IL}	V _{IL}	A31 ⁽²⁾	A30	A29	A28

1. Any additional address input cycles are ignored.
2. A31 is valid only for the NAND16GW3C4B.

Table 6. Address definitions

Address	Definition
A0 - A11	Column address
A12 - A18	Page address
A19 - A31	Block address

5 Command set

All bus write operations to the device are interpreted by the command interface. The commands are input on I/O0-I/O7 and are latched on the rising edge of Write Enable when the Command Latch Enable signal is High. Device operations are selected by writing specific commands to the Command Register. The two-step command sequences for Program and Erase operations are imposed to maximize data security.

The commands are summarized in [Table 7: Commands](#).

Table 7. Commands

Command	Bus write operations ⁽¹⁾				Commands accepted during busy
	1 st cycle	2 nd cycle	3 rd cycle	4 th cycle	
Page Read	00h	30h			
Read for copy-back	00h	35h			
Read ID	90h				
Reset	FFh				Yes
Page Program	80h	10h			
Multiplane Page Program	80h	11h	81h	10h	
Copy-back Program	85h	10h			
Multiplane Copy Back Program	85h	11h	81h	10h	
Block Erase	60h	D0h			
Multiplane Block Erase	60h	60h	D0h		
Read Status Register	70h				Yes
Random Data Input	85h				
Random Data Output	05h	E0h			

1. The bus cycles are only shown for issuing the codes. The cycles required to input the addresses or input/output data are not shown.

6 Device operations

This section gives the details of the device operations.

6.1 Read memory array

At power-up the device defaults to read mode. To enter read mode from another mode the Read command must be issued, see [Table 7: Commands](#). Once a read command is issued, subsequent consecutive read commands only require the confirm command code (30h).

Once a read command is issued, two types of operations are available: random read and page read.

6.2 Random read

Each time the Read command is issued, the first read is random-read.

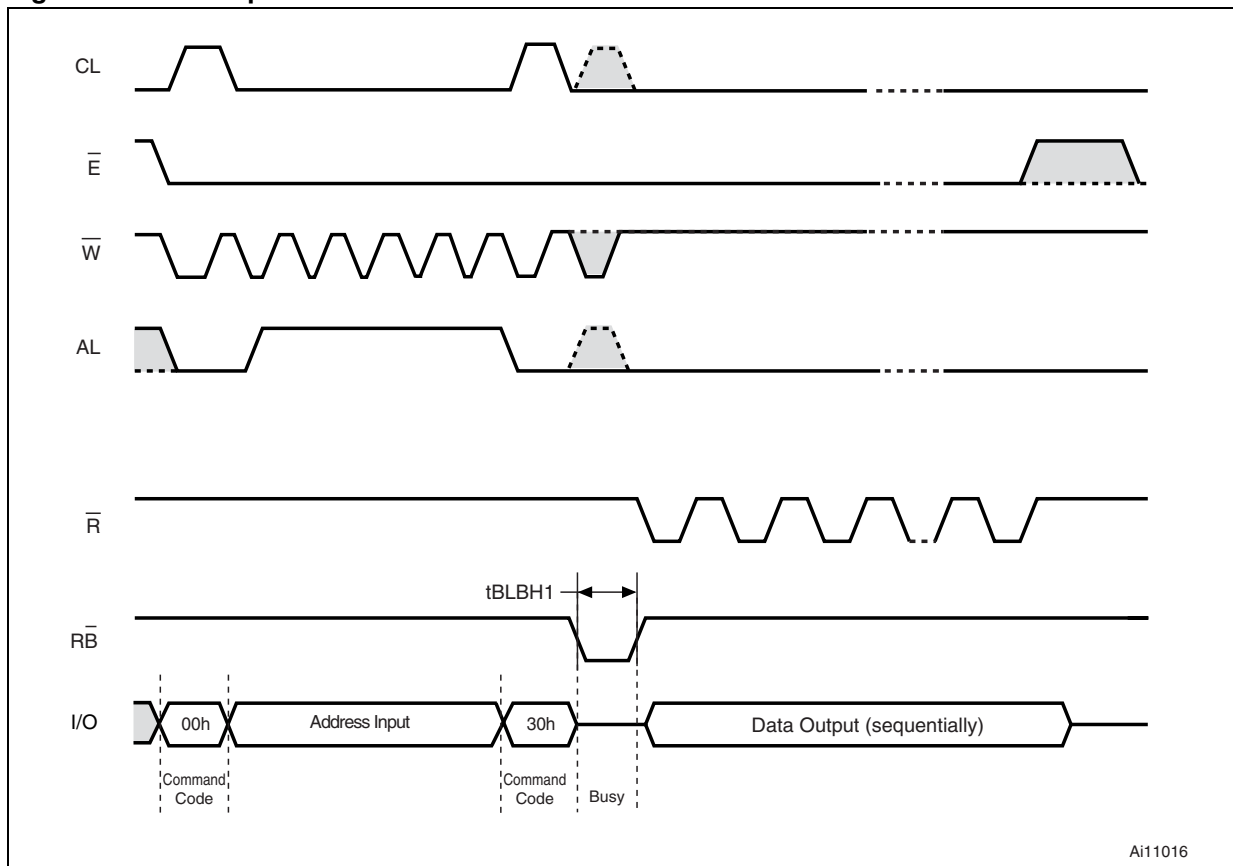
6.3 Page read

After the first random read access, the page data (2112 bytes) is transferred to the page buffer in a time of t_{WHBH} (refer to [Table 23](#) for value). Once the transfer is complete, the Ready/Busy signal goes High. The data can then be read out sequentially (from the selected column address to last column address) by pulsing the Read Enable signal.

The device can output random data in a page, instead of the consecutive sequential data, by issuing a Random Data Output command. The Random Data Output command can be used to skip some data during a sequential data output.

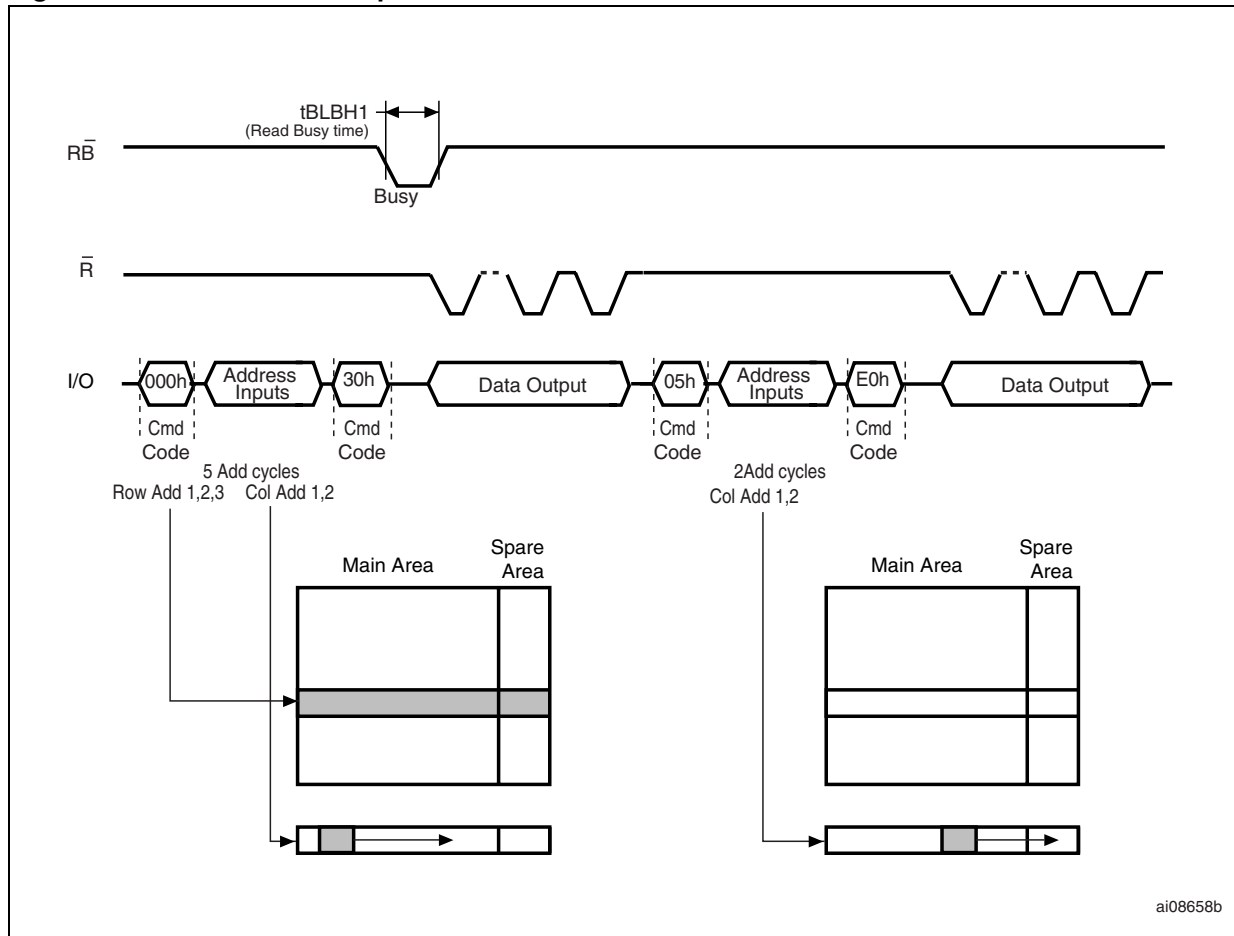
The sequential operation can be resumed by changing the column address of the next data to be output, to the address which follows the Random Data Output command. The Random Data Output command can be issued as many times as required within a page.

Figure 7. Read operations



1. Highest address depends on device density.

Figure 8. Random data output



6.4 Page program

The page program operation is the standard operation to program data to the memory array. Generally, data is programmed sequentially, however, the device does support random input within a page.

The memory array is programmed by page, however, partial page programming is allowed where any number of bytes (1 to 2112) can be programmed.

Only one consecutive partial page program operation is allowed on the same page. After exceeding this a Block Erase command must be issued before any further program operations can take place in that page.

When a program operation is abnormally aborted (such as during a power-down), the page data under program data as well as the paired page data may be damaged (see [Table 8: Paired page address information](#)).

Table 8. Paired page address information

Paired page address		Paired page address	
00h	04h	01h	05h
02h	08h	03h	09h
06h	0Ch	07h	0Dh
0Ah	10h	0Bh	11h
0Eh	14h	0Fh	15h
12h	18h	13h	19h
16h	1Ch	17h	1Dh
1Ah	20h	1Bh	21h
1Eh	24h	1Fh	25h
22h	28h	23h	29h
26h	2Ch	27h	2Dh
2Ah	30h	2Bh	31h
2Eh	34h	2Fh	35h
32h	38h	33h	39h
36h	3Ch	37h	3Dh
3Ah	40h	3Bh	41h
3Eh	44h	3Fh	45h
42h	48h	43h	49h
46h	4Ch	47h	4Dh
4Ah	50h	4Bh	51h
4Eh	54h	4Fh	55h
52h	58h	53h	59h
56h	5Ch	57h	5Dh
5Ah	60h	5Bh	61h
5Eh	64h	5Fh	65h
62h	68h	63h	69h
66h	6Ch	67h	6Dh
6Ah	70h	6Bh	71h
6Eh	74h	6Fh	75h
72h	78h	73h	79h
76h	7Ch	77h	7Dh
7Ah	7Eh	7Bh	7Fh

6.5 Sequential input

To input data sequentially the addresses must be sequential and remain in one block.

For sequential input, each page program operation comprises five steps:

1. One bus cycle is required to set up the Page Program (sequential input) command (see [Table 7](#)).
2. Five bus cycles are then required to input the program address (refer to [Table 5](#)).
3. The data is loaded into the data registers.
4. One bus cycle is required to issue the Page Program Confirm command to start the P/E/R controller. The P/E/R only starts if the data has been loaded in step 3.
5. The P/E/R controller then programs the data into the array.

6.6 Random data input

During a sequential input operation, the next sequential address to be programmed can be replaced by a random address issuing a Random Data Input command. The following two steps are required to issue the command:

1. One bus cycle is required to setup the Random Data Input command (see [Table 7](#)).
2. Two bus cycles are then required to input the new column address (refer to [Table 5](#)).

Random data input operations can be repeated as often as required in any given page.

Once the program operation has started the Status Register can be read using the Read Status Register command. During program operations the status register only flags errors for bits set to '1' that have not been successfully programmed to '0'.

During the program operation, only the Read Status Register and Reset commands are accepted; all other commands are ignored. Once the program operation has completed, the P/E/R controller bit SR6 is set to '1' and the Ready/Busy signal goes High.

The device remains in read Status Register mode until another valid command is written to the command interface.

Figure 9. Page program operation

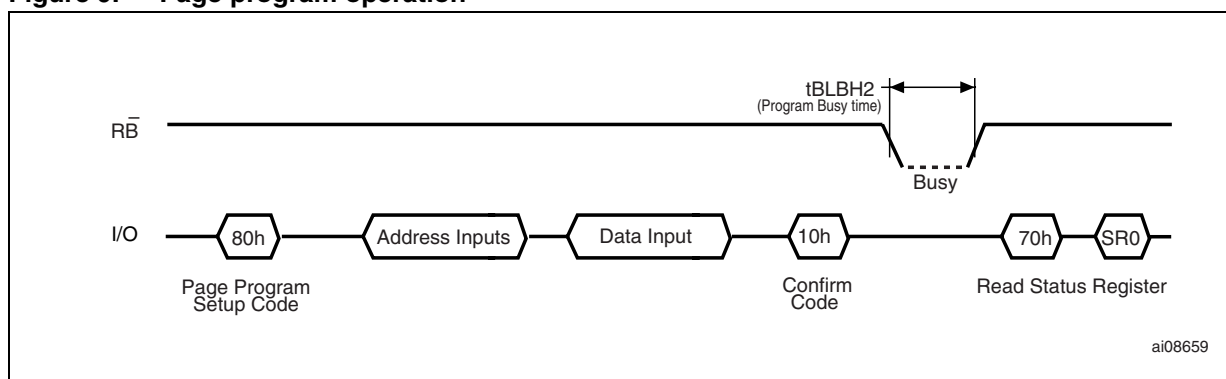
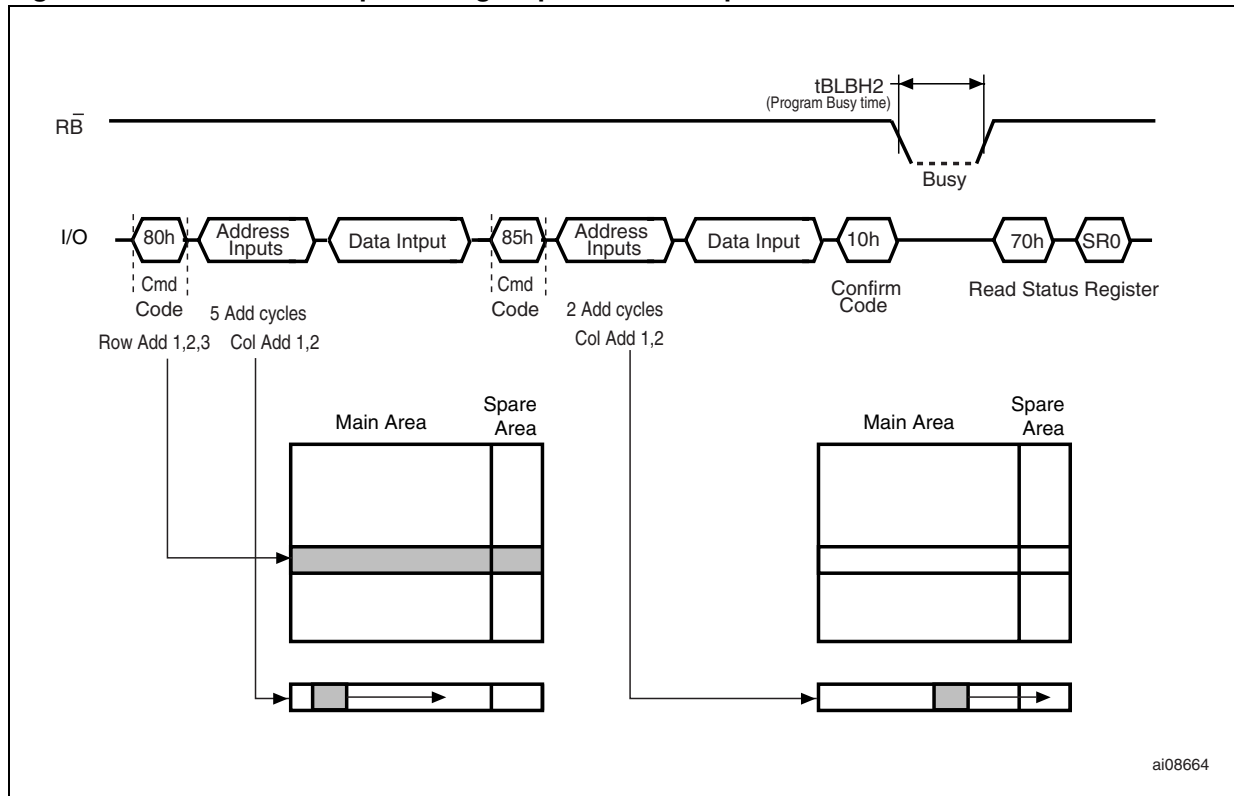


Figure 10. Random data input during sequential data input



6.7 Copy-back program

The copy-back program with read for copy-back operation is configured to quickly and efficiently rewrite data stored in one page without data reloading when the bit error is not in data stored.

Since the time-consuming re-loading cycles are removed, the system performance is improved. The benefit is especially obvious when a portion of a block is updated and the rest of the block also needs to be copied to the newly-assigned free block. The copy-back operation is a sequential execution of read for copy-back and copy-back program with the destination page address. A read operation with a 35h command in the address of the source page moves the entire 2112 bytes into the internal data buffer. A bit error is checked by sequentially reading the data output. In the case where there is no bit error, the data does not need to be reloaded. Therefore, the copy-back program operation is initiated by issuing the Page-Copy Data-Input command (85h) with destination page address.

The actual programming operation begins after the Program Confirm command (10h) is issued. Once the program process starts, the Read Status Register command (70h) may be entered to read the Status Register. The system controller can detect the completion of a program cycle by monitoring the $\overline{RB\#}$ output, or the status bit (I/O 6) of the Status Register. When the copy-back program is complete, the write status bit (I/O 0) may be checked. The Command Register remains in read status command mode until another valid command is written to the command register. During the copy-back program, data modification is possible using random data input command (85h) as shown in [Figure 11](#).

Figure 11. Copy-back Program operation

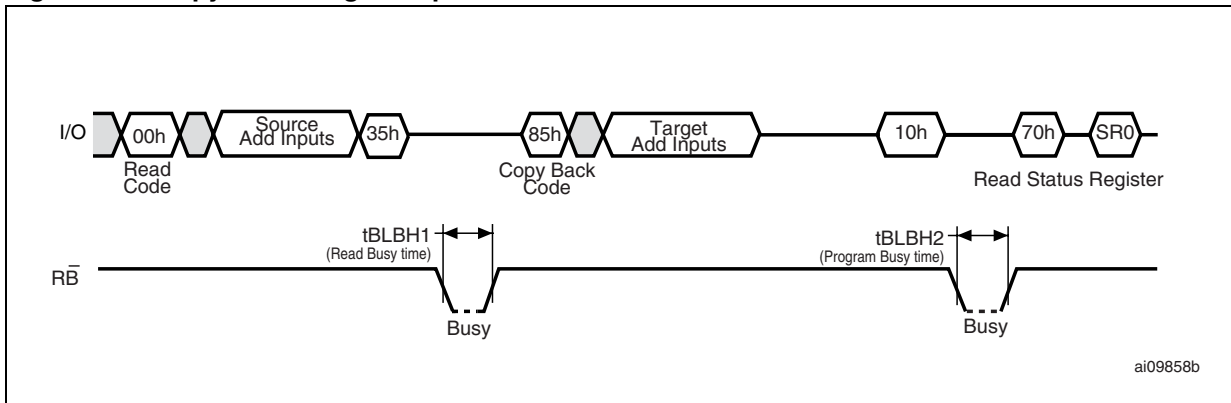
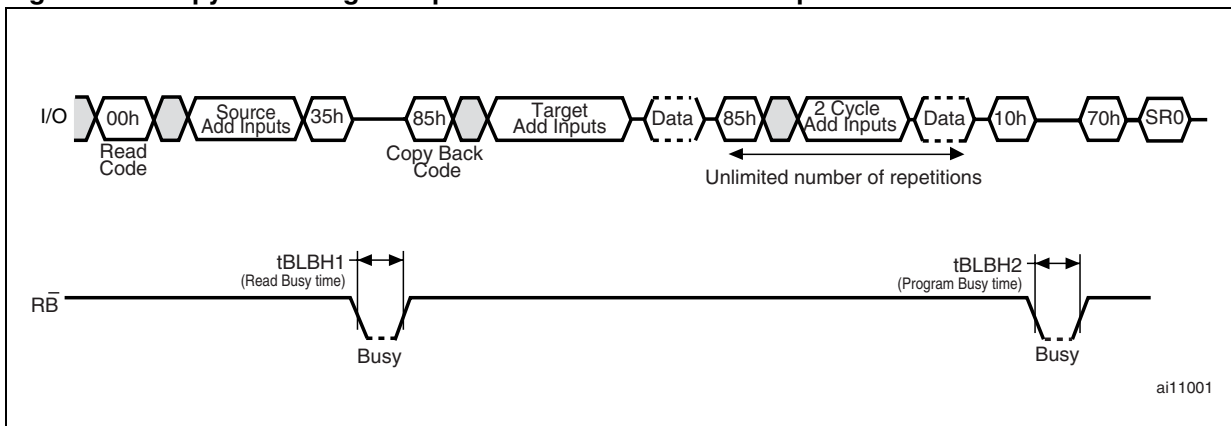


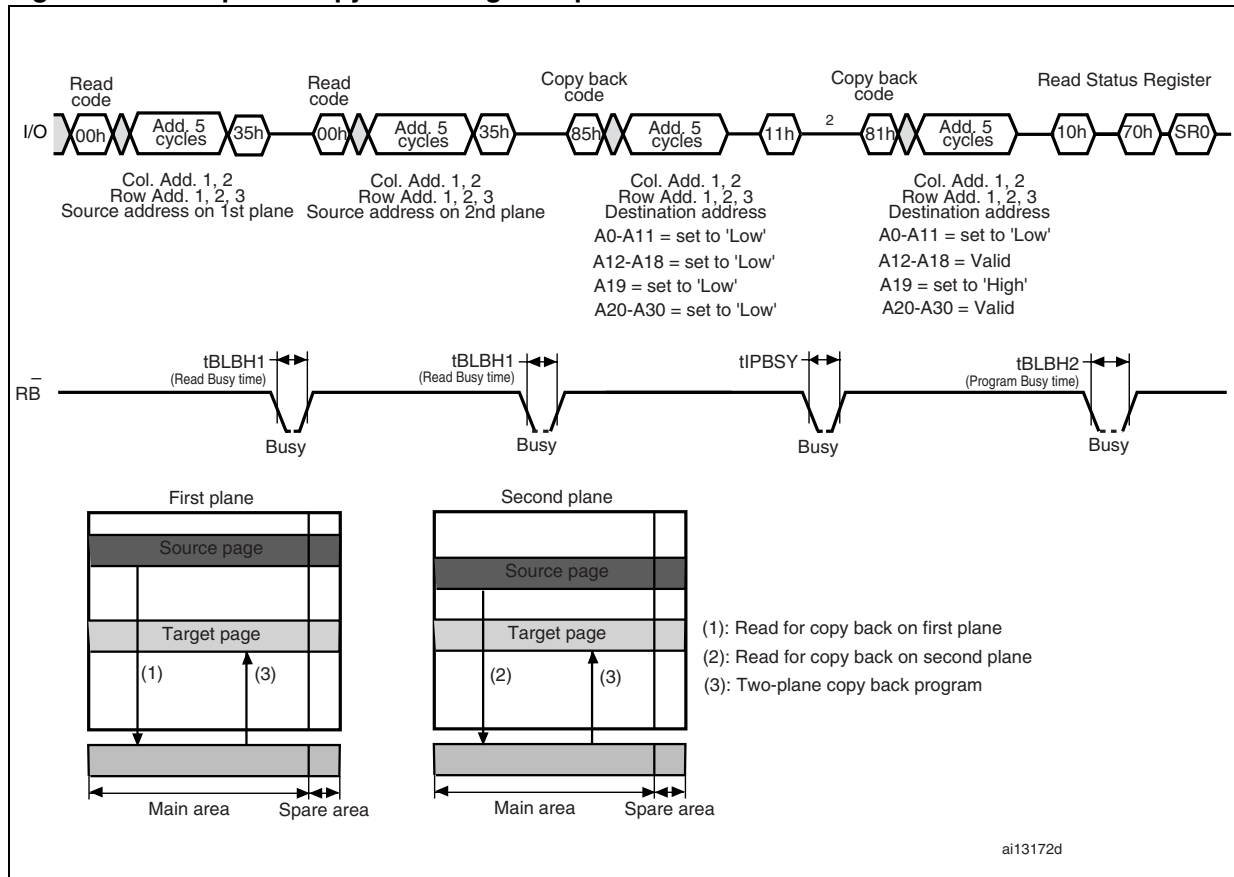
Figure 12. Copy-back Program operation with random data input



6.8 Multiplane copy-back program

The two-plane copy-back program operation is an extension of the copy-back program operation, which is for a single plane with 2112 byte page registers. As the device is equipped with two memory planes, this operation activates the two sets of 2112 bytes.

Figure 13. Multiplane Copy-back Program operation



6.9 Multiplane page program

The devices support multiplane page program, that allows the programming of two pages in parallel, one in each plane.

A multiplane page program operation requires two steps:

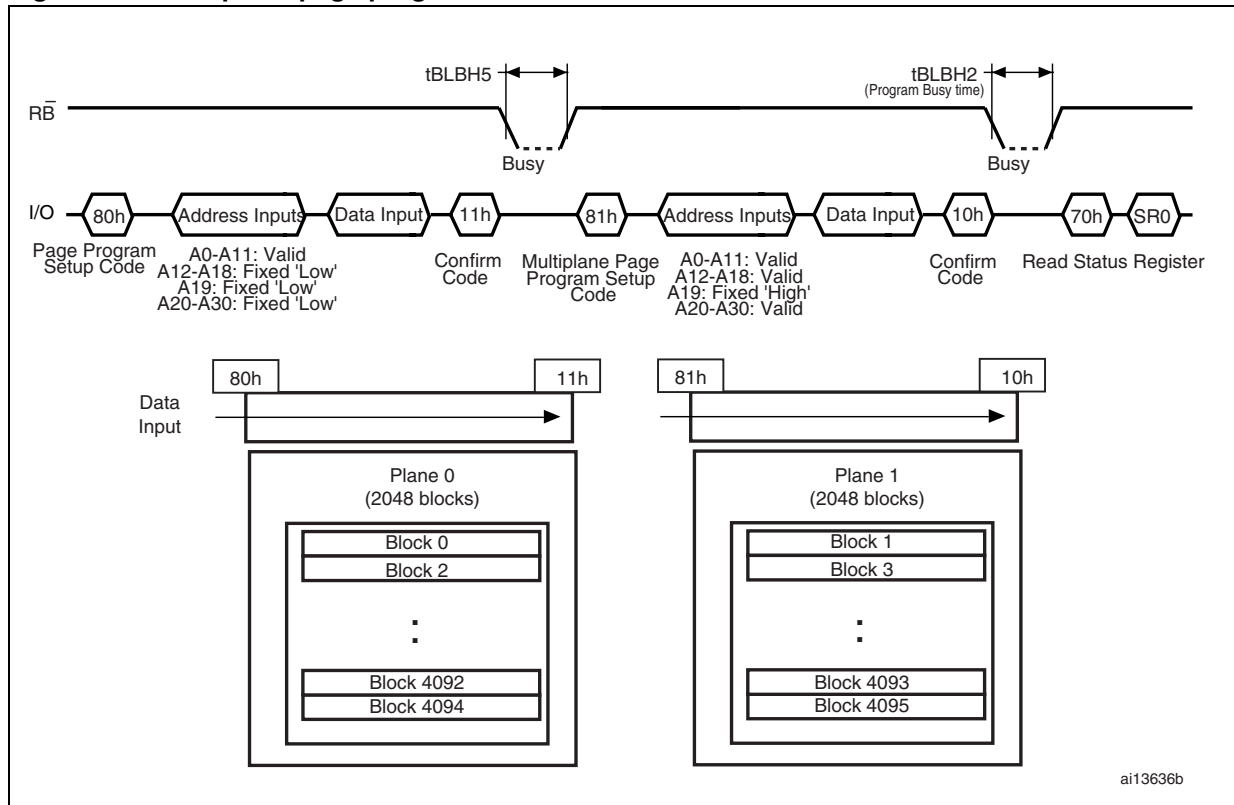
1. The first step loads serially up to two pages of data (4224 bytes) into the data buffer. It requires:
 - One clock cycle to set up the Page Program command (see [Section 6.5: Sequential input](#)).
 - Five bus write cycles to input the first page address and data. The address of the first page must be within the first plane ($A19 = 0$).
 - One bus write cycle to issue the Page Program Confirm code. After this the device is busy for a time of t_{BLBH5} .
 - When the device returns to the ready state (Ready/Busy High), a multiplane page program setup code must be issued, followed by the second page address (5 write cycles) and data. The address of the second page must be within the second plane ($A19=1$), and $A18$ to $A12$ must be the address bits loaded during the first address insertion.
2. The second step programs, in parallel, the two pages of data loaded into the data buffer into the appropriate memory pages. It is started by issuing a Program Confirm command.

As for standard page program operations, the device supports random data input during both data loading phases.

Once the multiplane page program operation has started, maintaining a delay of t_{BLBH5} , the Status Register can be read using the Read Status Register command. Once the multiplane page program operation has completed, the P/E/R controller bit SR6 is set to '1' and the Ready/Busy signal goes High.

If the multiplane page program fails, an error is signaled on bit SR0 of the Status Register. However, there is no way to identify for which page the program operation failed.

Figure 14. Multiplane page program



1. Note that the same addresses except for A19 apply to both blocks.
2. No command between 11h and 81h is permitted except 70h and FFh.

6.10 Block Erase

Erase operations are done one block at a time. An erase operation sets all of the bits in the addressed block to '1'. All previous data in the block is lost.

An erase operation consists of three steps (refer to [Figure 15](#)):

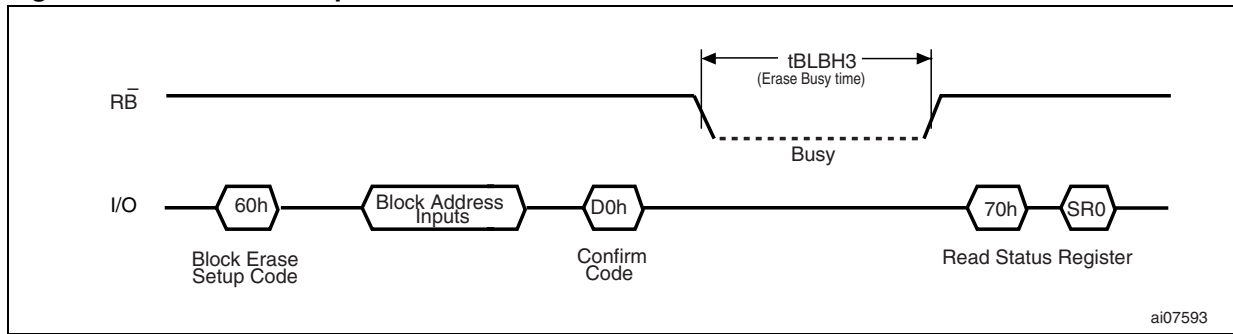
1. One bus cycle is required to setup the Block Erase command. Only addresses A19 to A31 are used; the other address inputs are ignored.
2. Three bus cycles are then required to load the address of the block to be erased. Refer to [Table 6](#) for the block addresses of each device.
3. One bus cycle is required to issue the Block Erase Confirm command to start the P/E/R controller.

The erase operation is initiated on the rising edge of Write Enable, \overline{W} , after the Confirm command is issued. The P/E/R Controller handles block erase and implements the verify process.

During the block erase operation, only the Read Status Register and Reset commands are accepted; all other commands are ignored.

Once the program operation has completed, the P/E/R controller bit SR6 is set to '1' and the Ready/Busy signal goes High. If the operation completes successfully, the write status bit SR0 is '0', otherwise it is set to '1'.

Figure 15. Block Erase operation



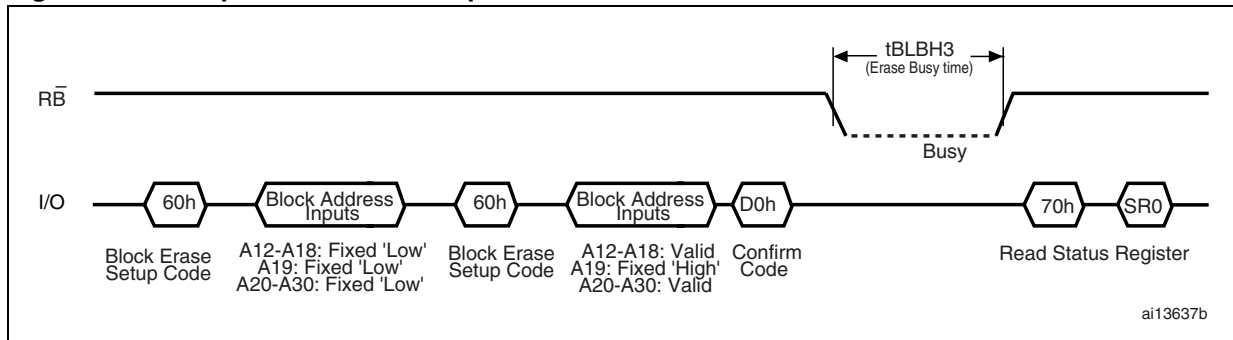
6.11 Multiplane block erase

The multiplane block erase operation allows the erasure of two blocks in parallel, one in each plane. It consists of three steps (refer to [Figure 16: Multiplane block erase operation](#)):

1. Eight bus cycles are required to set up the Block Erase command and load the addresses of the blocks to be erased. The Setup command, followed by the address of the block to be erased, must be issued for each block. No dummy busy time is required between the first and second block address insertion. As for multiplane page program, the address of the first and second page must be within the first plane ($A_{19} = 0$) and second plane ($A_{19} = 1$), respectively.
2. One bus cycle is then required to issue the Multiplane Block Erase Confirm command and start the P/E/R controller.

If the multiplane block erase fails, an error is signaled on bit SR0 of the status register. However, there is no way to identify for which page the multiplane block erase operation failed.

Figure 16. Multiplane block erase operation



6.12 Reset

The Reset command resets the command interface and Status Register. If the Reset command is issued during any operation, the operation is aborted. If it is a program or erase operation that is being aborted, the contents of the memory locations being modified are no longer valid as the data is partially programmed or erased.

If the device has already been reset, then the new Reset command is not accepted.

The Ready/Busy signal goes Low for t_{BLBH4} after the Reset command is issued. The value of t_{BLBH4} depends on the operation that the device was performing when the command was issued. Refer to [Table 23](#) for the values.

6.13 Read Status Register

The device contains a Status Register that provides information on the current or previous program or erase operation. The various bits in the Status Register convey information and errors on the operation.

The Status Register is read by issuing the Read Status Register command. The Status Register information is present on the output data bus (I/O0-I/O7) on the falling edge of Chip Enable, or Read Enable, whichever occurs last. When several memories are connected in a system, the use of Chip Enable and Read Enable signals allows the system to poll each device separately, even when the Ready/Busy pins are common-wired. It is not necessary to toggle the Chip Enable or Read Enable signals to update the contents of the status register.

After the Read Status Register command has been issued, the device remains in read Status Register mode until another command is issued. Therefore, if a Read Status Register command is issued during a random read cycle a new read command must be issued to continue with a page read operation.

Refer to [Table 9](#) which summarizes Status Register bits and should be read in conjunction with the following text descriptions.

Table 9. Status Register bits

I/O	Page program (SP/DP)	Block erase (SD/DP)	Page read	Definition
0	Pass/fail	Pass/fail	NA	Pass: '0', Fail: '1'
1	Plane 0: Pass/fail	Plane 0 Pass/fail	NA	Plane 0: Pass: '0', Fail: '1'
2	Plane 1: Pass/fail	Plane 1 Pass/fail	NA	Plane 1: Pass: '0', Fail: '1'
3	NA	NA	NA	-
4	NA	NA	NA	-
5	NA	NA	NA	-
6	Ready/busy	Ready/busy	Ready/busy	Busy: '0', Ready: '1'
7	Write protect	Write protect	Write protect	Protected: '0', Not protected: '1'

6.13.1 Write protection bit (SR7)

The write protection bit can identify if the device is protected or not. If the write protection bit is set to '1' the device is not protected and program or erase operations are allowed. If the write protection bit is set to '0' the device is protected and program or erase operations are not allowed.

6.13.2 P/E/R controller bit (SR6)

Status Register bit SR6 acts as a P/E/R controller bit, which indicates whether the P/E/R controller is active or inactive. When the P/E/R controller bit is set to '0', the P/E/R controller is active (device is busy); when the bit is set to '1', the P/E/R controller is inactive (device is ready).

6.13.3 Error bit (SR0)

The error bit identifies if any errors have been detected by the P/E/R controller. The error bit is set to '1' when a program or erase operation has failed to write the correct data to the memory. If the error bit is set to '0', the operation has completed successfully.

6.14 Read electronic signature

The device contains a manufacturer code and device code. The following three steps are required to read these codes:

1. One bus write cycle to issue the Read Electronic Signature command (90h)
2. One bus write cycle to input the address (00h)
3. Four bus read cycles to sequentially output the data (as shown in [Table 11: Electronic signature](#)).

Table 10. Device identifier codes

Device identifier cycle	Description
1st	Manufactuer code
2nd	Device identifier
3rd	Internal chip number, cell type, etc.
4th	Page size, block size, spare size organization
5th	Multiplane information

Table 11. Electronic signature

Part number	Byte/word 1	Byte/word 2	Byte 3 (see Table 12)	Byte 4 (see Table 13)	Byte 5 (see Table 14)
	Manufacturer code	Device code			
NAND08GW3C2B	20h	D3h	14h	A5h	34h
NAND16GW3C4B ⁽¹⁾					

1. Each 8-Gbit die returns its own electronic signature.

Table 12. Electronic signature byte 3

I/O	Definition	Value	Description
I/O1-I/O0	Die/package	0 0	1
		0 1	2
		1 0	4
		1 1	8
I/O3-I/O2	Cell type	0 0	2-level cell
		0 1	4-level cell
		1 0	8-level cell
		1 1	16-level cell
I/O5-I/O4	Number of simultaneously programmed pages	0 0	1
		0 1	2
		1 0	4
		1 1	8
I/O6	Interleaved programming between multiple devices	0	Not supported
		1	Supported
I/O7	Write cache	0	Not supported
		1	Supported

Table 13. Electronic signature byte 4

I/O	Definition	Value	Description
I/O1-I/O0	Page size (without spare area)	0 0	1 KBytes
		0 1	2 KBytes
		1 0	4 KBytes
		1 1	8 KBytes
I/O2	Spare area size (byte/512 byte)	0	8
		1	16
I/O7, I/O3	Serial access time	0 0	50 ns
		0 1	30 ns
		1 0	25 ns
		1 1	Reserved
I/O5-I/O4	Block size (without spare area)	0 0	64 KBytes
		0 1	128 KBytes
		1 0	256 KBytes
		1 1	512 KBytes
I/O6	Organization	0	x8
		1	x16

Table 14. Electronic signature byte 5

I/O	Definition	Value	Description
I/O1 - I/O0	Reserved	0 0	
I/O3 - I/O2	Plane number	0 0	1 plane
		0 1	2 planes
		1 0	4 planes
		1 1	8 planes
I/O6 - I/O4	Plane size (without redundant area)	0 0 0	512 Mbits
		0 0 1	1 Gbyte
		0 1 0	2 Gbytes
		0 1 1	4 Gbytes
		1 0 0	8 Gbytes
		1 0 1	Reserved
		1 1 0	Reserved
		1 1 1	Reserved
I/O7	Reserved	0	

7 Concurrent operations and ERS

The NAND16GW3C4B is composed of two 8-Gbit dice stacked together. This configuration allows the device to support concurrent operations. This means that while performing an operation in one die (erase, read, program, etc.), another operation is possible in the other die.

The standard Read Status Register (ERS) operation returns the status of the NAND16GW3C4B device. To provide information on each 8-Gbit die, the NAND16GW3C4B features an Extended Read Status Register command that allows to check independently the status of each die.

The following steps are required to perform concurrent operations:

1. Select one of the two dice by setting the most significant address bit A31 to '0' or '1'.
2. Execute one operation on this die.
3. Launch a concurrent operation on the other die.
4. Check the status of these operations by performing an extended read Status Register operation.

All combinations of operations are possible except executing read on both dice. This is due to the fact that the input/output bus is common to both dice.

Refer to [Table 15](#) for the description of the Extended Read Status Register command sequence, and to [Table 9](#) for the definition of the Status Register bits.

Table 15. Extended Read Status Register commands

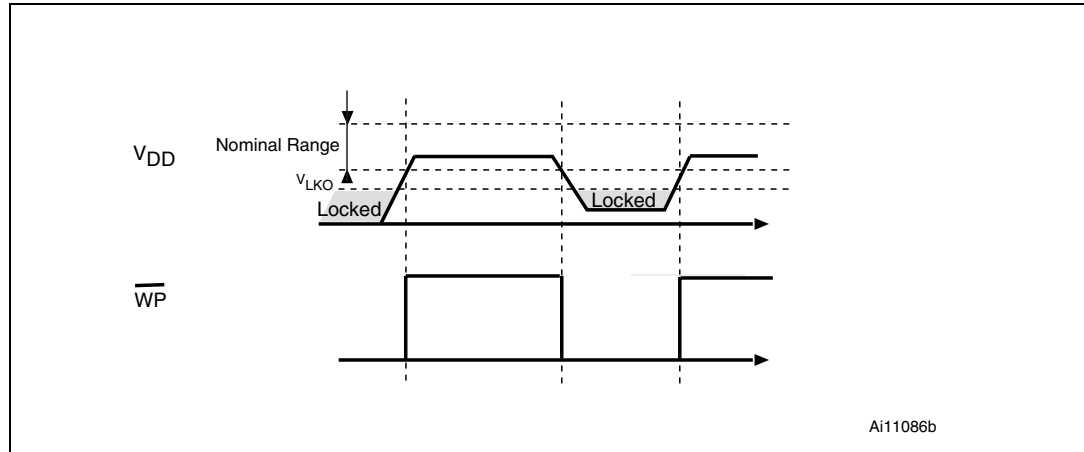
Command	Address range	1 bus write cycle
Read 1st die status	Address $\leq 0x7FFFFFFF$	F1h
Read 2nd die status	$0x7FFFFFFF < \text{Address} \leq 0xFFFFFFFF$	F2h

8 Data protection

The device has hardware features to protect against spurious program and erase operations. An internal voltage detector disables all functions whenever V_{CC} is below the V_{LKO} threshold. It is recommended to keep \overline{WP} at V_{IL} during power-up and power-down.

In the V_{DD} range from V_{LKO} to the lower limit of nominal range, the \overline{WP} pin should be kept Low (V_{IL}) to guarantee hardware protection during power transitions, as shown in [Figure 17](#).

Figure 17. Data protection



9 Software algorithms

This section provides information on the software algorithms that Numonyx recommends implementing to manage the bad blocks and extend the lifetime of the NAND device.

NAND Flash memories are programmed and erased by Fowler-Nordheim tunneling using high voltage. Exposing the device to high voltage for extended periods can cause the oxide layer to be damaged. For this reason, the number of program and erase cycles is limited (see [Table 17](#) for value). It is recommended to implement garbage collection, wear-leveling and error correction code algorithms to extend the number of program and erase cycles and to increase data retention.

To help integrate a NAND memory into an application Numonyx can provide a File System OS native reference software, which supports the basic commands of file management.

Contact the nearest Numonyx sales office for more details.

9.1 Bad block management

Devices with bad blocks have the same quality level and the same AC and DC characteristics as devices where all the blocks are valid. A bad block does not affect the performance of valid blocks because it is isolated from the bit line and common source line by a select transistor.

The devices are supplied with all the locations inside valid blocks erased (FFh). The bad block information is written prior to shipping. Any block, where the 1st byte in the spare area of the last page, does not contain FFh, is a bad block.

The bad block information must be read before any erase is attempted as the bad block information may be erased. For the system to be able to recognize the bad blocks based on the original information it is recommended to create a bad block table following the flowchart shown in [Figure 18](#).

9.2 NAND Flash memory failure modes

The NAND08GW3C2B and NAND16GW3C4B devices may contain bad blocks, where the reliability of blocks that contain one or more invalid bits is not guaranteed. Additional bad blocks may develop during the lifetime of the device.

To implement a highly reliable system, all the possible failure modes must be considered:

- Program/erase failure

in this case, the block has to be replaced by copying the data to a valid block. These additional bad blocks can be identified as attempts to program or erase them and give errors in the Status Register.

Because the failure of a Page Program operation does not affect the data in other pages in the same block, the block can be replaced by re-programming the current data and copying the rest of the replaced block to an available valid block. The Copy Back Program command can be used to copy the data to a valid block. See [Section Figure 10.: Random data input during sequential data input](#) for more details.
- Read failure

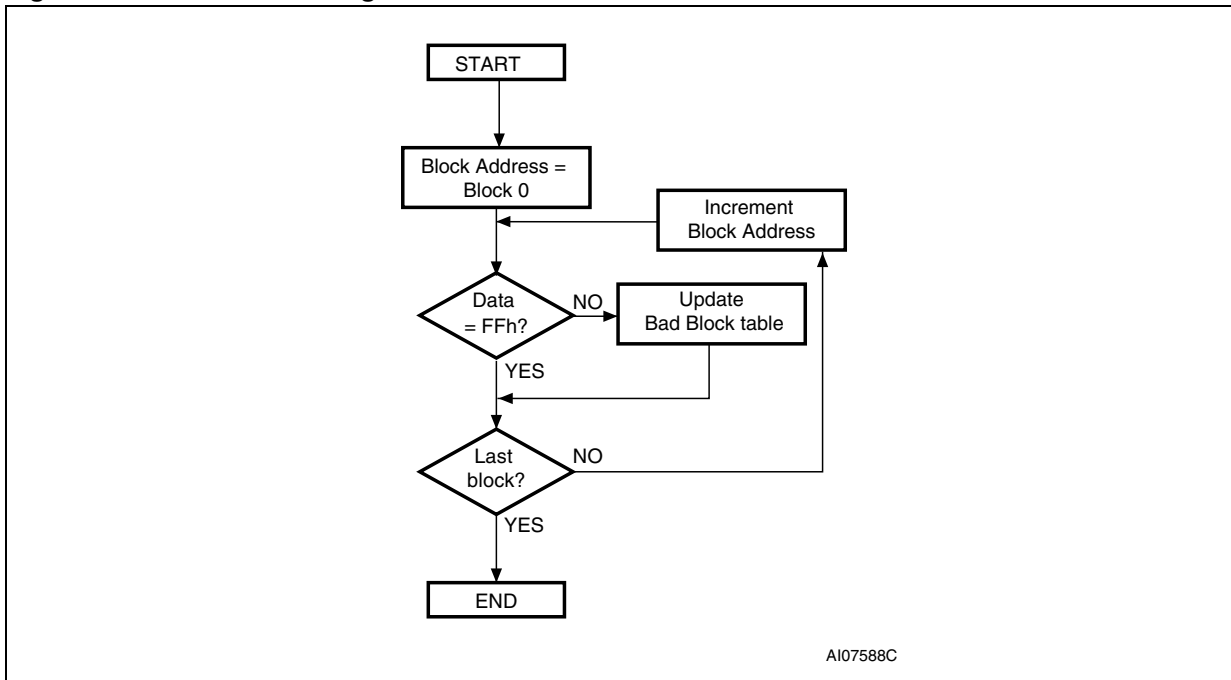
in this case, ECC correction must be implemented. To efficiently use the memory space, it is recommended to recover single-bit errors in read by ECC, without replacing the whole block.

Refer to [Table 16](#) for the procedure to follow if an error occurs during an operation.

Table 16. Block Failure

Operation	Procedure
Erase	Block replacement
Program	Block replacement or ECC (with 4 bit/528 byte)
Read	ECC (with 4 bit/528 byte)

Figure 18. Bad block management flowchart

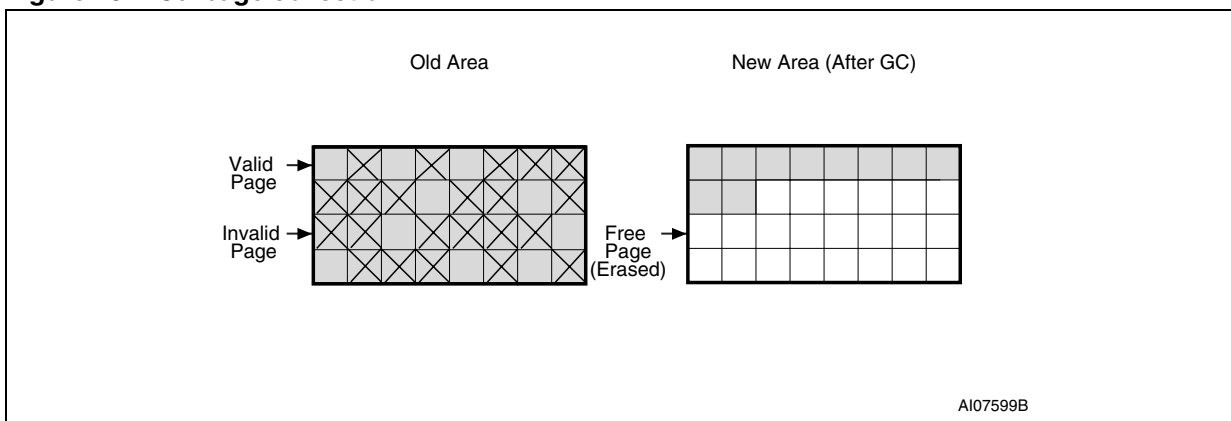


9.3 Garbage collection

When a data page needs to be modified, it is faster to write to the first available page and mark the previous page as invalid. After several updates it is necessary to remove invalid pages to free some memory space.

To free this memory space and allow further program operations, it is recommended to implement a garbage collection algorithm. In a garbage collection software the valid pages are copied into a free area and the block containing the invalid pages is erased (see [Figure 19](#)).

Figure 19. Garbage collection



9.4 Wear-leveling algorithm

For write-intensive applications, it is recommended to implement a wear-leveling algorithm to monitor and spread the number of write cycles per block.

In memories that do not use a wear-leveling algorithm, not all blocks get used at the same rate. The wear-leveling algorithm ensures that equal use is made of all the available write cycles for each block.

There are two wear-leveling levels:

1. First level wear-leveling, where new data is programmed to the free blocks that have had the fewest write cycles
2. Second level wear-leveling, where long-lived data is copied to another block so that the original block can be used for more frequently changed data.

The second level wear-leveling is triggered when the difference between the maximum and the minimum number of write cycles per block reaches a specific threshold.

9.5 Hardware simulation models

9.5.1 Behavioral simulation models

Denali Software Corporation models are platform-independent functional models designed to assist customers in performing entire system simulations (typical VHDL/Verilog). These models describe the logic behavior and timings of NAND Flash devices, and, therefore, allow software to be developed before hardware.

9.5.2 IBIS simulations models

I/O buffer information specification (IBIS) models describe the behavior of the I/O buffers and electrical characteristics of Flash devices.

These models provide information such as AC characteristics, rise/fall times, and package mechanical data, all of which are measured or simulated at voltage and temperature ranges wider than those allowed by target specifications.

IBIS models are used to simulate PCB connections and can be used to resolve compatibility issues when upgrading devices. They can be imported into SPICETOOLS.

10 Program and erase times and endurance cycles

[Table 17](#) shows the program and erase times and the number of program/erase cycles per block.

Table 17. Program and erase times and program erase endurance cycles

Parameters	NAND08GW3C2B, NAND16GW3C4B			Unit
	Min	Typ	Max	
Page program time		800	2000	μs
Block erase time		2.5	10	ms
Program/erase cycles (per block (with ECC))	10,000			cycles
Data retention	10			years
Number of partial program cycles (NOP) within the same page (main array or spare array)			1	cycle

11 Maximum ratings

Stressing the device above the ratings listed in [Table 18: Absolute maximum ratings](#) may cause permanent damage to the device. These are stress ratings only, and operation of the device at these or any other conditions above those indicated in the operating sections of this specification is not implied. Exposure to absolute maximum rating conditions for extended periods may affect device reliability. Refer also to the Numonyx SURE program and other relevant quality documents.

Table 18. Absolute maximum ratings

Symbol	Parameter	Value		Unit
		Min	Max	
T_{BIAS}	Temperature under bias	- 50	125	°C
T_{STG}	Storage temperature	- 65	150	°C
$V_{IO}^{(1)}$	Input or output voltage	- 0.6	4.6	V
V_{DD}	Supply voltage	- 0.6	4.6	V

1. Minimum voltage may undershoot to -2 V for less than 20 ns during transitions on input and I/O pins. Maximum voltage may overshoot to $V_{DD} + 2$ V for less than 20 ns during transitions on I/O pins.

12 DC and AC parameters

This section summarizes the operating and measurement conditions as well as the DC and AC characteristics of the device. The parameters in the following DC and AC characteristics tables are derived from tests performed under the measurement conditions summarized in [Table 19: Operating and AC measurement conditions](#). Designers should check that the operating conditions in their circuit match the measurement conditions when relying on the quoted parameters.

Table 19. Operating and AC measurement conditions

Parameter	NAND08GW3C2B, NAND16GW3C4B		Units
	Min	Max	
Supply voltage (V_{DD})	2.7	3.6	V
Ambient temperature (T_A)	0	70	°C
	-40	85	°C
Load capacitance (C_L) (1 TTL GATE and C_L)	50		pF
Input pulses voltages	0.4	2.4	V
Input and output timing ref. voltages	1.5		V
Output circuit resistor R_{ref}	8.35		kΩ
Input rise and fall times	5		ns

Table 20. Capacitance⁽¹⁾

Symbol	Parameter	Test condition	Typ	Max	Unit
C_{IN}	Input capacitance	$V_{IN} = 0\text{ V}$		10	pF
$C_{I/O}$	Input/output capacitance	$V_{IL} = 0\text{ V}$		10	pF

1. $T_A = 25^\circ\text{C}$, $f = 1\text{ MHz}$. C_{IN} and $C_{I/O}$ are not 100% tested.

Table 21. DC characteristics

Symbol	Parameter	Test conditions	Min	Typ	Max	Unit
I_{DD1}	Operating current	Sequential read t_{RLRL} minimum $\bar{E}=V_{IL}, I_{OUT}=0$ mA	-	15	30	mA
I_{DD2}		Program	-	15	30	mA
I_{DD3}		Erase	-	-	15	30
I_{DD4}	Standby current (TTL)	$E=V_{IH}, \overline{WP}=0/V_{DD}$			1	mA
I_{DD5}	Standby current (CMOS)	$\bar{E}=V_{DD}-0.2,$ $\overline{WP}=0/V_{DD}$	-	10	50	μ A
I_{LI}	Input leakage Current	$V_{IN}=0$ to 3.6 V	-	-	± 10	μ A
I_{LO}	Output leakage Current	$V_{OUT}=0$ to 3.6 V	-	-	± 10	μ A
V_{IH}	Input high voltage	-	2.0	-	$V_{DD}+0.3$	V
V_{IL}	Input low voltage	-	-0.3	-	0.8	V
V_{OH}	Output high voltage level	$I_{OH} = -400 \mu$ A	2.4	-	-	V
V_{OL}	Output low voltage level	$I_{OL} = 2.1$ mA	-	-	0.4	V
$I_{OL} (R\bar{B})$	Output low current ($R\bar{B}$)	$V_{OL} = 0.4$ V	8	10		mA
V_{LKO}	V_{DD} supply voltage (erase and program lockout)	-	-	-	2.5	V

Table 22. AC characteristics for command, address, data input

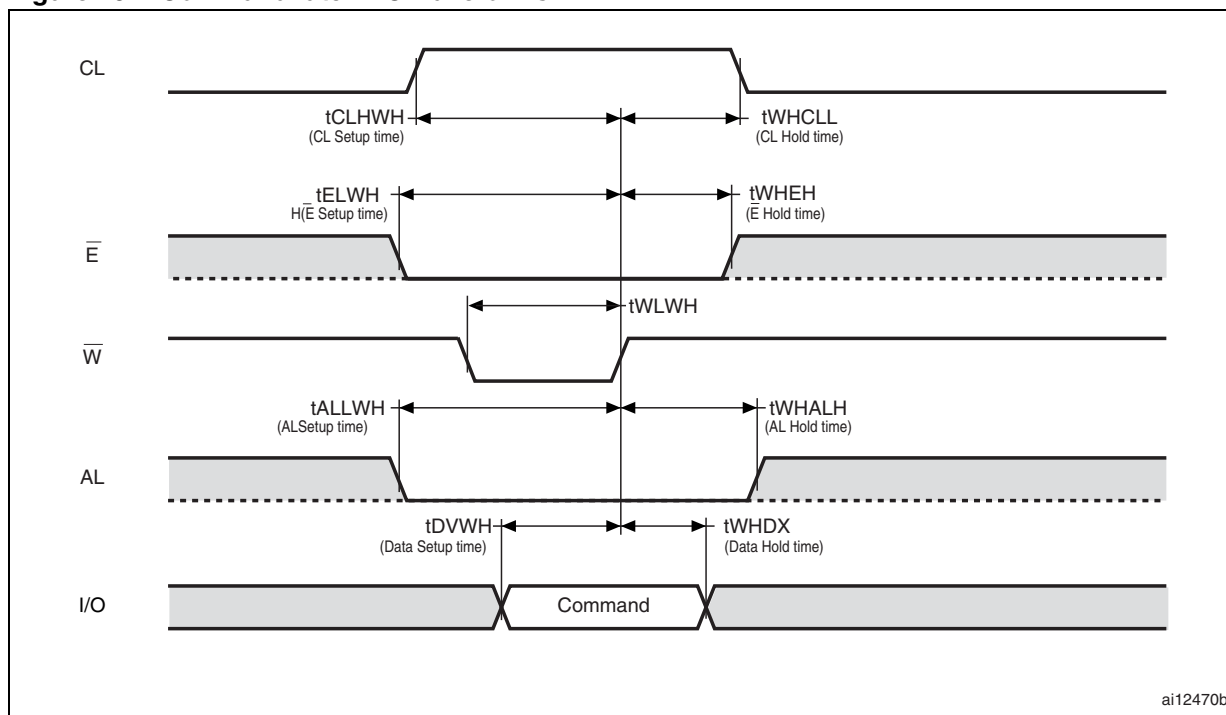
Symbol	Alt. symbol	Parameter	Value	Unit		
t_{ALLWH}	t_{ALS}	Address Latch Low to Write Enable High	AL setup time	Min	12	ns
t_{ALHWH}		Address Latch High to Write Enable High				
t_{CLHWH}	t_{CLS}	Command Latch High to Write Enable High	CL setup time	Min	12	ns
t_{CLLWH}		Command Latch Low to Write Enable High				
t_{DVWH}	t_{DS}	Data Valid to Write Enable High	Data setup time	Min	12	ns
t_{ELWH}	t_{CS}	Chip Enable Low to Write Enable High	\bar{E} setup time	Min	20	ns
t_{WHALH}	t_{ALH}	Write Enable High to Address Latch High	AL hold time	Min	5	ns
t_{WHALL}		Write Enable High to Address Latch Low				
t_{WHCLH}	t_{CLH}	Write Enable High to Command Latch High	CL hold time	Min	5	ns
t_{WHCLL}		Write Enable High to Command Latch Low				
t_{WHDX}	t_{DH}	Write Enable High to Data Transition	Data hold time	Min	5	ns
t_{WHEH}	t_{CH}	Write Enable High to Chip Enable High	\bar{E} hold time	Min	5	ns
t_{WHWL}	t_{WH}	Write Enable High to Write Enable Low	\bar{W} High hold time	Min	10	ns
t_{WLWH}	t_{WP}	Write Enable Low to Write Enable High	\bar{W} pulse width	Min	12	ns
t_{WLWL}	t_{WC}	Write Enable Low to Write Enable Low	Write cycle time	Min	25	ns

Table 23. AC characteristics for operations

Symbol	Alt. Symbol	Parameter		Value			Unit
				Min	Typ	Max	
t _{ALLRL1}	t _{AR}	Address Latch Low to Read Enable Low	Read electronic signature	10			ns
t _{ALLRL2}			Read cycle	10			ns
t _{BHRL}	t _{RR}	Ready/Busy High to Read Enable Low		20			ns
t _{BLBH1}	t _{PROG}	Ready/Busy Low to Ready/Busy High	Read Busy time			60	µs
t _{BLBH2}			Program Busy time			2000	µs
t _{BLBH3}			t _{BERS}	Erase Busy time			3
t _{BLBH4}	t _{RST}	Reset Busy time, during ready				5	µs
		Reset Busy time, during read				20	µs
		Reset Busy time, during program				20	µs
		Reset Busy time, during erase				500	µs
t _{BLBH5}	t _{CBSY}	Dummy Busy Time for Multiplane operations			1	2	µs
t _{CLLRL}	t _{CLR}	Command Latch Low to Read Enable Low		10			ns
t _{DZRL}	t _{IR}	Data Hi-Z to Read Enable Low		0			ns
t _{EHQZ}	t _{CHZ}	Chip Enable High to Output Hi-Z				50	ns
t _{ELQV}	t _{CEA}	Chip Enable Low to Output Valid				25	ns
t _{RHRL}	t _{REH}	Read Enable High to Read Enable Low	Read Enable High Hold time	10			ns
t _{EHQX}	t _{COH}	Chip Enable High to Output Hold		15			ns
t _{RHQX}	t _{RHOH}	Read Enable High to Output Hold		15			ns
t _{RLQX}	t _{RLOH}	Read Enable Low to Output Hold (EDO Mode)		5			ns
t _{RHQZ}	t _{RHZ}	Read Enable High to Output Hi-Z				100	ns
t _{RLRH}	t _{RP}	Read Enable Low to Read Enable High	Read Enable Pulse Width	12			ns
t _{RLRL}	t _{RC}	Read Enable Low to Read Enable Low		25			ns
t _{RLQV}	t _{REA}	Read Enable Low to Output Valid		Read Enable Access time		20	ns
				Read ES Access time ⁽¹⁾			
t _{WHBH}	t _R	Write Enable High to Ready/Busy High	Read Busy time			60	µs
t _{WHBL}	t _{WB}	Write Enable High to Ready/Busy Low				100	ns
t _{WHRL}	t _{WHR}	Write Enable High to Read Enable Low		80			ns
t _{WHWH} ⁽²⁾	t _{ADL}	Last Address latched on Data Loading Time during Program operations		70			ns
t _{VHWH} ⁽³⁾	t _{WW}	Write Protection time		100			ns
t _{VLWH} ⁽³⁾				100			ns

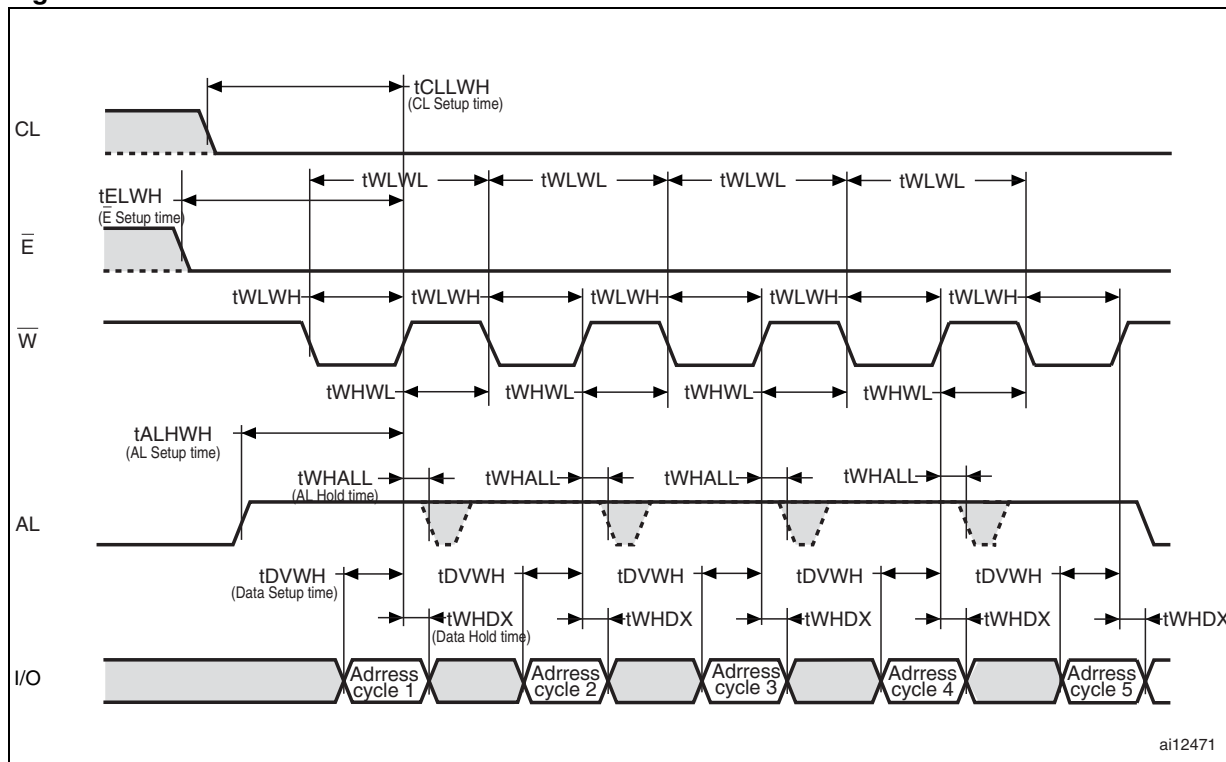
1. ES = Electronic Signature.
2. t_{WHWH} is the delay from Write Enable rising edge during the final address cycle to Write Enable rising edge during the first data cycle.
3. \overline{WP} High to \overline{W} High during Program/Erase Enable operations.

Figure 20. Command latch AC waveforms



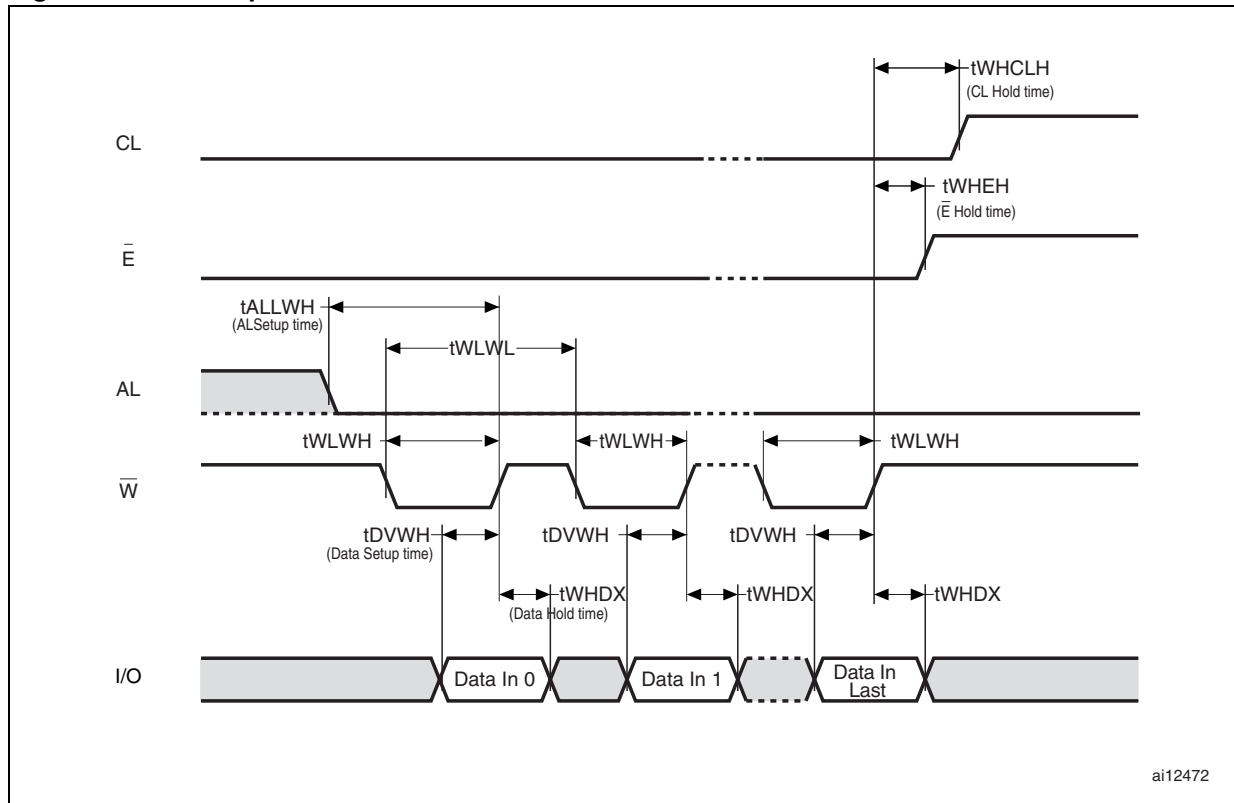
ai12470b

Figure 21. Address latch AC waveforms



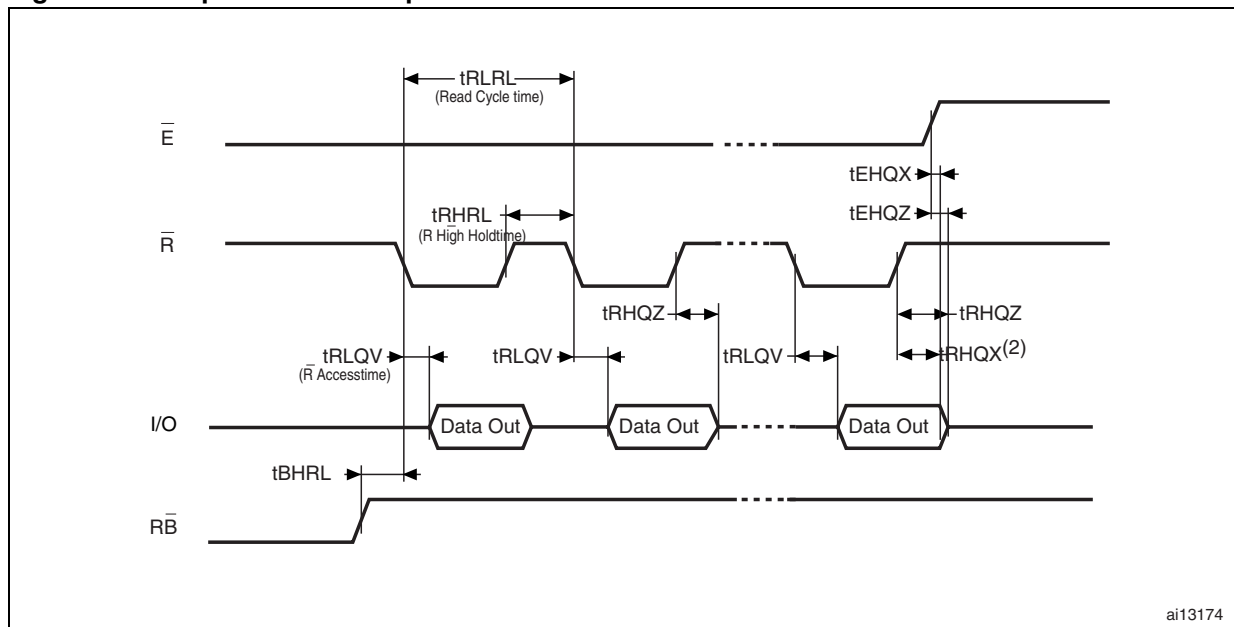
ai12471

Figure 22. Data input latch AC waveforms



1. The last data input is the 2112th.

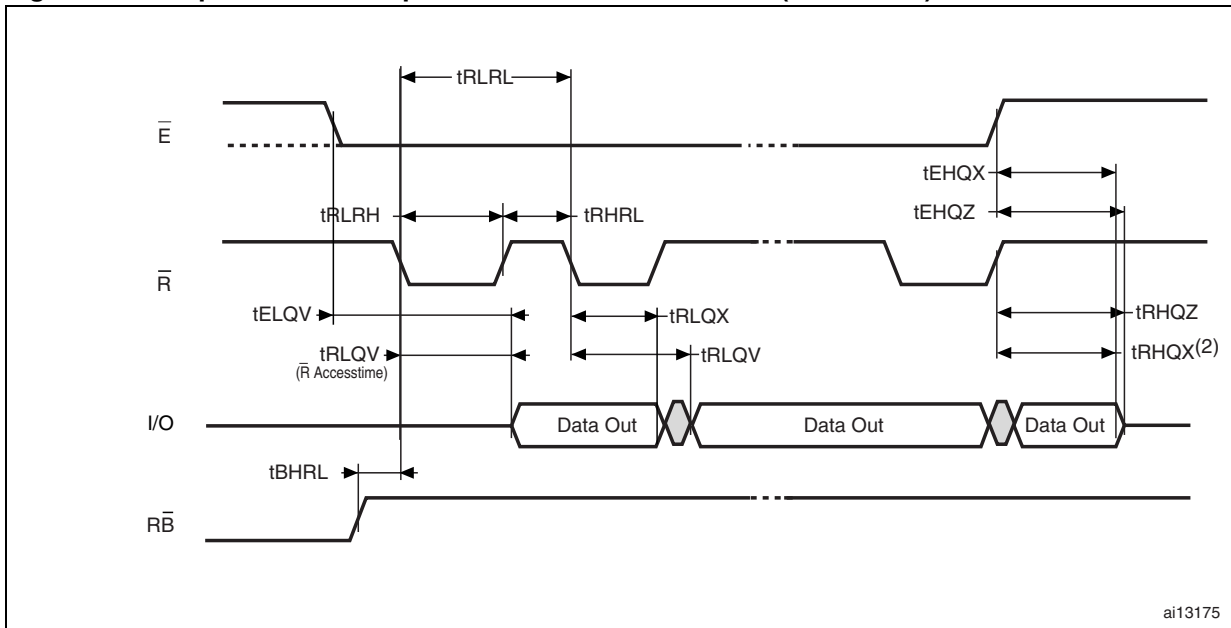
Figure 23. Sequential data output after Read AC waveforms



1. $CL = Low$, $AL = Low$, $\overline{W} = High$.

2. t_{RHQX} is applicable for frequencies lower than 33 MHz (i.e. t_{RLRL} higher than 30 ns).

Figure 24. Sequential data output after Read AC waveforms (EDO mode)



1. In EDO mode, CL and AL are Low, V_{IL} , and \bar{W} is High, V_{IH} .
2. t_{RLQX} is applicable for frequencies higher than 33 MHz (i.e. t_{RLRL} lower than 30 ns).

Figure 25. Read Status Register AC waveform

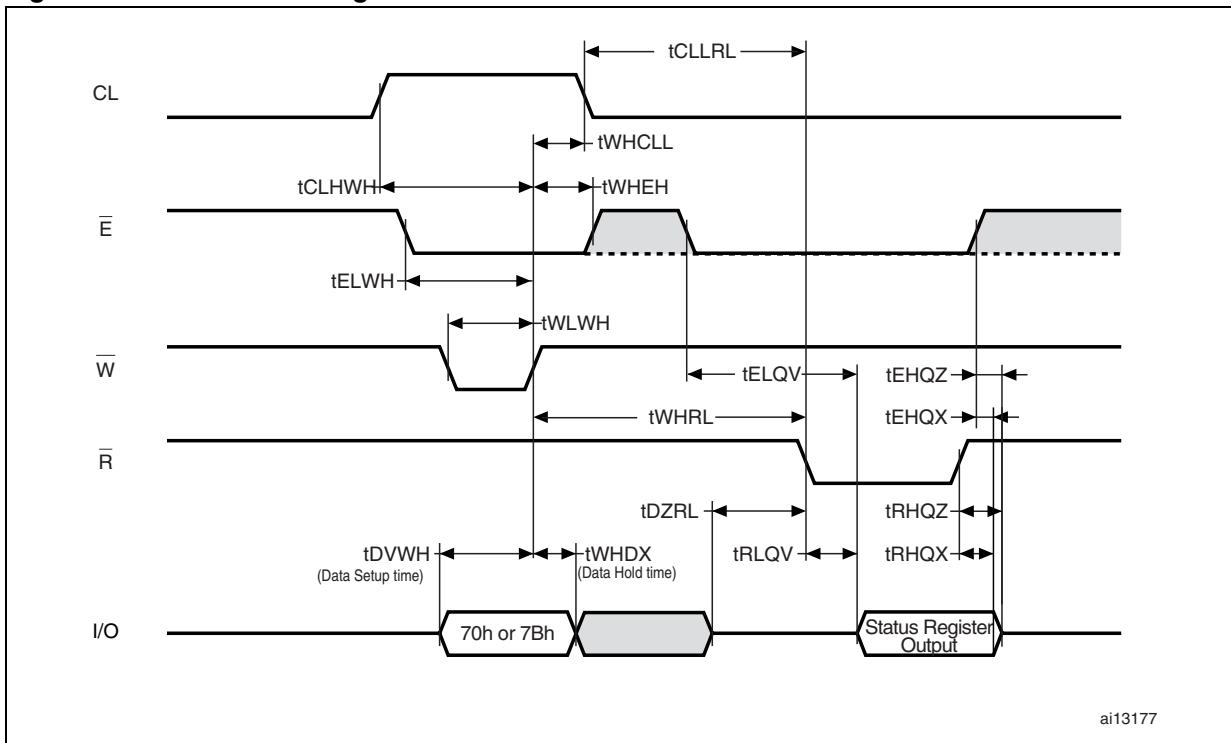
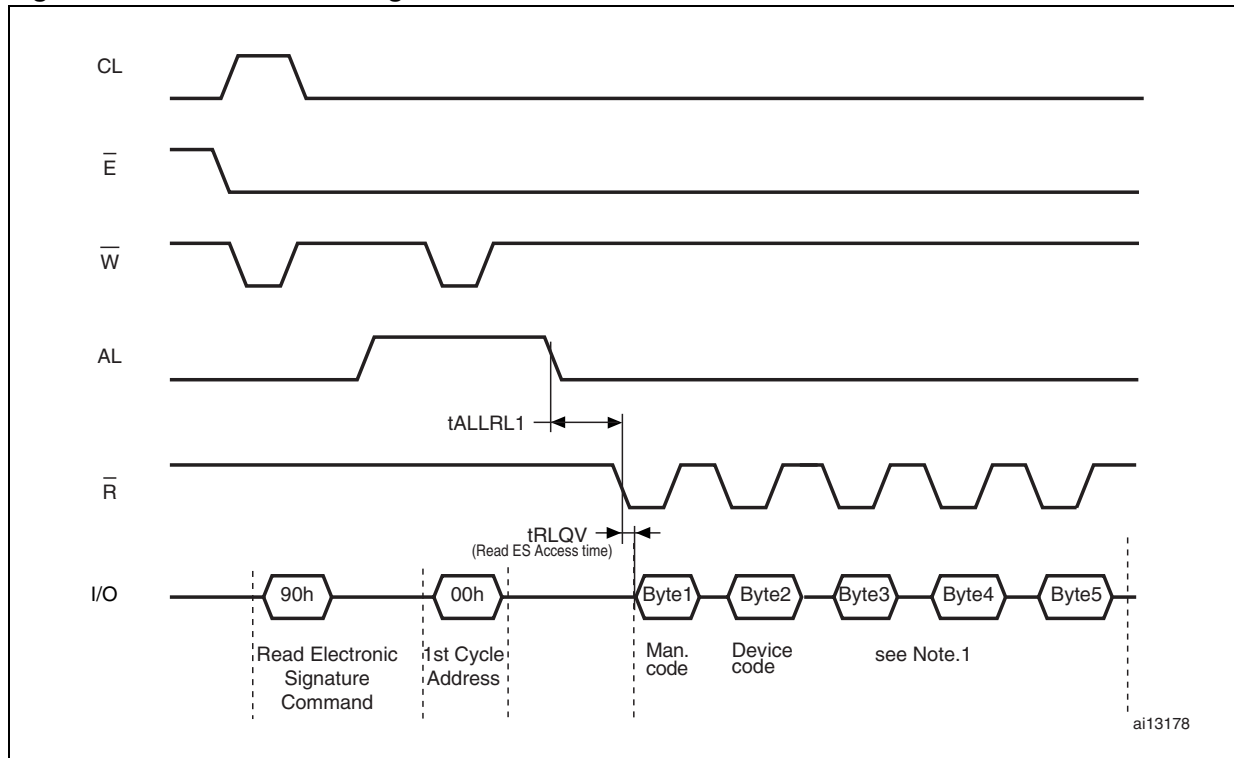


Figure 26. Read electronic signature AC waveform



1. Refer to [Table 11](#) for the values of the manufacturer and device codes, and to [Table 12](#), [Table 13](#), and [Table 14](#) for the information contained in Byte 3, Byte 4, and Byte 5.

Figure 27. Page read operation AC waveform

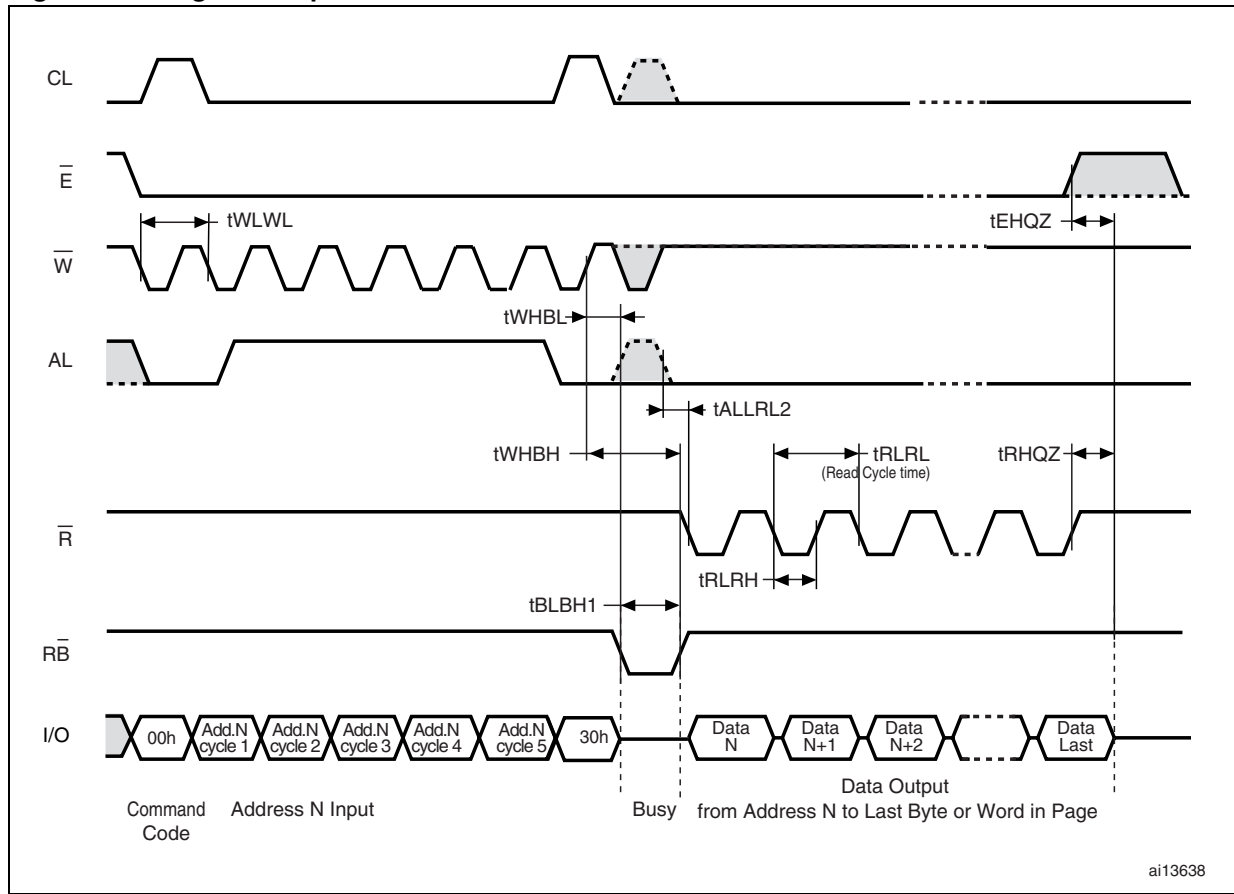


Figure 28. Page program AC waveform

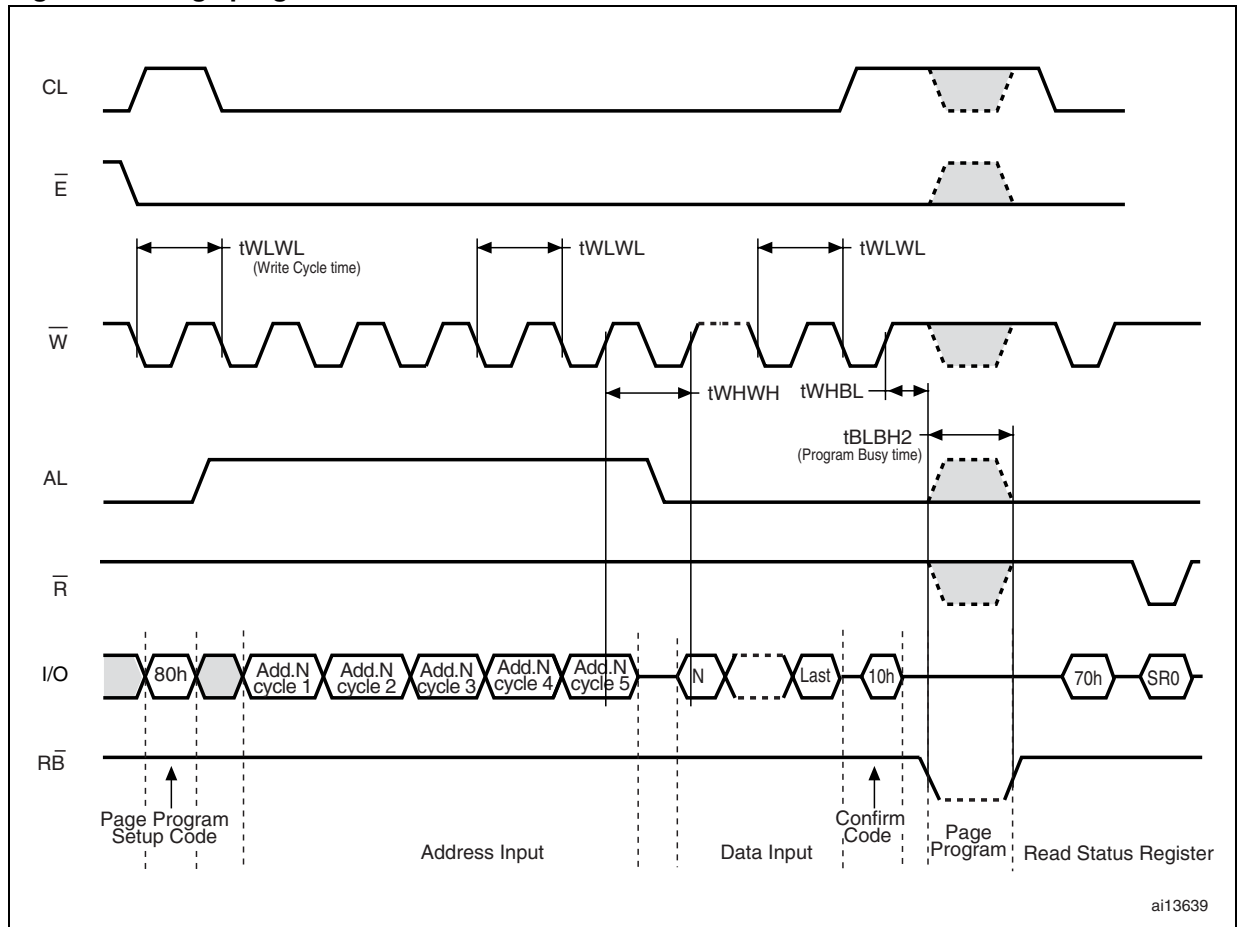


Figure 29. Block erase AC waveform

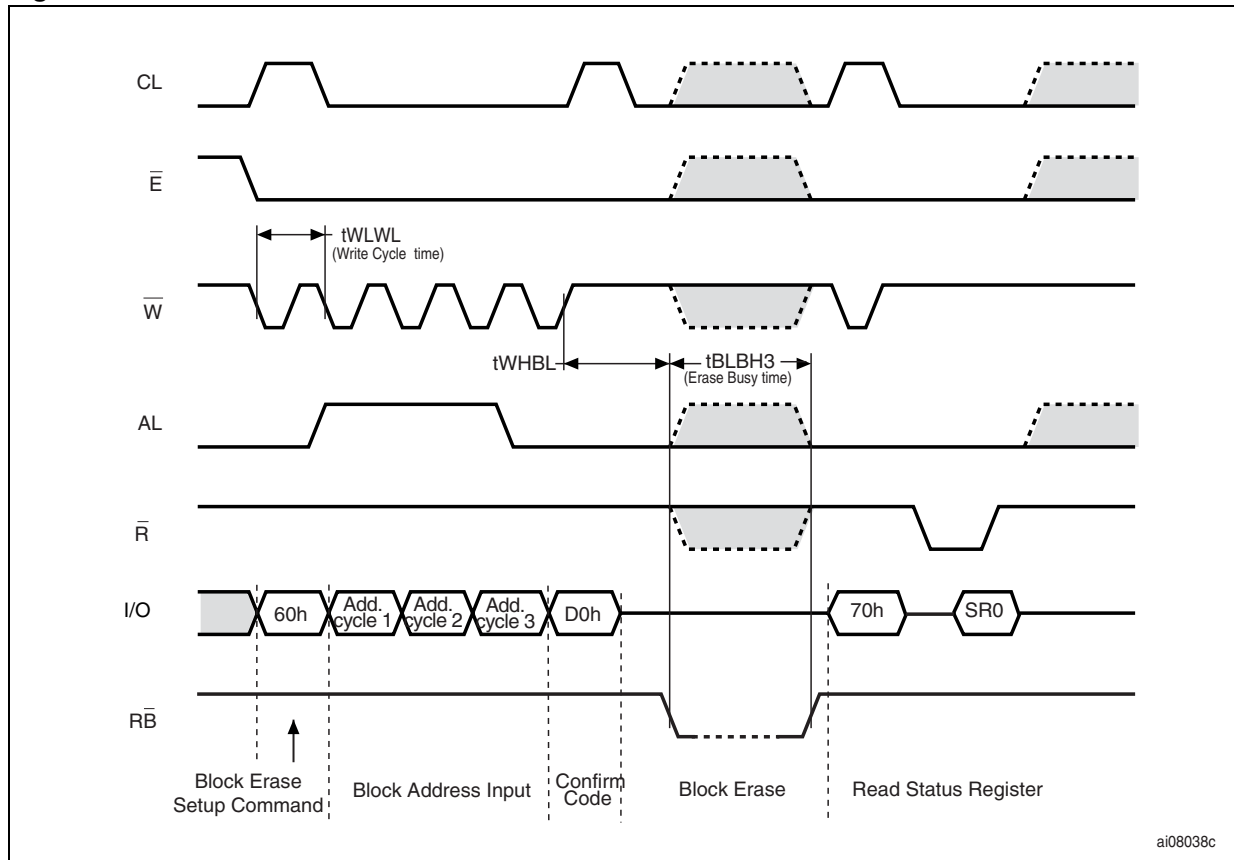


Figure 30. Reset AC waveform

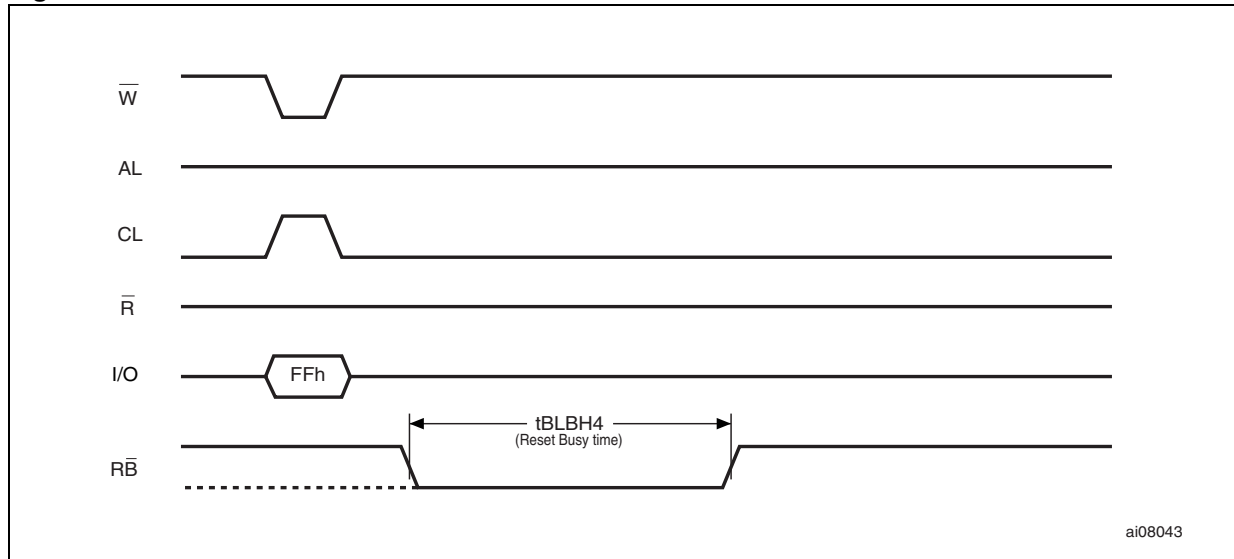


Figure 31. Program/erase enable waveform

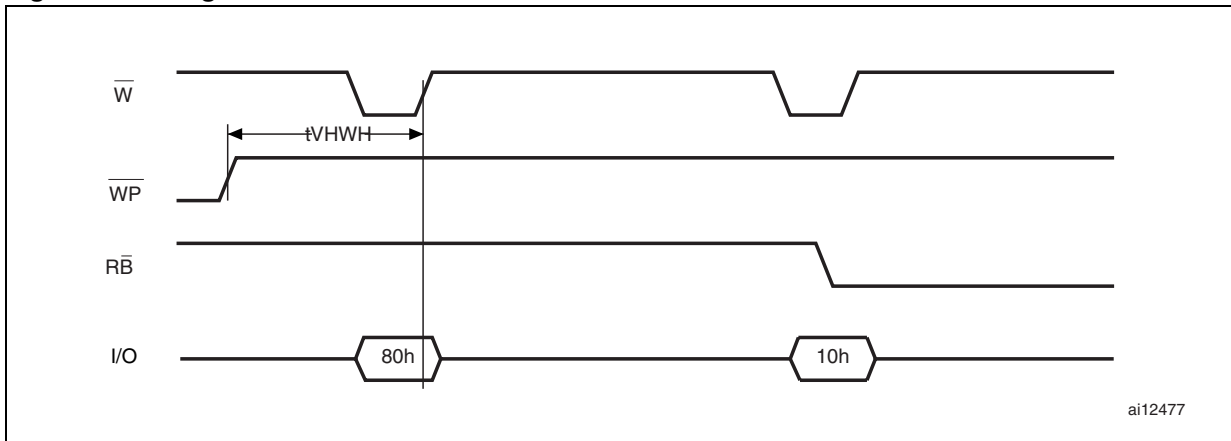
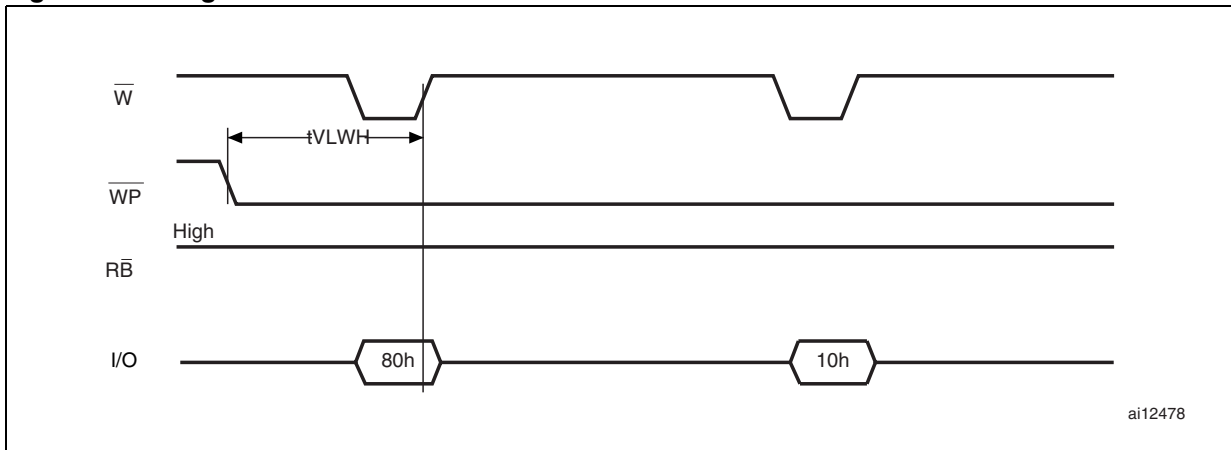


Figure 32. Program/erase disable waveform



12.1 Ready/Busy signal electrical characteristics

Figure 34, Figure 33 and Figure 35 show the electrical characteristics for the Ready/Busy signal. The value required for the resistor R_P can be calculated using the following equation:

$$R_{P\min} = \frac{(V_{DD\max} - V_{OL\max})}{I_{OL} + I_L}$$

So,

$$R_{P\min} = \frac{3,2V}{8mA + I_L}$$

where I_L is the sum of the input currents of all the devices tied to the Ready/Busy signal. R_P max is determined by the maximum value of t_r .

Figure 33. Ready/Busy AC waveform

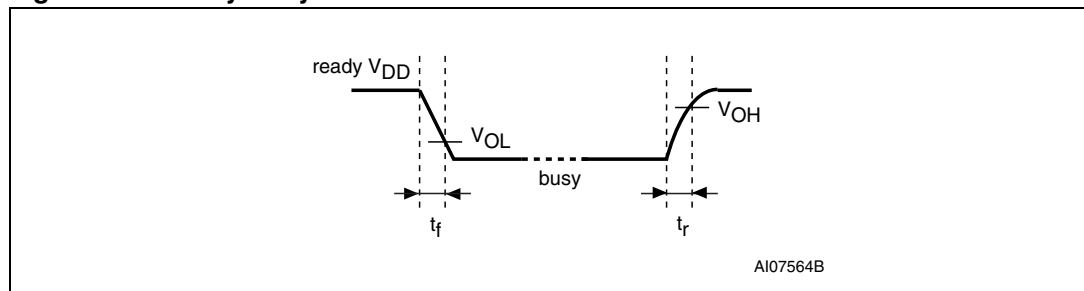


Figure 34. Ready/Busy load circuit

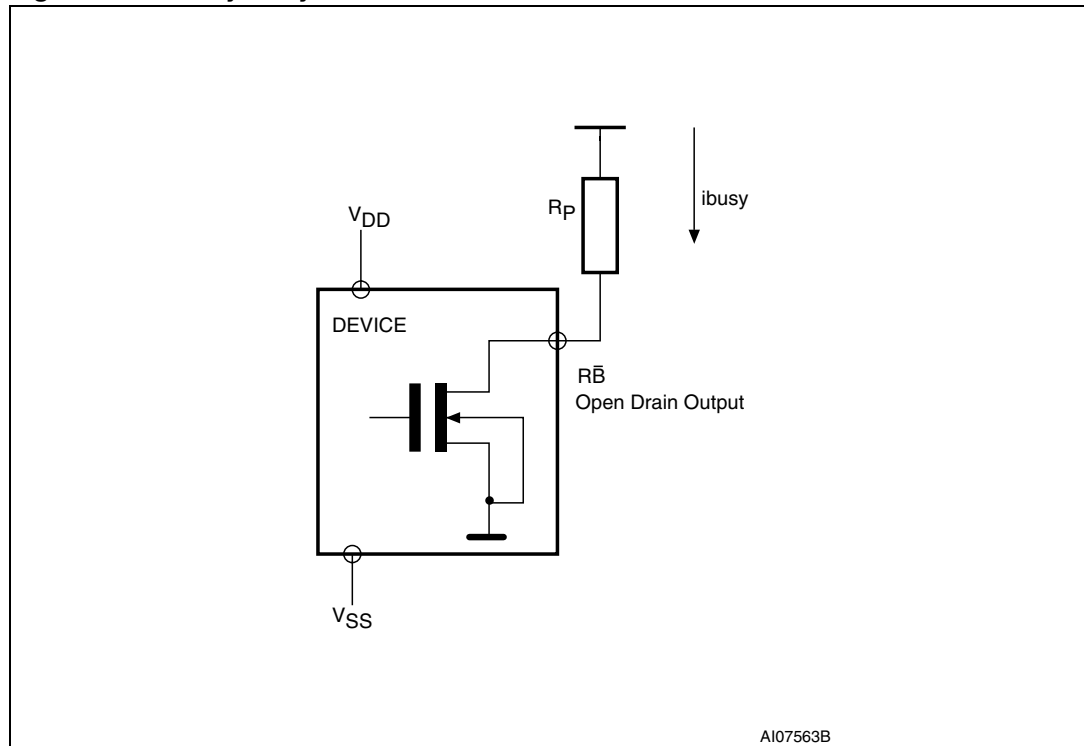
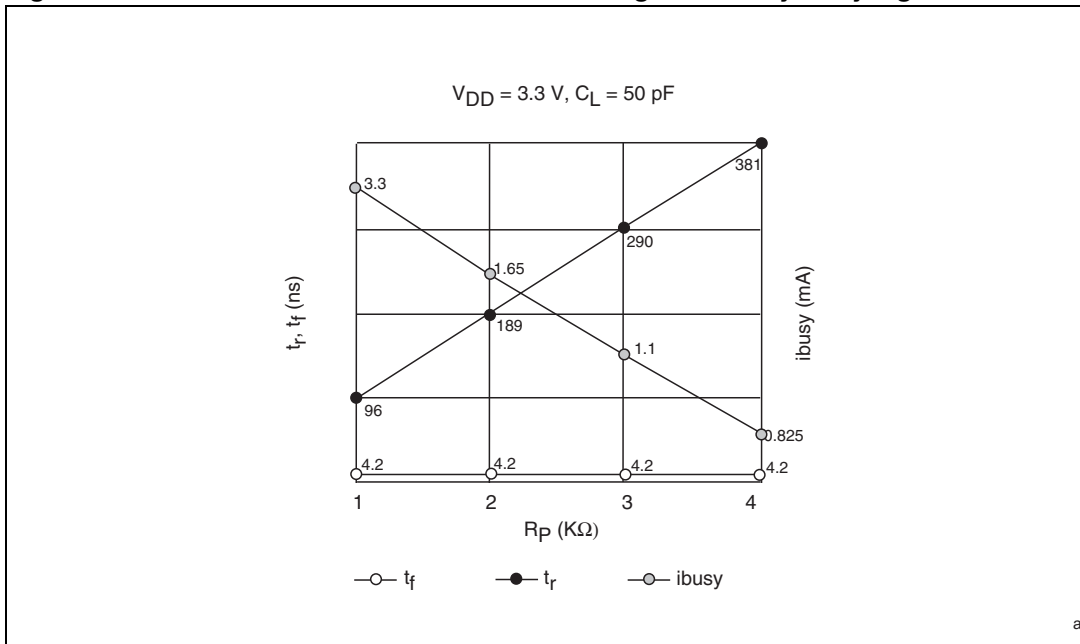


Figure 35. Resistor value versus waveform timings for Ready/Busy signal

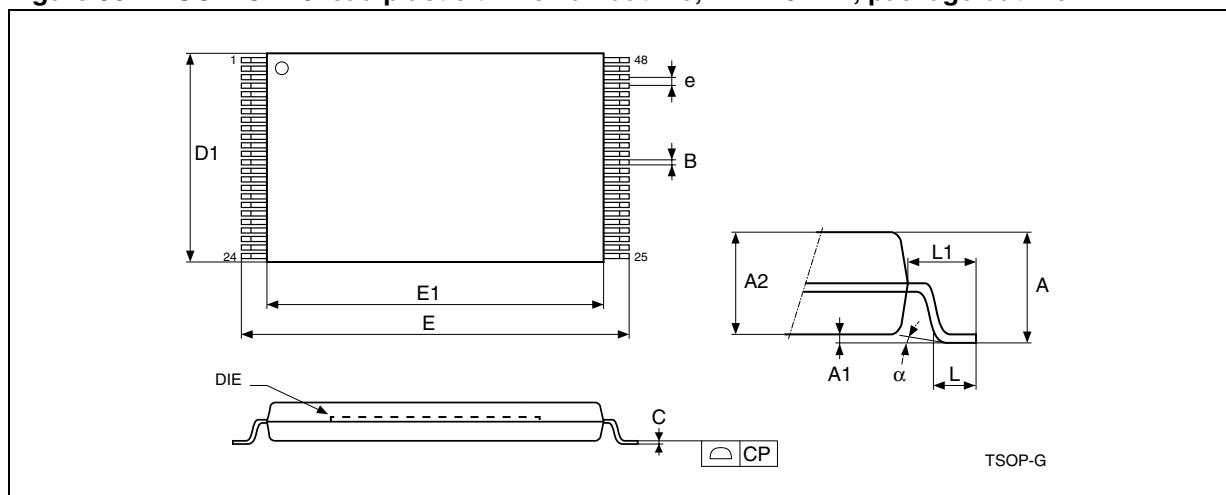


1. $T = 25^\circ\text{C}$.

13 Package mechanical

To meet environmental requirements, Numonyx offers the devices in ECOPACK® packages. ECOPACK packages are lead-free. In compliance with JEDEC Standard JESD97, the category of second level interconnect is marked on the package and on the inner box label. The maximum ratings related to soldering conditions are also marked on the inner box label.

Figure 36. TSOP48 - 48 lead plastic thin small outline, 12 x 20 mm, package outline



1. Drawing is not to scale.

Table 24. TSOP48 - 48 lead plastic thin small outline, 12 x 20 mm, package mechanical data

Symbol	Millimeters			Inches		
	Typ	Min	Max	Typ	Min	Max
A			1.200			0.0472
A1	0.100	0.050	0.150	0.0039	0.0020	0.0059
A2	1.000	0.950	1.050	0.0394	0.0374	0.0413
B	0.220	0.170	0.270	0.0087	0.0067	0.0106
C		0.100	0.210		0.0039	0.0083
CP			0.080			0.0031
D1	12.000	11.900	12.100	0.4724	0.4685	0.4764
E	20.000	19.800	20.200	0.7874	0.7795	0.7953
E1	18.400	18.300	18.500	0.7244	0.7205	0.7283
e	0.500	–	–	0.0197	–	
L	0.600	0.500	0.700	0.0236	0.0197	0.0276
L1	0.800			0.0315		
a	3°	0°	5°	3°	0°	5°

Figure 37. LGA52 12 x 17 mm, 1 mm pitch, package outline

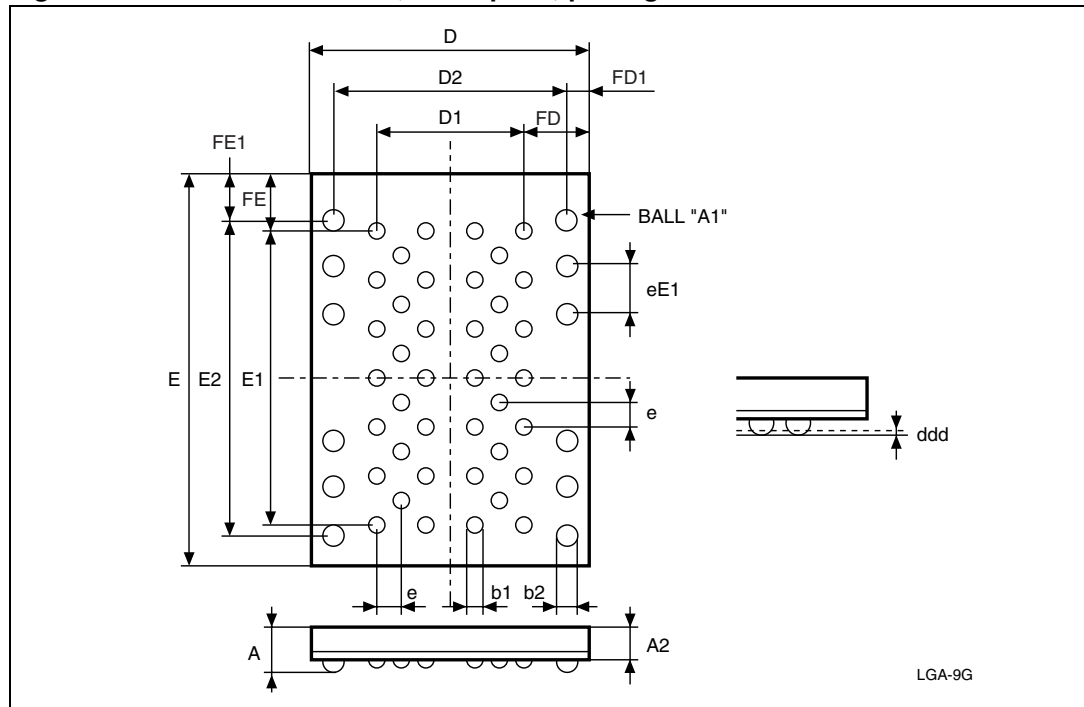


Table 25. LGA52 12 x 17 mm, 1 mm pitch, package mechanical data

Symbol	Millimeters			inches		
	Typ	Min	Max	Typ	Min	Max
A			0.650			0.0256
A2			0.650			0.0256
b1	0.700	0.650	0.750	0.0276	0.0256	0.0295
b2	1.000	0.950	1.050	0.0394	0.0374	0.0413
D	12.000	11.900	12.100	0.4724	0.4685	0.4764
D1	6.000			0.2362		
D2	10.000			0.3937		
ddd			0.100			0.0039
E	17.000	16.900	17.100	0.6693	0.6654	0.6732
E1	12.000			0.4724		
E2	13.000			0.5118		
e	1.000	–	–	0.0394	–	–
eE1	2.000	–	–	0.0787	–	–
FD	3.000			0.1181		
FD1	1.000			0.0394		
FE	2.500			0.0984		
FE1	2.000			0.0787		

14 Part numbering

Table 26. Ordering information scheme

Example:	NAND08G	W	3	C	2	B	N	1	E
Device type NAND Flash memory									
Density 08G = 8 Gbits 16G = 16 Gbits									
Operating voltage W = $V_{DD} = 2.7$ to 3.6 V									
Bus width 3 = x8									
Family identifier C = 2112 bytes page MLC									
Device options 2 = Chip Enable 'don't care' enabled 4 = Chip Enable 'don't care' enabled with 2 Chip Enable and 2 Ready/Busy signals									
Product version B = second version									
Package N = TSOP48 12 x 20 mm ZL = ULGA52 12 x 17 mm									
Temperature range 1 = 0 to 70 °C 6 = -40 to 85 °C									
Option E = ECOPACK® package, standard packing F = ECOPACK® package, tape and reel packing									

Devices are shipped from the factory with the memory content bits, in valid blocks, erased to '1'. For further information on any aspect of this device, please contact your nearest Numonyx sales office.

15 Revision history

Table 27. Document revision history

Date	Revision	Changes
25-Feb-2008	1	Initial release.
19-Mar-2008	2	Applied Numonyx branding.

Please Read Carefully:

INFORMATION IN THIS DOCUMENT IS PROVIDED IN CONNECTION WITH NUMONYX™ PRODUCTS. NO LICENSE, EXPRESS OR IMPLIED, BY ESTOPPEL OR OTHERWISE, TO ANY INTELLECTUAL PROPERTY RIGHTS IS GRANTED BY THIS DOCUMENT. EXCEPT AS PROVIDED IN NUMONYX'S TERMS AND CONDITIONS OF SALE FOR SUCH PRODUCTS, NUMONYX ASSUMES NO LIABILITY WHATSOEVER, AND NUMONYX DISCLAIMS ANY EXPRESS OR IMPLIED WARRANTY, RELATING TO SALE AND/OR USE OF NUMONYX PRODUCTS INCLUDING LIABILITY OR WARRANTIES RELATING TO FITNESS FOR A PARTICULAR PURPOSE, MERCHANTABILITY, OR INFRINGEMENT OF ANY PATENT, COPYRIGHT OR OTHER INTELLECTUAL PROPERTY RIGHT.

Numonyx products are not intended for use in medical, life saving, life sustaining, critical control or safety systems, or in nuclear facility applications.

Numonyx may make changes to specifications and product descriptions at any time, without notice.

Numonyx, B.V. may have patents or pending patent applications, trademarks, copyrights, or other intellectual property rights that relate to the presented subject matter. The furnishing of documents and other materials and information does not provide any license, express or implied, by estoppel or otherwise, to any such patents, trademarks, copyrights, or other intellectual property rights.

Designers must not rely on the absence or characteristics of any features or instructions marked "reserved" or "undefined." Numonyx reserves these for future definition and shall have no responsibility whatsoever for conflicts or incompatibilities arising from future changes to them.

Contact your local Numonyx sales office or your distributor to obtain the latest specifications and before placing your product order.

Copies of documents which have an order number and are referenced in this document, or other Numonyx literature may be obtained by visiting Numonyx's website at <http://www.numonyx.com>.

Numonyx StrataFlash is a trademark or registered trademark of Numonyx or its subsidiaries in the United States and other countries.

*Other names and brands may be claimed as the property of others.

Copyright © 11/5/7, Numonyx, B.V., All Rights Reserved.