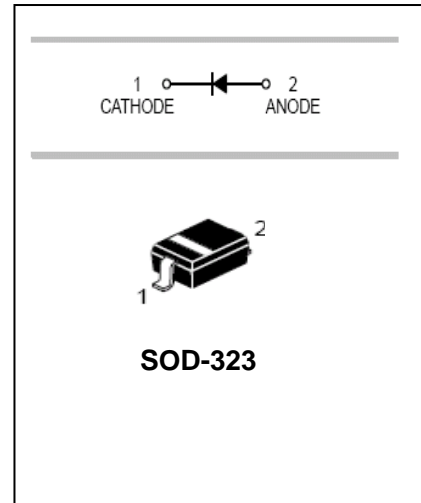


Schottky Barrier Diode

RB751V-40

FEATURES

- High current rectifier schottky diode.
- Low voltage;Low inductance.
- For power supply.



APPLICATIONS

- High frequency rectification.

ORDERING INFORMATION

Type No.	Marking	Package Code
RB751V-40	5	SOD-323

MAXIMUM RATING @ Ta=25°C unless otherwise specified

Parameter	Symbol	Limits	Unit
Peak reverse voltage	V_{RM}	40	V
DC reverse voltage	V_R	30	V
Mean rectifying current	I_O	0.03	A
Peak forward surge current	I_{FSM}	0.2	A
Junction temperature	T_j	125	°C
Storage temperature	T_{stg}	-40~+125	°C

ELECTRICAL CHARACTERISTICS @ Ta=25°C unless otherwise specified

Parameter	Symbol	Min.	Typ.	Max.	Unit	Conditions
Forward voltage	V_F			0.37	V	$I_F=1mA$
Reverse current	I_R			0.5	μA	$V_R=30v$
Capacitance between terminals	C_T		2		pF	$V_R=1V, f=1MHz$

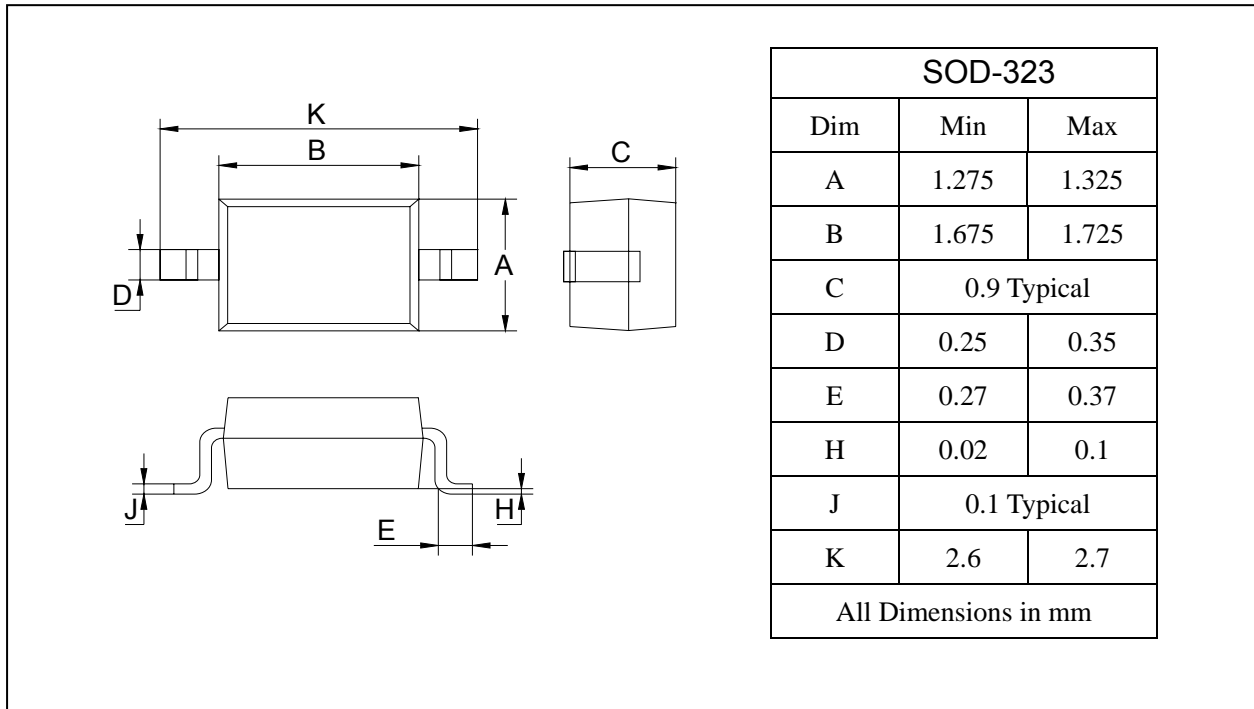
Schottky Barrier Diode

RB751V-40

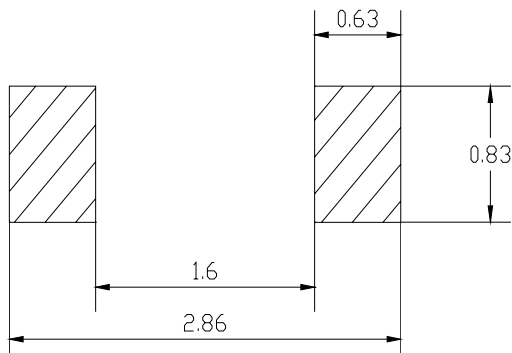
PACKAGE OUTLINE

Plastic surface mounted package

SOD-323



SOLDERING FOOTPRINT



Unit : mm

PACKAGE INFORMATION

Device	Package	Shipping
RB551V-30	SOD-323	3000/Tape&Reel