

CRYSTAL CONTROLLED OSCILLATORS

SURFACE MOUNT 3.3V LVCMOS TCXO



TFLB546G5

ABSOLUTE MAXIMUM RATINGS

TABLE 1.0

PARAMETER	UNITS	MINIMUM	NOMINAL	MAXIMUM	UNITS	NOTE
Storage Temperature		-40	-	85	°C	
Supply Voltage	(Vcc)	-0.5	-	7	Vdc	
Control Voltage	(Vc)	-0.5	-	7	Vdc	

OPERATING SPECIFICATIONS

TABLE 2.0

PARAMETER		MINIMUM	NOMINAL	MAXIMUM	UNITS	NOTE
Frequency Range	(Fo)	1.60	-	50.00	MHz	
Frequency Tolerance		-4.6	-	4.6	ppm	1
Operating Temperature Range		0	-	70	°C	
Supply Voltage	(Vcc)	3.135	3.3	3.465	Vdc	
Supply Current	(Icc)	-	8	20	mA	
Jitter (BW=10Hz to 20MHz)		-	-	5	ps rms	
Jitter (BW=12kHz to 20MHz)		-	-	1	ps rms	
SSB Phase Noise at 10Hz offset		-	-70	-	dBc/Hz	
SSB Phase Noise at 100Hz offset		-	-100	-	dBc/Hz	
SSB Phase Noise at 1KHz offset		-	-125	-	dBc/Hz	
SSB Phase Noise at 10KHz offset		-	-135	-	dBc/Hz	
SSB Phase Noise at 100KHz offset		-	-145	-	dBc/Hz	

LVCMOS OUTPUT CHARACTERISTICS

TABLE 4.0

PARAMETER		MINIMUM	NOMINAL	MAXIMUM	UNITS	NOTE
LOAD		-	-	15	pF	
Voltage (High)	(Voh)	2.2	2.4	-	Vdc	
(Low)	(Vol)	-	0.3	0.4	Vdc	
Current (High)	(Ioh)	-4	-	-	mA	
(Low)	(Iol)	-	-	4	mA	
Duty Cycle at 50% of Vcc		40	50	60	%	
Rise / Fall Time 10% to 90%		-	3	5	nS	

PACKAGE CHARACTERISTICS

TABLE 5.0

Package	Non-hermetic package consisting of an FR4 substrate with grounded metal cover.
---------	--

PROCESS RECOMMENDATIONS

TABLE 6.0

Solder Reflow	See Reflow Profile for recommended soldering temperatures.
Wash	Ultrasonic cleaning is not recommended.

Note:

- Inclusive of calibration, frequency vs. temperature stability, supply voltage change, load change, shock and vibration, 15 years aging.

DESCRIPTION

The Connor-Winfield TFLB546G5 is a Surface Mount Temperature Compensated Crystal Oscillator (TCXO). Operating at 3.3Vdc, the TFLB546G5 will maintain ± 4.6 ppm frequency tolerance over 15 years. The TFLB546G5 is offered in a surface mount package for automated assembly.

FEATURES

- 3.3V OPERATION
- OVERALL FREQUENCY TOLERANCE: ± 4.6 ppm OVER 15 YEARS.
- TEMPERATURE RANGE: 0 to 70°C
- LVCMOS OUTPUT LOGIC
- LOW JITTER <1ps RMS
- SURFACE MOUNT PACKAGE
- TAPE AND REEL PACKAGING
- RoHS 5/6 COMPLIANT

ORDERING INFORMATION

TFLB546G5 - 12.8MHz

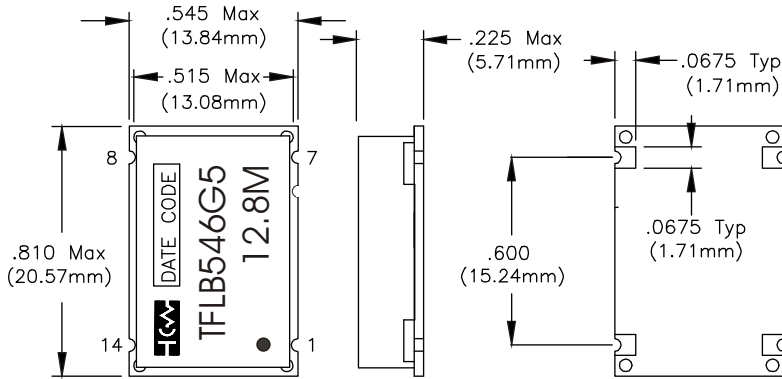
TCXO
SERIES

CENTER
FREQUENCY

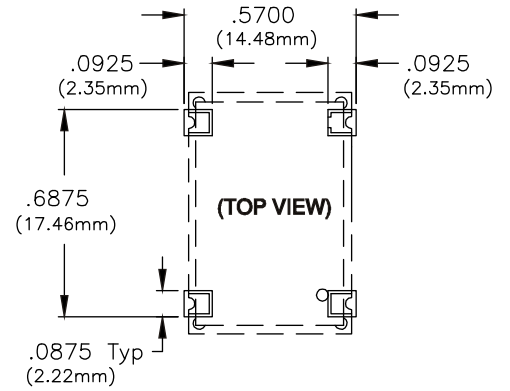
Specifications subject to change without notice.

CRYSTAL CONTROLLED OSCILLATORS

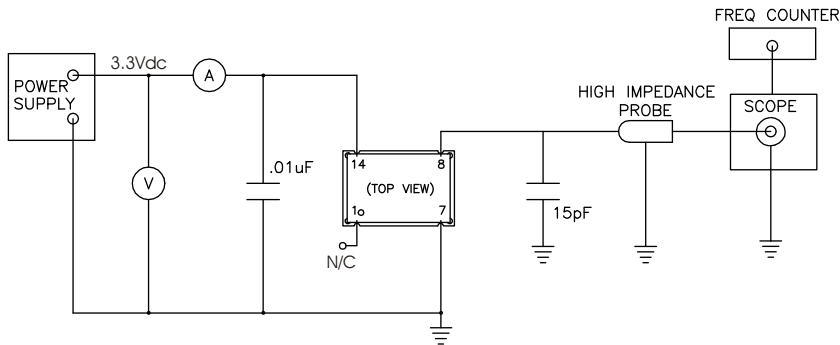
Package Layout



Suggested Pad Layout



Test Circuit



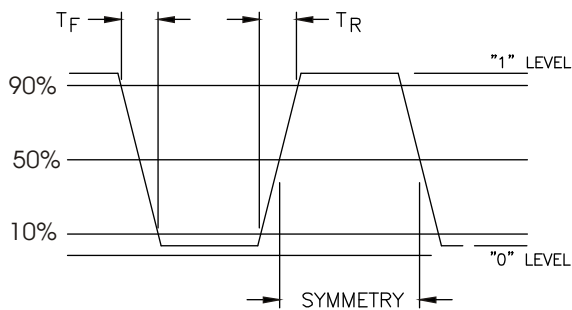
Pin Connections

TABLE 7.0

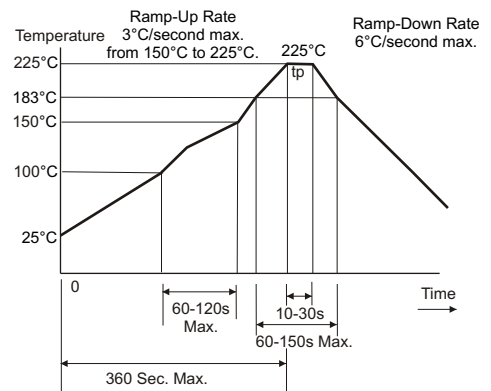
Pin	Connection
1	N/C
7	Ground
8	Output
14	Vcc

Dimensional Tolerance:
±.005 (.127mm)

Output Waveform



Reflow Profile



Specifications subject to change without notice.