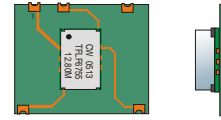


CRYSTAL CONTROLLED OSCILLATORS

SURFACE MOUNT 3.3V HCMOS TCXO



TFLF6755

ABSOLUTE MAXIMUM RATINGS

TABLE 1.0

PARAMETER	UNITS	MINIMUM	NOMINAL	MAXIMUM	UNITS	NOTE
Storage Temperature		-40	-	85	°C	
Supply Voltage	(Vcc)	-0.5	-	5.5	Vdc	

OPERATING SPECIFICATIONS

TABLE 2.0

PARAMETER		MINIMUM	NOMINAL	MAXIMUM	UNITS	NOTE
Frequency Range	(Fo)	-	12.80	-	MHz	
Frequency Accuracy @ 25°C Pre-Relow		-1.5	-	1.5	ppm	
Frequency Stability vs. Temperature		-0.28	-	0.28	ppm	
Frequency Stability vs. Supply Voltage		-0.05	-	0.05		
Total Frequency Tolerance		-4.0	-	4.0	ppm	1
Operating Temperature Range		0	-	70	°C	
Supply Voltage	(Vcc)	3.135	3.3	3.465	Vdc	
Supply Current	(Icc)	-	8	20	mA	
Jitter (BW=10Hz to 20MHz)		-	-	5	ps rms	
Jitter (BW=12kHz to 20MHz)		-	-	1	ps rms	
SSB Phase Noise at 10Hz offset		-	-70	-	dBc/Hz	
SSB Phase Noise at 100Hz offset		-	-100	-	dBc/Hz	
SSB Phase Noise at 1KHz offset		-	-125	-	dBc/Hz	
SSB Phase Noise at 10KHz offset		-	-135	-	dBc/Hz	
SSB Phase Noise at 100KHz offset		-	-145	-	dBc/Hz	

HCMOS OUTPUT CHARACTERISTICS

TABLE 3.0

PARAMETER		MINIMUM	NOMINAL	MAXIMUM	UNITS	NOTE
LOAD		-	-	15	pF	
Voltage (High)	(Voh)	2.4	-	-	Vdc	
(Low)	(Vol)	-	-	0.4	Vdc	
Current (High)	(Ioh)	-4	-	-	mA	
(Low)	(Iol)	-	-	4	mA	
Duty Cycle at 50% of Vcc		40	50	60	%	
Rise / Fall Time 10% to 90%		-	3	5	nS	

PACKAGE CHARACTERISTICS

TABLE 4.0

Package	Non-hermetic package consisting of an FR4 substrate with grounded metal cover.
---------	--

PROCESS RECOMMENDATIONS

TABLE 5.0

Solder Reflow	The component solder used internal to this device has a melting point of 221°C. The peak temperature inside the device should be less than or equal to 220°C for a maximum of 10 seconds
Wash	Ultrasonic cleaning is not recommended.

Note:

- Inclusive of calibration, frequency vs. temperature stability, supply voltage change, load change, shock and vibration and aging for twenty years.

DESCRIPTION

The Connor Winfield TFLF6755 is a Surface Mount Temperature Compensated Crystal Oscillator (TCXO). Operating at 3.3Vdc, the TFLF6755 will maintain ± 4.0 ppm frequency tolerance over 20 years. The TFLF6755 is offered in a surface mount package for automated assembly.

FEATURES

- 3.3V OPERATION
- FREQUENCY STABILITY: +/-0.28 PPM
- TEMPERATURE RANGE: 0 TO 70C
- OVERALL FREQUENCY TOLERANCE: +/-4.0PPM OVER 20 YEARS.
- LOW JITTER <1PS RMS
- SURFACE MOUNT PACKAGE
- TAPE AND REEL PACKAGING

ORDERING INFORMATION

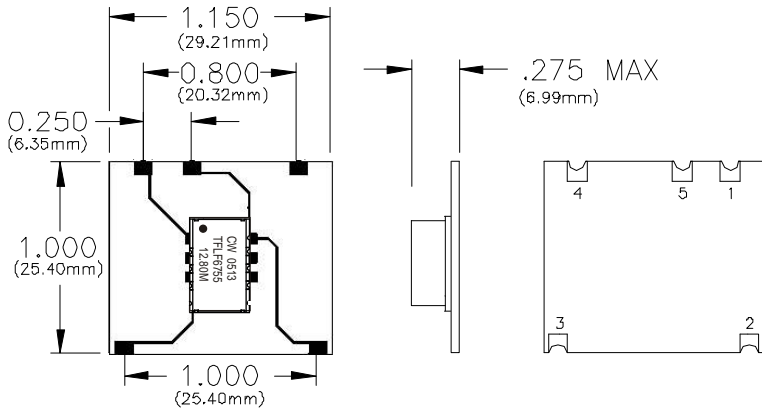
TFLF6755 - 12.800MHz

TCXO
SERIES

CENTER
FREQUENCY

Specifications subject to change without notice.

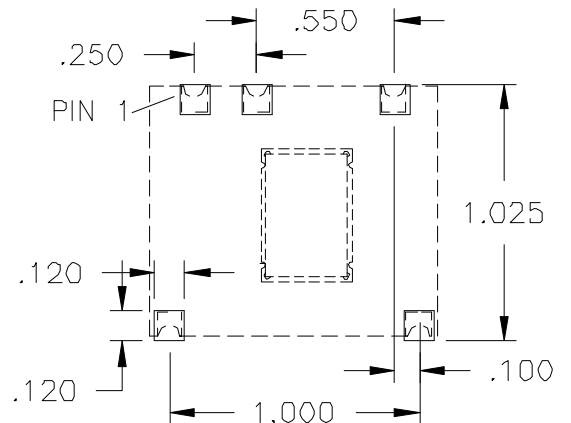
CRYSTAL CONTROLLED OSCILLATORS



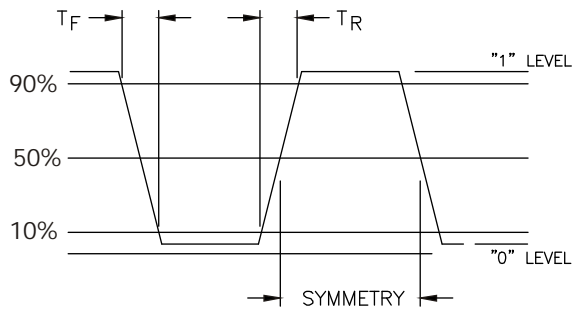
Pin	Connection
1	Output
2	Vcc
3	Ground
4	N/C
5	Ground

Dimensional Tolerance:
±.005 (.127mm)

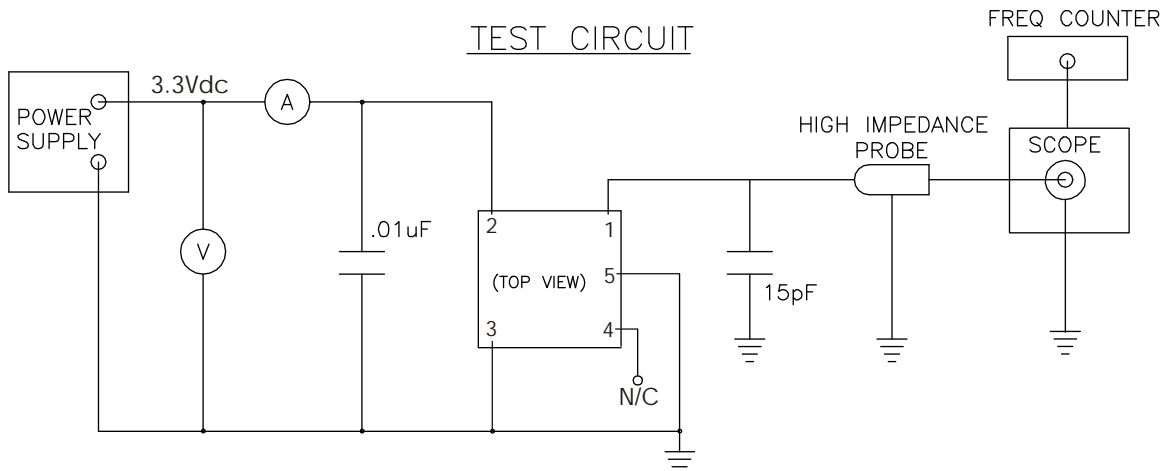
SUGGESTED PAD LAYOUT



OUTPUT WAVEFORM



TEST CIRCUIT



Specifications subject to change without notice.