

# DATA SHEET

## **74AHC573; 74AHCT573**

**Octal D-type transparent latch;  
3-state**

Product specification  
Supersedes data of 1999 Sep 27

2003 Dec 08

## Octal D-type transparent latch; 3-state

## 74AHC573; 74AHCT573

## FEATURES

- ESD protection:  
HBM EIA/JESD22-A114-A exceeds 2000 V  
MM EIA/JESD22-A115-A exceeds 200 V.
- Balanced propagation delays
- All inputs have Schmitt-trigger actions
- Common 3-state output enable input
- Functionally identical to the 74AHC/AHCT563 and 74AHC/AHCT373
- Inputs accepts voltages higher than  $V_{CC}$
- For AHC only: operates with CMOS input levels
- For AHCT only: operates with TTL input levels
- Specified from  $-40$  to  $+85$  °C and  $-40$  to  $+125$  °C.

## DESCRIPTION

The 74AHC/AHCT573 are high-speed Si-gate CMOS devices and are pin compatible with low power Schottky TTL (LSTTL). They are specified in compliance with JEDEC standard No. 7A.

The 74AHC/AHCT573 are octal D-type transparent latches featuring separate D-type inputs for each latch and 3-state outputs for bus oriented applications. A Latch Enable (LE) input and an Output Enable ( $\overline{OE}$ ) input are common to all latches.

The 74AHC/AHCT573 consists of eight D-type transparent latches with 3-state true outputs. When pin LE is HIGH, data at the Dn inputs enters the latches. In this condition the latches are transparent, i.e. a latch output will change state each time its corresponding D-input changes.

When pin LE is LOW the latches store the information that was present at the D-inputs a set-up time preceding the HIGH-to-LOW transition of LE. When pin  $\overline{OE}$  is LOW, the contents of the 8 latches are available at the outputs. When pin  $\overline{OE}$  is HIGH, the outputs go to the high-impedance OFF-state. Operation of the  $\overline{OE}$  input does not affect the state of the latches.

The 74AHC/AHCT573 is functionally identical to the 74AHC/AHCT533, 74AHC/AHCT563 and 74AHC/AHCT373, but the 74AHC/AHCT533 and 74AHC/AHCT563 have inverted outputs and the 74AHC/AHCT563 and 74AHC/AHCT373 have a different pin arrangement.

## QUICK REFERENCE DATA

GND = 0 V;  $T_{amb} = 25$  °C;  $t_r = t_f \leq 3.0$  ns.

SYMBOL	PARAMETER	CONDITIONS	TYPICAL		UNIT
			AHC	AHCT	
$t_{PHL}/t_{PLH}$	propagation delay Dn to Qn; LE to Qn	$C_L = 15$ pF; $V_{CC} = 5$ V	3.9	3.5	ns
$C_I$	input capacitance	$V_I = V_{CC}$ or GND	3.0	3.0	pF
$C_O$	output capacitance		4.0	4.0	pF
$C_{PD}$	power dissipation capacitance	$C_L = 50$ pF; $f = 1$ MHz; notes 1 and 2	12	18	pF

## Notes

1.  $C_{PD}$  is used to determine the dynamic power dissipation ( $P_D$  in  $\mu$ W).

$$P_D = C_{PD} \times V_{CC}^2 \times f_i \times N + \Sigma(C_L \times V_{CC}^2 \times f_o) \text{ where:}$$

$f_i$  = input frequency in MHz;

$f_o$  = output frequency in MHz;

$C_L$  = output load capacitance in pF;

$V_{CC}$  = supply voltage in Volts;

$N$  = total load switching outputs;

$\Sigma(C_L \times V_{CC}^2 \times f_o)$  = sum of the outputs.

2. The condition is  $V_I = \text{GND}$  to  $V_{CC}$ .

## Octal D-type transparent latch; 3-state

## 74AHC573; 74AHCT573

**FUNCTION TABLE**

See note 1.

OPERATING MODE	INPUT			INTERNAL LATCH	OUTPUT
	$\overline{OE}$	LE	Dn		Q0 to Q7
Enable and read register (transparent mode)	L	H	L	L	L
	L	H	H	H	H
Latch and read register	L	L	l	L	L
	L	L	h	H	H
Latch register and disable outputs	H	L	l	L	Z
	H	L	h	H	Z

**Note**

- H = HIGH voltage level;  
h = HIGH voltage level one set-up time prior to the HIGH-to-LOW LE transition;  
L = LOW voltage level;  
l = LOW voltage level one set-up time prior to the HIGH-to-LOW LE transition;  
Z = high-impedance OFF-state.

**ORDERING INFORMATION**

TYPE NUMBER	PACKAGE			
	PINS	PACKAGE	MATERIAL	CODE
74AHC573D	20	SO20	plastic	SOT163-1
74AHCT573D	20	SO20	plastic	SOT163-1
74AHC573PW	20	TSSOP20	plastic	SOT360-1
74AHCT573PW	20	TSSOP20	plastic	SOT360-1

Octal D-type transparent latch; 3-state

74AHC573; 74AHCT573

PINNING

PIN	SYMBOL	DESCRIPTION
1	$\overline{OE}$	3-state output enable input (active LOW)
2	D0	data input
3	D1	data input
4	D2	data input
5	D3	data input
6	D4	data input
7	D5	data input
8	D6	data input
9	D7	data input
10	GND	ground (0 V)
11	LE	latch enable input (active HIGH)
12	Q7	3-state latch output
13	Q6	3-state latch output
14	Q5	3-state latch output
15	Q4	3-state latch output
16	Q3	3-state latch output
17	Q2	3-state latch output
18	Q1	3-state latch output
19	Q0	3-state latch output
20	V <sub>CC</sub>	supply voltage

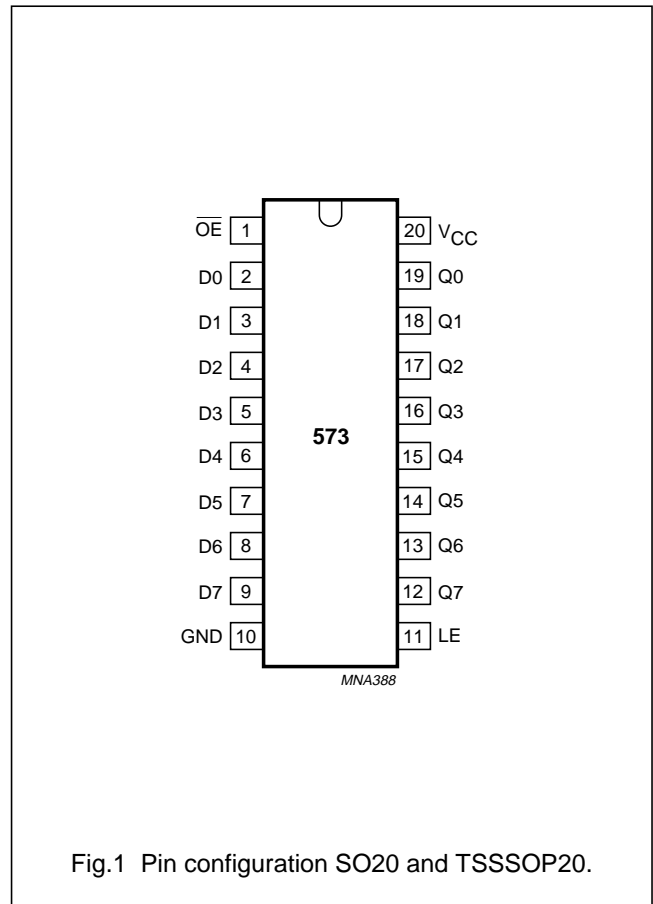


Fig.1 Pin configuration SO20 and TSSOP20.

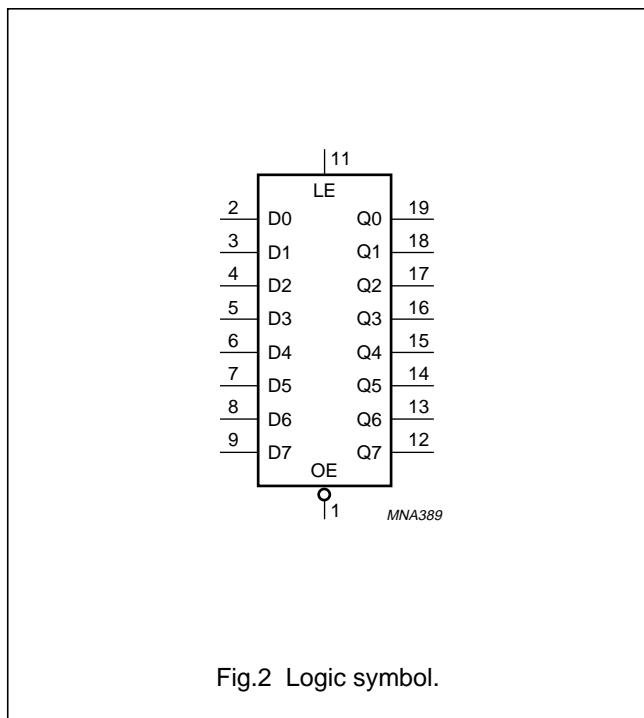


Fig.2 Logic symbol.

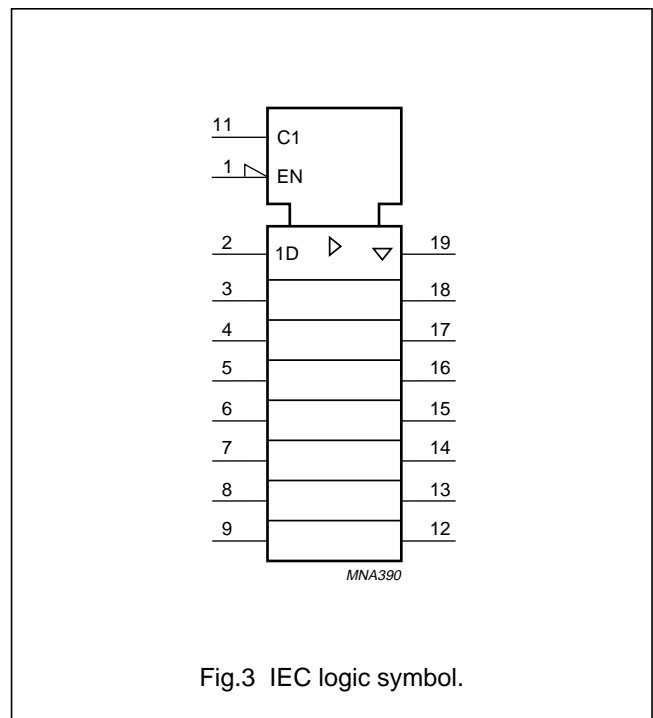


Fig.3 IEC logic symbol.

Octal D-type transparent latch; 3-state

74AHC573; 74AHCT573

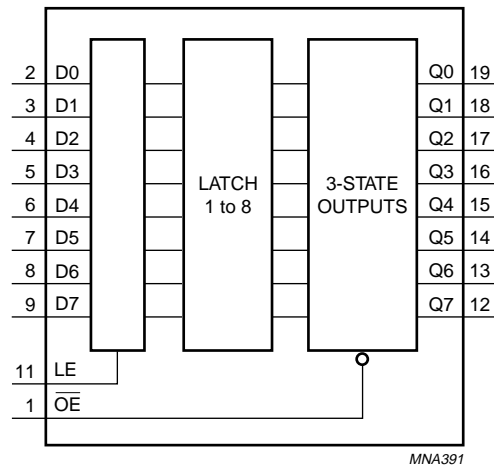


Fig.4 Functional diagram.

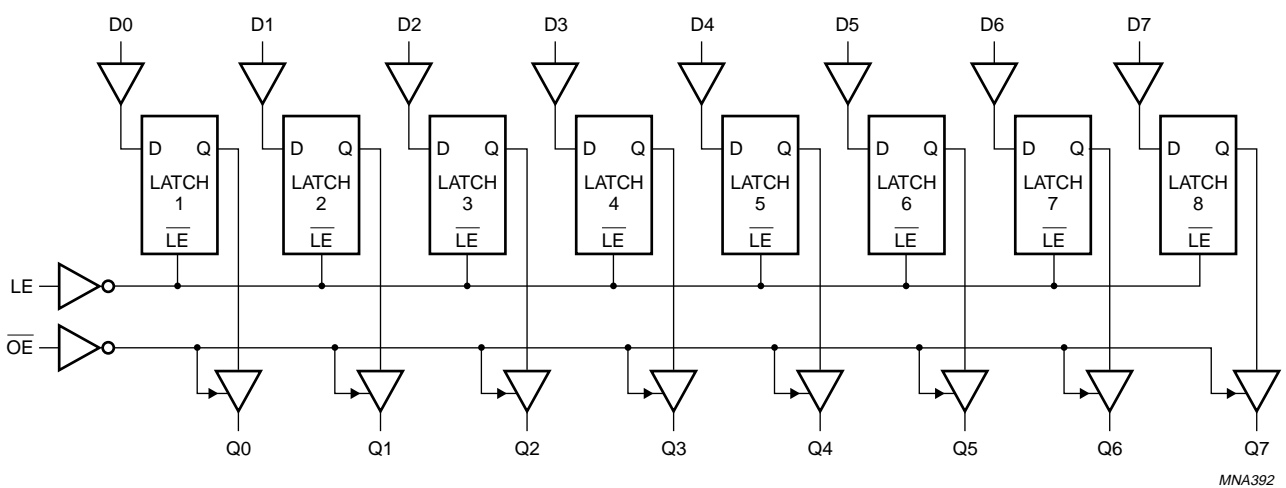


Fig.5 Logic diagram.

## Octal D-type transparent latch; 3-state

## 74AHC573; 74AHCT573

## RECOMMENDED OPERATING CONDITIONS

SYMBOL	PARAMETER	CONDITIONS	74AHC			74AHCT			UNIT
			MIN.	TYP.	MAX.	MIN.	TYP.	MAX.	
$V_{CC}$	supply voltage		2.0	5.0	5.5	4.5	5.0	5.5	V
$V_I$	input voltage		0	–	5.5	0	–	5.5	V
$V_O$	output voltage		0	–	$V_{CC}$	0	–	$V_{CC}$	V
$T_{amb}$	operating ambient temperature	see DC and AC characteristics per device	–40	+25	+85	–40	+25	+85	°C
			–40	+25	+125	–40	+25	+125	°C
$t_r, t_f$	input rise and fall rates	$V_{CC} = 3.3\text{ V} \pm 0.3\text{ V}$	–	–	100	–	–	–	ns/V
		$V_{CC} = 5\text{ V} \pm 0.5\text{ V}$	–	–	20	–	–	20	ns/V

## LIMITING VALUES

In accordance with the Absolute Maximum Rating System (IEC 60134); voltages are referenced to GND (ground = 0 V).

SYMBOL	PARAMETER	CONDITIONS	MIN.	MAX.	UNIT
$V_{CC}$	supply voltage		–0.5	+7.0	V
$V_I$	input voltage		–0.5	+7.0	V
$I_{IK}$	input diode current	$V_I < -0.5\text{ V}$ ; note 1	–	–20	mA
$I_{OK}$	output diode current	$V_O < -0.5\text{ V}$ or $V_O > V_{CC} + 0.5\text{ V}$ ; note 1	–	$\pm 20$	mA
$I_O$	output source or sink current	$-0.5\text{ V} < V_O < V_{CC} + 0.5\text{ V}$	–	$\pm 25$	mA
$I_{CC}$	$V_{CC}$ or GND current		–	$\pm 75$	mA
$T_{stg}$	storage temperature		–65	+150	°C
$P_{tot}$	power dissipation	$T_{amb} = -40\text{ to }+125\text{ °C}$ ; note 2	–	500	mW

## Notes

- The input and output voltage ratings may be exceeded if the input and output current ratings are observed.
- For SO20 packages: above 70 °C the value of  $P_{tot}$  derates linearly with 8 mW/K.  
For TSSOP20 packages: above 60 °C the value of  $P_{tot}$  derates linearly with 5.5 mW/K.

## Octal D-type transparent latch; 3-state

## 74AHC573; 74AHCT573

## DC CHARACTERISTICS

## 74AHC type

At recommended operating conditions; voltages are referenced to GND (ground = 0 V).

SYMBOL	PARAMETER	TEST CONDITIONS		MIN.	TYP.	MAX.	UNIT
		OTHER	V <sub>CC</sub> (V)				
<b>T<sub>amb</sub> = 25 °C</b>							
V <sub>IH</sub>	HIGH-level input voltage		2.0	1.5	–	–	V
			3.0	2.1	–	–	V
			5.5	3.85	–	–	V
V <sub>IL</sub>	LOW-level input voltage		2.0	–	–	0.5	V
			3.0	–	–	0.9	V
			5.5	–	–	1.65	V
V <sub>OH</sub>	HIGH-level output voltage	V <sub>I</sub> = V <sub>IH</sub> or V <sub>IL</sub> I <sub>O</sub> = –50 µA	2.0	1.9	2.0	–	V
		I <sub>O</sub> = –50 µA	3.0	2.9	3.0	–	V
		I <sub>O</sub> = –50 µA	4.5	4.4	4.5	–	V
		I <sub>O</sub> = –4.0 mA	3.0	2.58	–	–	V
		I <sub>O</sub> = –8.0 mA	4.5	3.94	–	–	V
V <sub>OL</sub>	LOW-level output voltage	V <sub>I</sub> = V <sub>IH</sub> or V <sub>IL</sub> I <sub>O</sub> = 50 µA	2.0	–	0	0.1	V
		I <sub>O</sub> = 50 µA	3.0	–	0	0.1	V
		I <sub>O</sub> = 50 µA	4.5	–	0	0.1	V
		I <sub>O</sub> = 4.0 mA	3.0	–	–	0.36	V
		I <sub>O</sub> = 8.0 mA	4.5	–	–	0.36	V
I <sub>LI</sub>	input leakage current	V <sub>I</sub> = V <sub>CC</sub> or GND	5.5	–	–	0.1	µA
I <sub>oz</sub>	3-state output OFF current	V <sub>I</sub> = V <sub>IH</sub> or V <sub>IL</sub> ; V <sub>O</sub> = V <sub>CC</sub> or GND	5.5	–	–	±0.25	µA
I <sub>CC</sub>	quiescent supply current	V <sub>I</sub> = V <sub>CC</sub> or GND; I <sub>O</sub> = 0	5.5	–	–	4.0	µA
C <sub>I</sub>	input capacitance		–	–	3	10	pF

## Octal D-type transparent latch; 3-state

## 74AHC573; 74AHCT573

SYMBOL	PARAMETER	TEST CONDITIONS		MIN.	TYP.	MAX.	UNIT
		OTHER	V <sub>CC</sub> (V)				
<b>T<sub>amb</sub> = -40 to +85 °C</b>							
V <sub>IH</sub>	HIGH-level input voltage		2.0	1.5	–	–	V
			3.0	2.1	–	–	V
			5.5	3.85	–	–	V
V <sub>IL</sub>	LOW-level input voltage		2.0	–	–	0.5	V
			3.0	–	–	0.9	V
			5.5	–	–	1.65	V
V <sub>OH</sub>	HIGH-level output voltage	V <sub>I</sub> = V <sub>IH</sub> or V <sub>IL</sub> I <sub>O</sub> = -50 µA	2.0	1.9	–	–	V
		I <sub>O</sub> = -50 µA	3.0	2.9	–	–	V
		I <sub>O</sub> = -50 µA	4.5	4.4	–	–	V
		I <sub>O</sub> = -4.0 mA	3.0	2.48	–	–	V
		I <sub>O</sub> = -8.0 mA	4.5	3.8	–	–	V
V <sub>OL</sub>	LOW-level output voltage	V <sub>I</sub> = V <sub>IH</sub> or V <sub>IL</sub> I <sub>O</sub> = 50 µA	2.0	–	–	0.1	V
		I <sub>O</sub> = 50 µA	3.0	–	–	0.1	V
		I <sub>O</sub> = 50 µA	4.5	–	–	0.1	V
		I <sub>O</sub> = 4.0 mA	3.0	–	–	0.44	V
		I <sub>O</sub> = 8.0 mA	4.5	–	–	0.44	V
I <sub>LI</sub>	input leakage current	V <sub>I</sub> = V <sub>CC</sub> or GND	5.5	–	–	1.0	µA
I <sub>OZ</sub>	3-state output OFF current	V <sub>I</sub> = V <sub>IH</sub> or V <sub>IL</sub> ; V <sub>O</sub> = V <sub>CC</sub> or GND	5.5	–	–	±2.5	µA
I <sub>CC</sub>	quiescent supply current	V <sub>I</sub> = V <sub>CC</sub> or GND; I <sub>O</sub> = 0	5.5	–	–	40	µA
C <sub>I</sub>	input capacitance		–	–	–	10	pF



## Octal D-type transparent latch; 3-state

## 74AHC573; 74AHCT573

SYMBOL	PARAMETER	TEST CONDITIONS		MIN.	TYP.	MAX.	UNIT
		OTHER	V <sub>CC</sub> (V)				
<b>T<sub>amb</sub> = -40 to +125 °C</b>							
V <sub>IH</sub>	HIGH-level input voltage		2.0	1.5	–	–	V
			3.0	2.1	–	–	V
			5.5	3.85	–	–	V
V <sub>IL</sub>	LOW-level input voltage		2.0	–	–	0.5	V
			3.0	–	–	0.9	V
			5.5	–	–	1.65	V
V <sub>OH</sub>	HIGH-level output voltage	V <sub>I</sub> = V <sub>IH</sub> or V <sub>IL</sub> I <sub>O</sub> = -50 µA	2.0	1.9	1.9	–	V
		I <sub>O</sub> = -50 µA	3.0	2.9	2.9	–	V
		I <sub>O</sub> = -50 µA	4.5	4.4	4.4	–	V
		I <sub>O</sub> = -4.0 mA	3.0	2.48	2.48	–	V
		I <sub>O</sub> = -8.0 mA	4.5	3.8	3.8	–	V
V <sub>OL</sub>	LOW-level output voltage	V <sub>I</sub> = V <sub>IH</sub> or V <sub>IL</sub> I <sub>O</sub> = 50 µA	2.0	–	–	–	V
		I <sub>O</sub> = 50 µA	3.0	–	–	0.1	V
		I <sub>O</sub> = 50 µA	4.5	–	–	0.1	V
		I <sub>O</sub> = 4.0 mA	3.0	–	–	0.1	V
		I <sub>O</sub> = 8.0 mA	4.5	–	–	0.44	V
I <sub>LI</sub>	input leakage current	V <sub>I</sub> = V <sub>CC</sub> or GND	5.5	–	–	2.0	µA
I <sub>OZ</sub>	3-state output OFF current	V <sub>I</sub> = V <sub>IH</sub> or V <sub>IL</sub> ; V <sub>O</sub> = V <sub>CC</sub> or GND	5.5	–	–	±10.0	µA
I <sub>CC</sub>	quiescent supply current	V <sub>I</sub> = V <sub>CC</sub> or GND; I <sub>O</sub> = 0	5.5	–	–	80	µA
C <sub>I</sub>	input capacitance		–	–	–	10	pF

## Octal D-type transparent latch; 3-state

## 74AHC573; 74AHCT573

**74AHCT type**

At recommended operating conditions; voltages are referenced to GND (ground = 0 V).

SYMBOL	PARAMETER	TEST CONDITIONS		MIN.	TYP.	MAX.	UNIT
		OTHER	V <sub>CC</sub> (V)				
<b>T<sub>amb</sub> = 25 °C</b>							
V <sub>IH</sub>	HIGH-level input voltage		4.5 to 5.5	2.0	–	–	V
V <sub>IL</sub>	LOW-level input voltage		4.5 to 5.5	–	–	0.8	V
V <sub>OH</sub>	HIGH-level output voltage	V <sub>I</sub> = V <sub>IH</sub> or V <sub>IL</sub> I <sub>O</sub> = –50 µA	4.5	4.4	4.5	–	V
		I <sub>O</sub> = –8.0 mA	4.5	3.94	–	V	
V <sub>OL</sub>	LOW-level output voltage	V <sub>I</sub> = V <sub>IH</sub> or V <sub>IL</sub> I <sub>O</sub> = 50 µA	4.5	–	0	0.1	V
		I <sub>O</sub> = 8.0 mA	4.5	–	–	0.36	V
I <sub>LI</sub>	input leakage current	V <sub>I</sub> = V <sub>IH</sub> or V <sub>IL</sub>	5.5	–	–	0.1	µA
I <sub>OZ</sub>	3-state output OFF current	V <sub>I</sub> = V <sub>IH</sub> or V <sub>IL</sub> ; V <sub>O</sub> = V <sub>CC</sub> or GND per input pin; other inputs at V <sub>CC</sub> or GND; I <sub>O</sub> = 0	5.5	–	–	±0.25	µA
I <sub>CC</sub>	quiescent supply current	V <sub>I</sub> = V <sub>CC</sub> or GND; I <sub>O</sub> = 0	5.5	–	–	4.0	µA
ΔI <sub>CC</sub>	additional quiescent supply current per input pin	V <sub>I</sub> = V <sub>CC</sub> – 2.1 V; other inputs at V <sub>CC</sub> or GND; I <sub>O</sub> = 0	4.5 to 5.5	–	–	1.35	mA
C <sub>I</sub>	input capacitance		–	–	3	10	pF
<b>T<sub>amb</sub> = –40 to +85 °C</b>							
V <sub>IH</sub>	HIGH-level input voltage		4.5 to 5.5	2.0	–	–	V
V <sub>IL</sub>	LOW-level input voltage		4.5 to 5.5	–	–	0.8	V
V <sub>OH</sub>	HIGH-level output voltage	V <sub>I</sub> = V <sub>IH</sub> or V <sub>IL</sub> I <sub>O</sub> = –50 µA	4.5	4.4	–	–	V
		I <sub>O</sub> = –8.0 mA	4.5	3.8	–	V	
V <sub>OL</sub>	LOW-level output voltage	V <sub>I</sub> = V <sub>IH</sub> or V <sub>IL</sub> I <sub>O</sub> = 50 µA	4.5	–	–	0.1	V
		I <sub>O</sub> = 8.0 mA	4.5	–	–	0.44	V
I <sub>LI</sub>	input leakage current	V <sub>I</sub> = V <sub>IH</sub> or V <sub>IL</sub>	5.5	–	–	1.0	µA
I <sub>OZ</sub>	3-state output OFF current	V <sub>I</sub> = V <sub>IH</sub> or V <sub>IL</sub> ; V <sub>O</sub> = V <sub>CC</sub> or GND per input pin; other inputs at V <sub>CC</sub> or GND; I <sub>O</sub> = 0	5.5	–	–	±2.5	µA
I <sub>CC</sub>	quiescent supply current	V <sub>I</sub> = V <sub>CC</sub> or GND; I <sub>O</sub> = 0	5.5	–	–	40	µA
ΔI <sub>CC</sub>	additional quiescent supply current per input pin	V <sub>I</sub> = V <sub>CC</sub> – 2.1 V; other inputs at V <sub>CC</sub> or GND; I <sub>O</sub> = 0	4.5 to 5.5	–	–	1.5	mA
C <sub>I</sub>	input capacitance		–	–	–	10	pF

## Octal D-type transparent latch; 3-state

## 74AHC573; 74AHCT573

SYMBOL	PARAMETER	TEST CONDITIONS		MIN.	TYP.	MAX.	UNIT
		OTHER	V <sub>CC</sub> (V)				
<b>T<sub>amb</sub> = -40 to +125 °C</b>							
V <sub>IH</sub>	HIGH-level input voltage		4.5 to 5.5	2.0	–	–	V
V <sub>IL</sub>	LOW-level input voltage		4.5 to 5.5	–	–	0.8	V
V <sub>OH</sub>	HIGH-level output voltage	V <sub>I</sub> = V <sub>IH</sub> or V <sub>IL</sub> I <sub>O</sub> = -50 µA	4.5	4.4	–	–	V
		I <sub>O</sub> = -8.0 mA	4.5	3.70	–	–	V
V <sub>OL</sub>	LOW-level output voltage	V <sub>I</sub> = V <sub>IH</sub> or V <sub>IL</sub> I <sub>O</sub> = 50 µA	4.5	–	–	0.1	V
		I <sub>O</sub> = 8.0 mA	4.5	–	–	0.55	V
I <sub>LI</sub>	input leakage current	V <sub>I</sub> = V <sub>IH</sub> or V <sub>IL</sub>	5.5	–	–	2.0	µA
I <sub>OZ</sub>	3-state output OFF current	V <sub>I</sub> = V <sub>IH</sub> or V <sub>IL</sub> ; V <sub>O</sub> = V <sub>CC</sub> or GND per input pin; other inputs at V <sub>CC</sub> or GND; I <sub>O</sub> = 0	5.5	–	–	±10.0	µA
I <sub>CC</sub>	quiescent supply current	V <sub>I</sub> = V <sub>CC</sub> or GND; I <sub>O</sub> = 0	5.5	–	–	80	µA
ΔI <sub>CC</sub>	additional quiescent supply current per input pin	V <sub>I</sub> = V <sub>CC</sub> - 2.1 V; other inputs at V <sub>CC</sub> or GND; I <sub>O</sub> = 0	4.5 to 5.5	–	–	1.5	mA
C <sub>I</sub>	input capacitance		–	–	–	10	pF

## Octal D-type transparent latch; 3-state

## 74AHC573; 74AHCT573

## AC CHARACTERISTICS

## 74AHC573

GND = 0 V;  $t_r = t_f \leq 3.0$  ns.

SYMBOL	PARAMETER	TEST CONDITIONS		MIN.	TYP.	MAX.	UNIT
		WAVEFORMS	$C_L$ (pF)				
<b><math>V_{CC} = 3.0</math> to <math>3.6</math> V</b>							
<b><math>T_{amb} = 25</math> °C; note 1</b>							
$t_{PHL}/t_{PLH}$	propagation delay Dn to Qn	see Figs 6 and 10	15	–	5.5	11.0	ns
	propagation delay LE to Qn	see Figs 7 and 10	15	–	5.8	11.9	ns
$t_{PZH}/t_{PZL}$	propagation delay $\overline{OE}$ to Qn	see Figs 9 and 10	15	–	5.8	11.5	ns
$t_{PHZ}/t_{PLZ}$	propagation delay $\overline{OE}$ to Qn	see Figs 9 and 10	15	–	6.8	11.0	ns
$t_{PHL}/t_{PLH}$	propagation delay Dn to Qn	see Figs 6 and 10	50	–	7.8	14.5	ns
	propagation delay LE to Qn	see Figs 7 and 10	50	–	8.3	15.4	ns
$t_{PZH}/t_{PZL}$	propagation delay $\overline{OE}$ to Qn	see Figs 9 and 10	50	–	8.3	15.0	ns
$t_{PHZ}/t_{PLZ}$	propagation delay $\overline{OE}$ to Qn	see Figs 9 and 10	50	–	9.7	14.5	ns
$t_W$	enable pulse width HIGH	see Figs 7 and 10	50	5.0	–	–	ns
$t_{su}$	set-up time Dn to LE	see Fig.8	50	3.5	–	–	ns
$t_h$	hold time Dn to LE	see Fig.8	50	1.5	–	–	ns
<b><math>T_{amb} = -40</math> to <math>+85</math> °C</b>							
$t_{PHL}/t_{PLH}$	propagation delay Dn to Qn	see Figs 6 and 10	15	1.0	–	13.0	ns
	propagation delay LE to Qn	see Figs 7 and 10	15	1.0	–	14.0	ns
$t_{PZH}/t_{PZL}$	propagation delay $\overline{OE}$ to Qn	see Figs 9 and 10	15	1.0	–	13.5	ns
$t_{PHZ}/t_{PLZ}$	propagation delay $\overline{OE}$ to Qn	see Figs 9 and 10	15	1.0	–	13.0	ns
$t_{PHL}/t_{PLH}$	propagation delay Dn to Qn	see Figs 6 and 10	50	1.0	–	16.5	ns
	propagation delay LE to Qn	see Figs 7 and 10	50	1.0	–	17.5	ns
$t_{PZH}/t_{PZL}$	propagation delay $\overline{OE}$ to Qn	see Figs 9 and 10	50	1.0	–	17.0	ns
$t_{PHZ}/t_{PLZ}$	propagation delay $\overline{OE}$ to Qn	see Figs 9 and 10	50	1.0	–	16.5	ns
$t_W$	enable pulse width HIGH	see Figs 7 and 10	50	5.0	–	–	ns
$t_{su}$	set-up time Dn to LE	see Fig.8	50	3.5	–	–	ns
$t_h$	hold time Dn to LE	see Fig.8	50	1.5	–	–	ns

## Octal D-type transparent latch; 3-state

## 74AHC573; 74AHCT573

SYMBOL	PARAMETER	TEST CONDITIONS		MIN.	TYP.	MAX.	UNIT
		WAVEFORMS	C <sub>L</sub> (pF)				
<b>T<sub>amb</sub> = -40 to +125 °C</b>							
t <sub>PHL</sub> /t <sub>PLH</sub>	propagation delay Dn to Qn	see Figs 6 and 10	15	1.0	–	14.0	ns
	propagation delay LE to Qn	see Figs 7 and 10	15	1.0	–	15.0	ns
t <sub>PZH</sub> /t <sub>PZL</sub>	propagation delay $\overline{OE}$ to Qn	see Figs 9 and 10	15	1.0	–	14.5	ns
t <sub>PHZ</sub> /t <sub>PLZ</sub>	propagation delay $\overline{OE}$ to Qn	see Figs 9 and 10	15	1.0	–	14.0	ns
t <sub>PHL</sub> /t <sub>PLH</sub>	propagation delay Dn to Qn	see Figs 6 and 10	50	1.0	–	18.5	ns
	propagation delay LE to Qn	see Figs 7 and 10	50	1.0	–	19.5	ns
t <sub>PZH</sub> /t <sub>PZL</sub>	propagation delay $\overline{OE}$ to Qn	see Figs 9 and 10	50	1.0	–	19.0	ns
t <sub>PHZ</sub> /t <sub>PLZ</sub>	propagation delay $\overline{OE}$ to Qn	see Figs 9 and 10	50	1.0	–	18.5	ns
t <sub>W</sub>	enable pulse width HIGH	see Figs 7 and 10	50	5.0	–	–	ns
t <sub>su</sub>	set-up time Dn to LE	see Fig.8	50	3.5	–	–	ns
t <sub>h</sub>	hold time Dn to LE	see Fig.8	50	1.5	–	–	ns
<b>V<sub>CC</sub> = 4.5 to 5.5 V</b>							
<b>T<sub>amb</sub> = 25 °C; note 2</b>							
t <sub>PHL</sub> /t <sub>PLH</sub>	propagation delay Dn to Qn	see Figs 6 and 10	15	–	3.9	6.8	ns
	propagation delay LE to Qn	see Figs 7 and 10	15	–	4.2	7.7	ns
t <sub>PZH</sub> /t <sub>PZL</sub>	propagation delay $\overline{OE}$ to Qn	see Figs 9 and 10	15	–	4.4	7.7	ns
t <sub>PHZ</sub> /t <sub>PLZ</sub>	propagation delay $\overline{OE}$ to Qn	see Figs 9 and 10	15	–	4.6	7.7	ns
t <sub>PHL</sub> /t <sub>PLH</sub>	propagation delay Dn to Qn	see Figs 6 and 10	50	–	5.5	8.8	ns
	propagation delay LE to Qn	see Figs 7 and 10	50	–	5.9	9.7	ns
t <sub>PZH</sub> /t <sub>PZL</sub>	propagation delay $\overline{OE}$ to Qn	see Figs 9 and 10	50	–	6.3	9.7	ns
t <sub>PHZ</sub> /t <sub>PLZ</sub>	propagation delay $\overline{OE}$ to Qn	see Figs 9 and 10	50	–	7.4	9.7	ns
t <sub>W</sub>	enable pulse width HIGH	see Figs 7 and 10	50	5.0	–	–	ns
t <sub>su</sub>	set-up time Dn to LE	see Fig.8	50	3.5	–	–	ns
t <sub>h</sub>	hold time Dn to LE	see Fig.8	50	1.5	–	–	ns
<b>T<sub>amb</sub> = -40 to +85 °C</b>							
t <sub>PHL</sub> /t <sub>PLH</sub>	propagation delay Dn to Qn	see Figs 6 and 10	15	1.0	–	8.0	ns
	propagation delay LE to Qn	see Figs 7 and 10	15	1.0	–	9.0	ns
t <sub>PZH</sub> /t <sub>PZL</sub>	propagation delay $\overline{OE}$ to Qn	see Figs 9 and 10	15	1.0	–	9.0	ns
t <sub>PHZ</sub> /t <sub>PLZ</sub>	propagation delay $\overline{OE}$ to Qn	see Figs 9 and 10	15	1.0	–	9.0	ns
t <sub>PHL</sub> /t <sub>PLH</sub>	propagation delay Dn to Qn	see Figs 6 and 10	50	1.0	–	10.0	ns
	propagation delay LE to Qn	see Figs 7 and 10	50	1.0	–	11.0	ns
t <sub>PZH</sub> /t <sub>PZL</sub>	propagation delay $\overline{OE}$ to Qn	see Figs 9 and 10	50	1.0	–	11.0	ns
t <sub>PHZ</sub> /t <sub>PLZ</sub>	propagation delay $\overline{OE}$ to Qn	see Figs 9 and 10	50	1.0	–	11.0	ns
t <sub>W</sub>	enable pulse width HIGH	see Figs 7 and 10	50	5.0	–	–	ns
t <sub>su</sub>	set-up time Dn to LE	see Fig.8	50	3.5	–	–	ns
t <sub>h</sub>	hold time Dn to LE	see Fig.8	50	1.5	–	–	ns

## Octal D-type transparent latch; 3-state

## 74AHC573; 74AHCT573

SYMBOL	PARAMETER	TEST CONDITIONS		MIN.	TYP.	MAX.	UNIT
		WAVEFORMS	C <sub>L</sub> (pF)				
<b>T<sub>amb</sub> = -40 to +125 °C</b>							
t <sub>PHL</sub> /t <sub>PLH</sub>	propagation delay Dn to Qn	see Figs 6 and 10	15	1.0	–	8.5	ns
	propagation delay LE to Qn	see Figs 7 and 10	15	1.0	–	10.0	ns
t <sub>PZH</sub> /t <sub>PZL</sub>	propagation delay $\overline{OE}$ to Qn	see Figs 9 and 10	15	1.0	–	10.0	ns
t <sub>PHZ</sub> /t <sub>PLZ</sub>	propagation delay $\overline{OE}$ to Qn	see Figs 9 and 10	15	1.0	–	10.0	ns
t <sub>PHL</sub> /t <sub>PLH</sub>	propagation delay Dn to Qn2	see Figs 6 and 10	50	1.0	–	11.0	ns
	propagation delay LE to Qn	see Figs 7 and 10	50	1.0	–	12.5	ns
t <sub>PZH</sub> /t <sub>PZL</sub>	propagation delay $\overline{OE}$ to Qn	see Figs 9 and 10	50	1.0	–	12.5	ns
t <sub>PHZ</sub> /t <sub>PLZ</sub>	propagation delay $\overline{OE}$ to Qn	see Figs 9 and 10	50	1.0	–	12.5	ns
t <sub>W</sub>	enable pulse width HIGH	see Figs 7 and 10	50	5.0	–	–	ns
t <sub>su</sub>	set-up time Dn to LE	see Fig.8	50	3.5	–	–	ns
t <sub>h</sub>	hold time Dn to LE	see Fig.8	50	1.5	–	–	ns

**Notes**

1. Typical values at V<sub>CC</sub> = 3.3 V.
2. Typical values at V<sub>CC</sub> = 5.0 V.

## Octal D-type transparent latch; 3-state

## 74AHC573; 74AHCT573

**74AHCT573**GND = 0 V;  $t_r = t_f \leq 3.0$  ns.

SYMBOL	PARAMETER	TEST CONDITIONS		MIN.	TYP.	MAX.	UNIT
		WAVEFORMS	$C_L$ (pF)				
<b><math>V_{CC} = 4.5</math> to <math>5.5</math> V; note 1</b>							
<b><math>T_{amb} = 25</math> °C</b>							
$t_{PHL}/t_{PLH}$	propagation delay Dn to Qn	see Figs 6 and 10	15	–	3.5	5.5	ns
	propagation delay LE to Qn	see Figs 7 and 10	15	–	3.9	6.0	ns
$t_{PZH}/t_{PZL}$	propagation delay $\overline{OE}$ to Qn	see Figs 9 and 10	15	–	4.1	6.5	ns
$t_{PHZ}/t_{PLZ}$	propagation delay $\overline{OE}$ to Qn	see Figs 9 and 10	15	–	4.5	6.5	ns
$t_{PHL}/t_{PLH}$	propagation delay Dn to Qn	see Figs 6 and 10	50	–	4.9	7.5	ns
	propagation delay LE to Qn	see Figs 7 and 10	50	–	5.5	8.5	ns
$t_{PZH}/t_{PZL}$	propagation delay $\overline{OE}$ to Qn	see Figs 9 and 10	50	–	5.9	8.5	ns
$t_{PHZ}/t_{PLZ}$	propagation delay $\overline{OE}$ to Qn	see Figs 9 and 10	50	–	6.4	9.0	ns
$t_W$	enable pulse width HIGH	see Figs 7 and 9	50	5.0	–	–	ns
$t_{su}$	set-up time Dn to LE	see Fig.8	50	3.5	–	–	ns
$t_h$	hold time Dn to LE	see Fig.8	50	1.5	–	–	ns
<b><math>T_{amb} = -40</math> to <math>+85</math> °C</b>							
$t_{PHL}/t_{PLH}$	propagation delay Dn to Qn	see Figs 6 and 10	15	1	–	6.5	ns
	propagation delay LE to Qn	see Figs 7 and 10	15	1	–	7.0	ns
$t_{PZH}/t_{PZL}$	propagation delay $\overline{OE}$ to Qn	see Figs 9 and 10	15	1	–	7.5	ns
$t_{PHZ}/t_{PLZ}$	propagation delay $\overline{OE}$ to Qn	see Figs 9 and 10	15	1	–	7.5	ns
$t_{PHL}/t_{PLH}$	propagation delay Dn to Qn	see Figs 6 and 10	50	1	–	8.5	ns
	propagation delay LE to Qn	see Figs 7 and 10	50	1	–	9.5	ns
$t_{PZH}/t_{PZL}$	propagation delay $\overline{OE}$ to Qn	see Figs 9 and 10	50	1	–	10.0	ns
$t_{PHZ}/t_{PLZ}$	propagation delay $\overline{OE}$ to Qn	see Figs 9 and 10	50	1	–	10.0	ns
$t_W$	enable pulse width HIGH	see Figs 7 and 9	50	5.0	–	–	ns
$t_{su}$	set-up time Dn to LE	see Fig.8	50	3.5	–	–	ns
$t_h$	hold time Dn to LE	see Fig.8	50	1.5	–	–	ns

## Octal D-type transparent latch; 3-state

## 74AHC573; 74AHCT573

SYMBOL	PARAMETER	TEST CONDITIONS		MIN.	TYP.	MAX.	UNIT
		WAVEFORMS	C <sub>L</sub> (pF)				
<b>T<sub>amb</sub> = -40 to +125 °C</b>							
t <sub>PHL</sub> /t <sub>PLH</sub>	propagation delay Dn to Qn	see Figs 6 and 10	15	1	–	7.0	ns
	propagation delay LE to Qn	see Figs 7 and 10	15	1	–	7.5	ns
t <sub>PZH</sub> /t <sub>PZL</sub>	propagation delay $\overline{OE}$ to Qn	see Figs 9 and 10	15	1	–	8.5	ns
t <sub>PHZ</sub> /t <sub>PLZ</sub>	propagation delay $\overline{OE}$ to Qn	see Figs 9 and 10	15	1	–	8.5	ns
t <sub>PHL</sub> /t <sub>PLH</sub>	propagation delay Don to Qn	see Figs 6 and 10	50	1	–	9.5	ns
	propagation delay LE to Qn	see Figs 7 and 10	50	1	–	11.0	ns
t <sub>PZH</sub> /t <sub>PZL</sub>	propagation delay $\overline{OE}$ to Qn	see Figs 9 and 10	50	1	–	11.0	ns
t <sub>PHZ</sub> /t <sub>PLZ</sub>	propagation delay $\overline{OE}$ to Qn	see Figs 9 and 10	50	1	–	11.5	ns
t <sub>W</sub>	enable pulse width HIGH	see Figs 7 and 9	50	5.0	–	–	ns
t <sub>su</sub>	set-up time Dn to LE	see Fig.8	50	3.5	–	–	ns
t <sub>h</sub>	hold time Dn to LE	see Fig.8	50	1.5	–	–	ns

**Note**

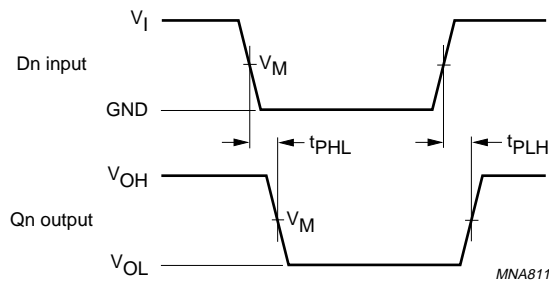
1. Typical values at V<sub>CC</sub> = 5.0 V.



Octal D-type transparent latch; 3-state

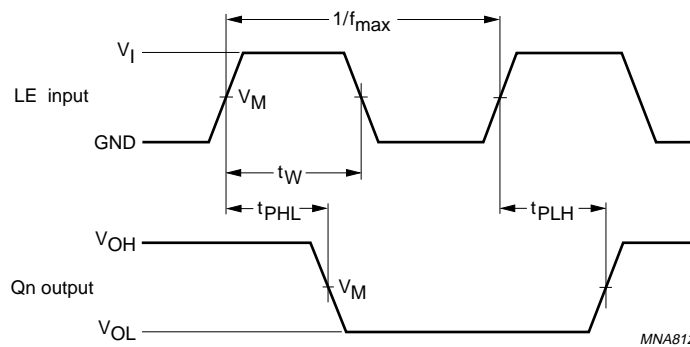
74AHC573; 74AHCT573

AC WAVEFORMS



FAMILY	V <sub>I</sub> INPUT REQUIREMENTS	V <sub>M</sub> INPUT	V <sub>M</sub> OUTPUT
AHC	GND to V <sub>CC</sub>	50% V <sub>CC</sub>	50% V <sub>CC</sub>
AHCT	GND to 3.0 V	1.5 V	50% V <sub>CC</sub>

Fig.6 The data input (Dn) to output (Qn) propagation delays.

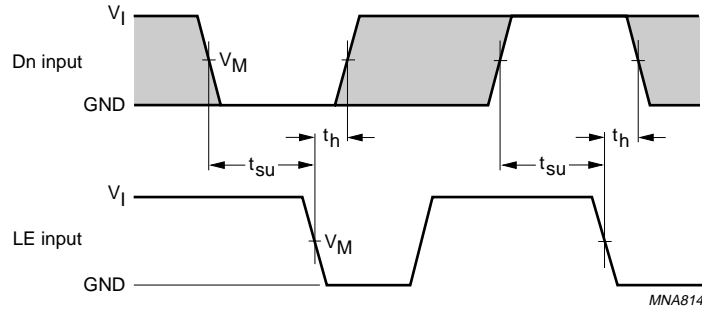


FAMILY	V <sub>I</sub> INPUT REQUIREMENTS	V <sub>M</sub> INPUT	V <sub>M</sub> OUTPUT
AHC	GND to V <sub>CC</sub>	50% V <sub>CC</sub>	50% V <sub>CC</sub>
AHCT	GND to 3.0 V	1.5 V	50% V <sub>CC</sub>

Fig.7 The latch enable input (LE) pulse width, the latch enable input to output (Qn) propagation delays.

Octal D-type transparent latch; 3-state

74AHC573; 74AHCT573

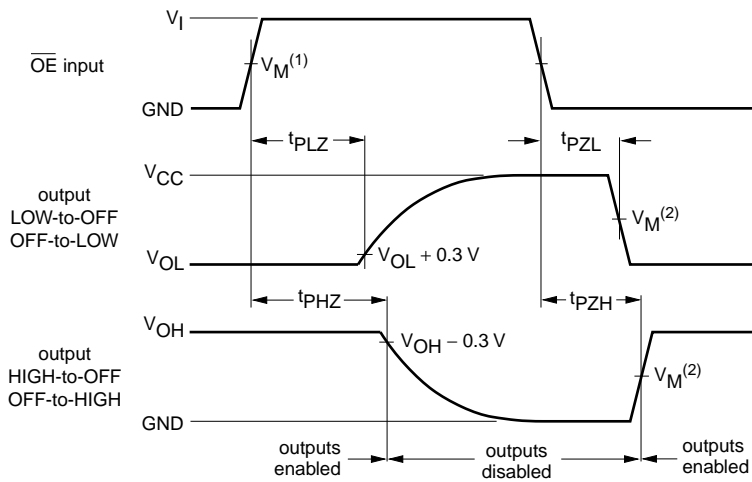


MNA814

FAMILY	$V_I$ INPUT REQUIREMENTS	$V_M$ INPUT
AHC	GND to $V_{CC}$	50% $V_{CC}$
AHCT	GND to 3.0 V	1.5 V

The shaded areas indicate when the input is permitted to change for predictable output performance.

Fig.8 Data set-up and hold times for the Dn input to the LE input.



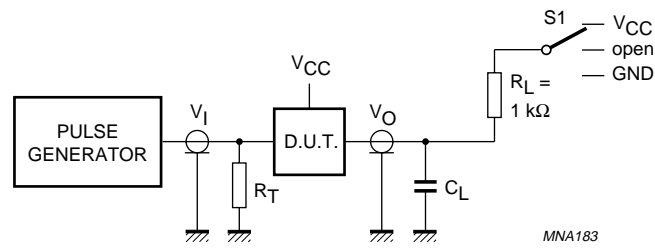
MNA450

FAMILY	$V_I$ INPUT REQUIREMENTS	$V_M^{(1)}$ INPUT	$V_M^{(2)}$ OUTPUT
AHC	GND to $V_{CC}$	50% $V_{CC}$	50% $V_{CC}$
AHCT	GND to 3.0 V	1.5 V	50% $V_{CC}$

Fig.9 The 3-state enable and disable times.

Octal D-type transparent latch; 3-state

74AHC573; 74AHCT573



MNA183

TEST	S1
$t_{PLH}/t_{PHL}$	open
$t_{PLZ}/t_{PZL}$	V <sub>CC</sub>
$t_{PHZ}/t_{PZH}$	GND

Definitions for test circuit:

R<sub>L</sub> = Load resistor.

C<sub>L</sub> = Load capacitance including jig and probe capacitance.

R<sub>T</sub> = Termination resistance should be equal to the output impedance Z<sub>o</sub> of the pulse generator.

Fig.10 Load circuitry for switching times.

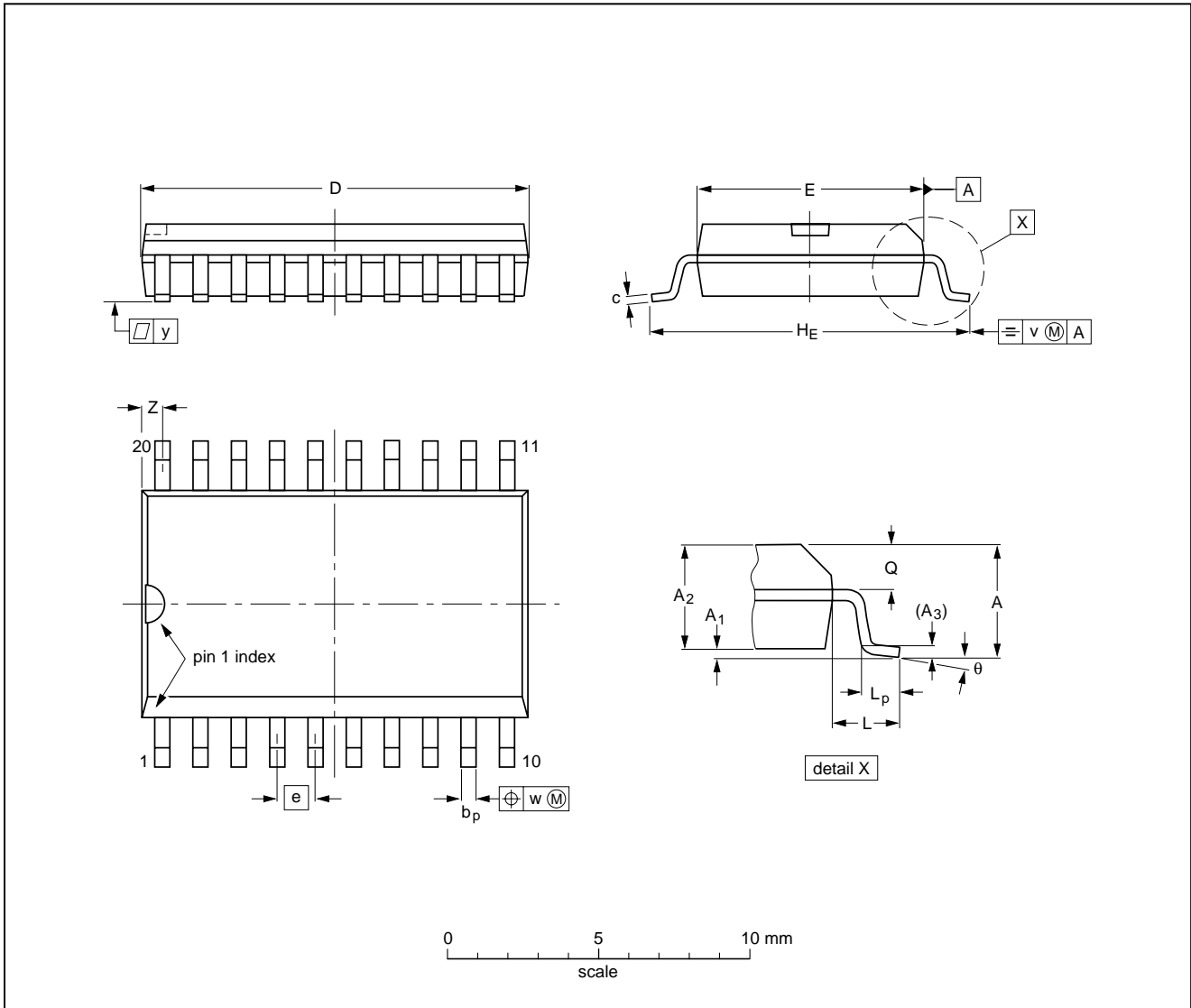
Octal D-type transparent latch; 3-state

74AHC573; 74AHCT573

PACKAGE OUTLINES

SO20: plastic small outline package; 20 leads; body width 7.5 mm

SOT163-1



DIMENSIONS (inch dimensions are derived from the original mm dimensions)

UNIT	A max.	A <sub>1</sub>	A <sub>2</sub>	A <sub>3</sub>	b <sub>p</sub>	c	D <sup>(1)</sup>	E <sup>(1)</sup>	e	H <sub>E</sub>	L	L <sub>p</sub>	Q	v	w	y	z <sup>(1)</sup>	θ
mm	2.65	0.3 0.1	2.45 2.25	0.25	0.49 0.36	0.32 0.23	13.0 12.6	7.6 7.4	1.27	10.65 10.00	1.4	1.1 0.4	1.1 1.0	0.25	0.25	0.1	0.9 0.4	8° 0°
inches	0.1	0.012 0.004	0.096 0.089	0.01	0.019 0.014	0.013 0.009	0.51 0.49	0.30 0.29	0.05	0.419 0.394	0.055	0.043 0.016	0.043 0.039	0.01	0.01	0.004	0.035 0.016	

Note

1. Plastic or metal protrusions of 0.15 mm (0.006 inch) maximum per side are not included.

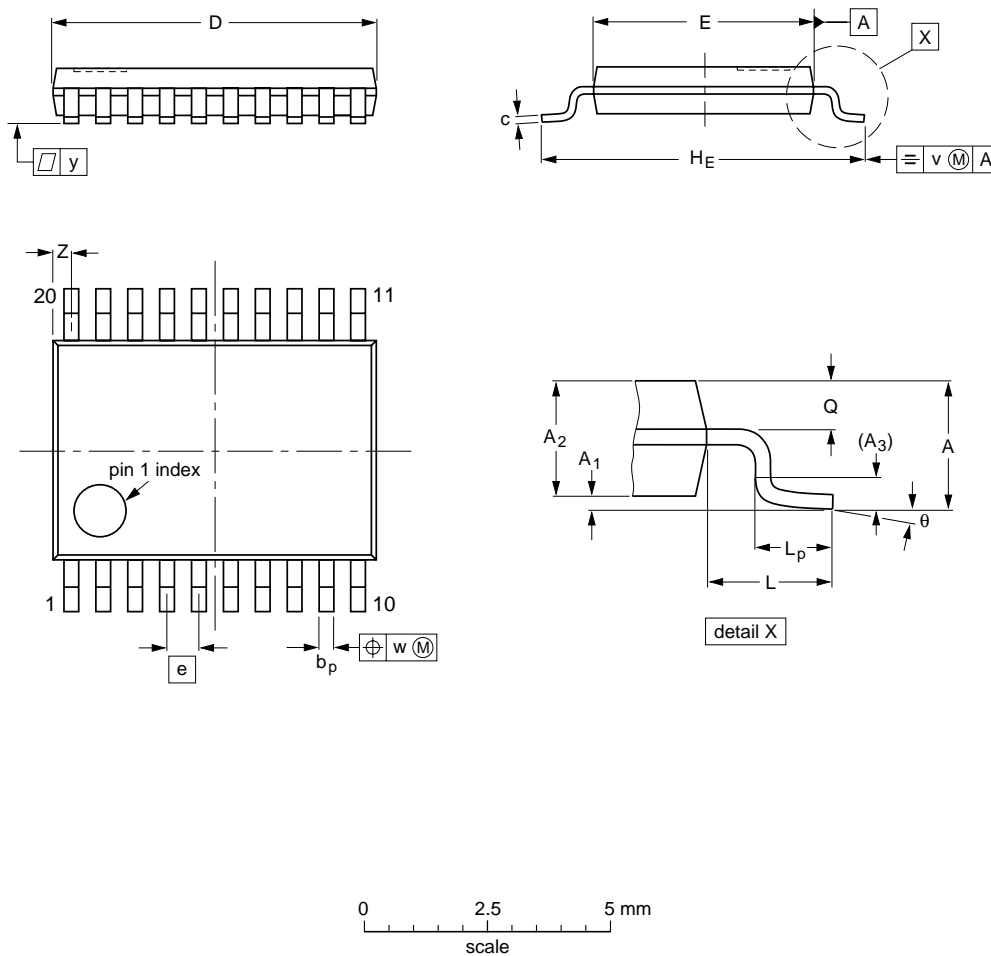
OUTLINE VERSION	REFERENCES				EUROPEAN PROJECTION	ISSUE DATE
	IEC	JEDEC	JEITA			
SOT163-1	075E04	MS-013				99-12-27 03-02-19

Octal D-type transparent latch; 3-state

74AHC573; 74AHCT573

TSSOP20: plastic thin shrink small outline package; 20 leads; body width 4.4 mm

SOT360-1



**DIMENSIONS (mm are the original dimensions)**

UNIT	A max.	A <sub>1</sub>	A <sub>2</sub>	A <sub>3</sub>	b <sub>p</sub>	c	D <sup>(1)</sup>	E <sup>(2)</sup>	e	H <sub>E</sub>	L	L <sub>p</sub>	Q	v	w	y	z <sup>(1)</sup>	$\theta$
mm	1.1	0.15 0.05	0.95 0.80	0.25	0.30 0.19	0.2 0.1	6.6 6.4	4.5 4.3	0.65	6.6 6.2	1	0.75 0.50	0.4 0.3	0.2	0.13	0.1	0.5 0.2	8° 0°

**Notes**

1. Plastic or metal protrusions of 0.15 mm maximum per side are not included.
2. Plastic interlead protrusions of 0.25 mm maximum per side are not included.

OUTLINE VERSION	REFERENCES				EUROPEAN PROJECTION	ISSUE DATE
	IEC	JEDEC	JEITA			
SOT360-1		MO-153				99-12-27 03-02-19

## Octal D-type transparent latch; 3-state

## 74AHC573; 74AHCT573

## DATA SHEET STATUS

LEVEL	DATA SHEET STATUS <sup>(1)</sup>	PRODUCT STATUS <sup>(2)(3)</sup>	DEFINITION
I	Objective data	Development	This data sheet contains data from the objective specification for product development. Philips Semiconductors reserves the right to change the specification in any manner without notice.
II	Preliminary data	Qualification	This data sheet contains data from the preliminary specification. Supplementary data will be published at a later date. Philips Semiconductors reserves the right to change the specification without notice, in order to improve the design and supply the best possible product.
III	Product data	Production	This data sheet contains data from the product specification. Philips Semiconductors reserves the right to make changes at any time in order to improve the design, manufacturing and supply. Relevant changes will be communicated via a Customer Product/Process Change Notification (CPCN).

## Notes

1. Please consult the most recently issued data sheet before initiating or completing a design.
2. The product status of the device(s) described in this data sheet may have changed since this data sheet was published. The latest information is available on the Internet at URL <http://www.semiconductors.philips.com>.
3. For data sheets describing multiple type numbers, the highest-level product status determines the data sheet status.

## DEFINITIONS

**Short-form specification** — The data in a short-form specification is extracted from a full data sheet with the same type number and title. For detailed information see the relevant data sheet or data handbook.

**Limiting values definition** — Limiting values given are in accordance with the Absolute Maximum Rating System (IEC 60134). Stress above one or more of the limiting values may cause permanent damage to the device. These are stress ratings only and operation of the device at these or at any other conditions above those given in the Characteristics sections of the specification is not implied. Exposure to limiting values for extended periods may affect device reliability.

**Application information** — Applications that are described herein for any of these products are for illustrative purposes only. Philips Semiconductors make no representation or warranty that such applications will be suitable for the specified use without further testing or modification.

## DISCLAIMERS

**Life support applications** — These products are not designed for use in life support appliances, devices, or systems where malfunction of these products can reasonably be expected to result in personal injury. Philips Semiconductors customers using or selling these products for use in such applications do so at their own risk and agree to fully indemnify Philips Semiconductors for any damages resulting from such application.

**Right to make changes** — Philips Semiconductors reserves the right to make changes in the products - including circuits, standard cells, and/or software - described or contained herein in order to improve design and/or performance. When the product is in full production (status 'Production'), relevant changes will be communicated via a Customer Product/Process Change Notification (CPCN). Philips Semiconductors assumes no responsibility or liability for the use of any of these products, conveys no licence or title under any patent, copyright, or mask work right to these products, and makes no representations or warranties that these products are free from patent, copyright, or mask work right infringement, unless otherwise specified.

# *Philips Semiconductors – a worldwide company*

## **Contact information**

For additional information please visit <http://www.semiconductors.philips.com>. Fax: +31 40 27 24825

For sales offices addresses send e-mail to: [sales.addresses@www.semiconductors.philips.com](mailto:sales.addresses@www.semiconductors.philips.com).

© Koninklijke Philips Electronics N.V. 2003

SCA75

All rights are reserved. Reproduction in whole or in part is prohibited without the prior written consent of the copyright owner.

The information presented in this document does not form part of any quotation or contract, is believed to be accurate and reliable and may be changed without notice. No liability will be accepted by the publisher for any consequence of its use. Publication thereof does not convey nor imply any license under patent- or other industrial or intellectual property rights.

Printed in The Netherlands

R44/02/pp23

Date of release: 2003 Dec 08

Document order number: 9397 750 12156

*Let's make things better.*

**Philips  
Semiconductors**



**PHILIPS**