

TECHNICAL DESCRIPTION / APPLICATION

MULTI-MIX[®] FILTERS

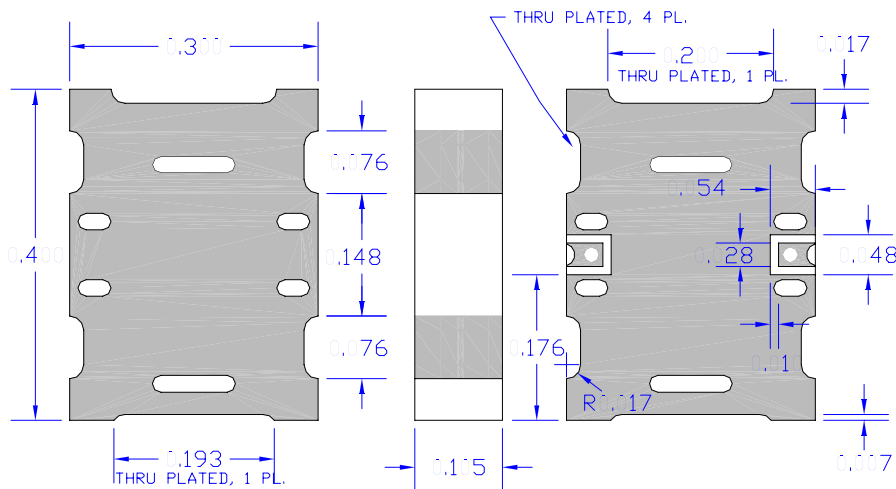
Merrimac's FBGC Series filters allow very wide stopband rejection to be achieved in very small enclosures without the appearance of reentrant spurious passbands. In addition, they require no tuning once incorporated in a circuit, making their already economical design even more cost-effective, especially in high-volume production. The FBGC Series filters incorporate all of the advantages provided by Merrimac's patented Multi-Mix[®] multilayer fabrication process, and are an excellent choice for applications in which size and weight are critical.



GENERAL SPECIFICATIONS

| FILTER TYPE | CENTER FREQUENCY | 3 dB OPERATING BANDWIDTH (MHz MIN) | INSERTION LOSS @ CENTER FREQUENCY (dB MAX) | REJECTION | VSWR (MAX) |
|-----------------|---------------------|------------------------------------|--|---|------------------------|
| BANDPASS | 1400 MHz Nominal | 600 | 1.0 | -15 dB MIN. @ 700 MHz -20 dB MIN. (3.0-13.0 GHz) | 2.0:1 @ 1400 ± 250 MHz |
| POWER (CW TYP.) | SIZE (INCHES) | WEIGHT (GRAMS/OZ.) | RF INTERFACE/ CONNECTIONS | OPERATING TEMPERATURE | |
| 40.0 dBm | 0.40 x 0.35 x 0.105 | 0.45 / 0.02 | SMT | -55° - +85° C | |

PACKAGE OUTLINE



NOTES:
 1. ALL DIMENSIONS ARE IN INCHES.
 2. TOLERANCES: -3 PLACE DECIMALS; ±.005.

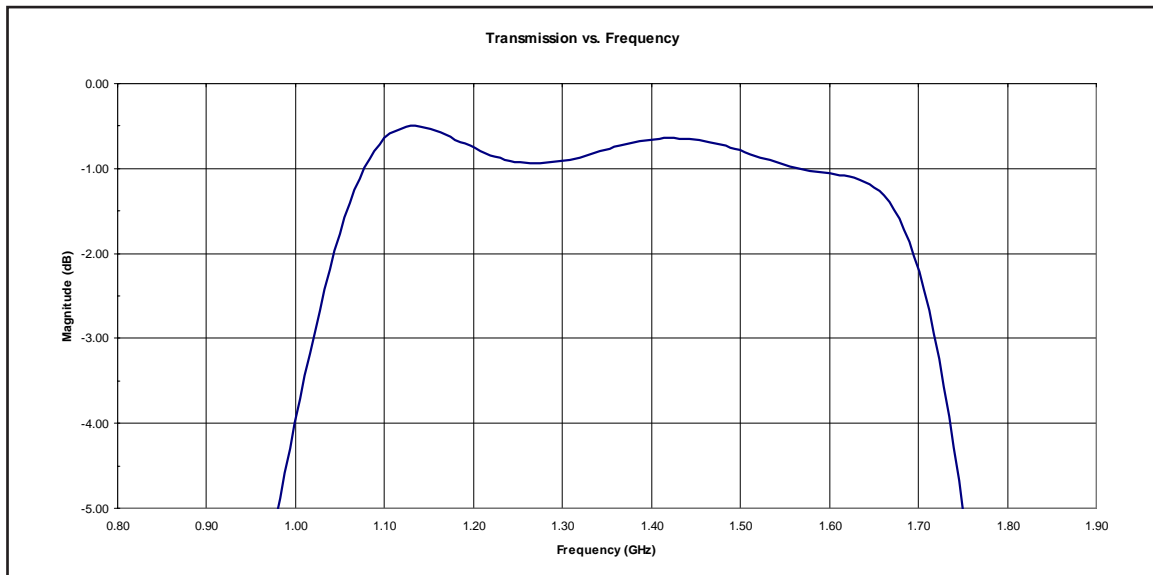
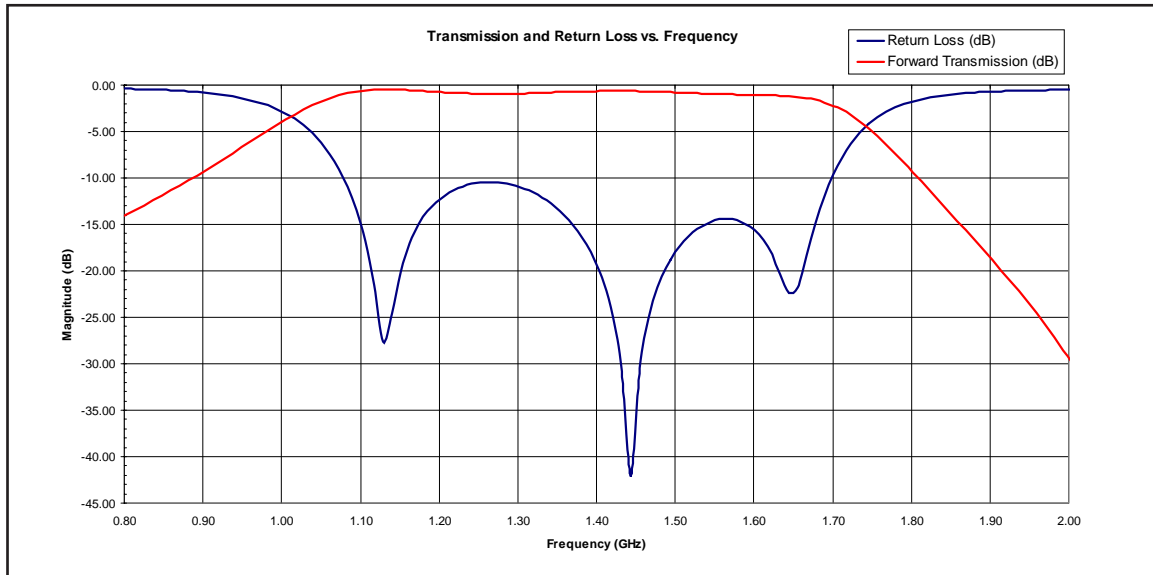
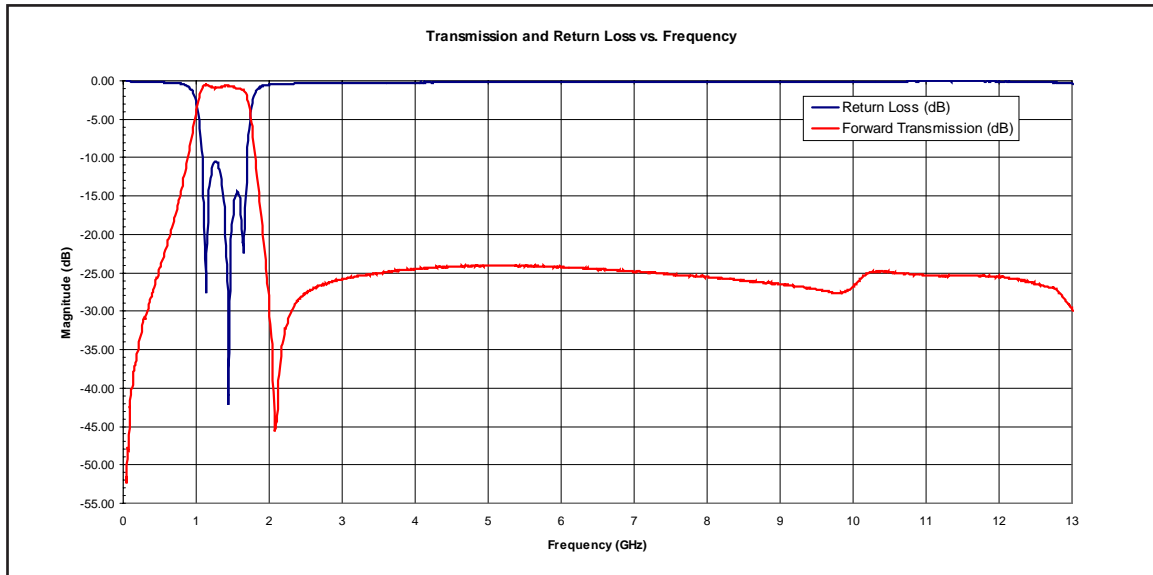
THE MULTI-MIX MICROTECHNOLOGY[®] GROUP IS ISO 9001:2000 REGISTERED



U.S. patent 6,099,677 and other patents pending.

TYPICAL PERFORMANCE

FBGC-3-1.4G



THE MULTI-MIX MICROTECHNOLOGY® GROUP IS ISO 9001:2000 REGISTERED

Merrimac Industries / 41 Fairfield Place, West Caldwell, NJ 07006
Tel: 1.888.434.MMFM / Fax: 973.882.5990 / Email: MMFM@merrimacind.com / www.Multi-Mix.com