

NOTES :

1. MATERIAL - PP8.
2. ALL DIMENSIONS ARE IN MILLIMETERS.
3. TOLERANCES - X.X=±0.25  
- X.XX=±0.13  
UNLESS OTHERWISE SPECIFIED.
4. ESD - SURFACE RESISTIVITY  
- 10<sup>5</sup> TO 10<sup>11</sup> OHMS/SQ.
5. FOR PACKAGE - PBGA11X11
6. PART NO. : NH BG1111 1.5 0822 8  
(PLEASE INDICATE ON PURCHASE ORDER).

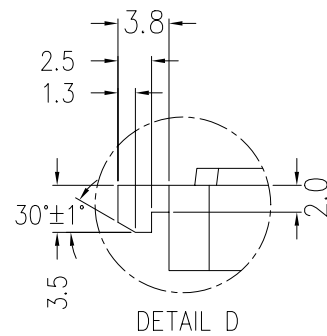
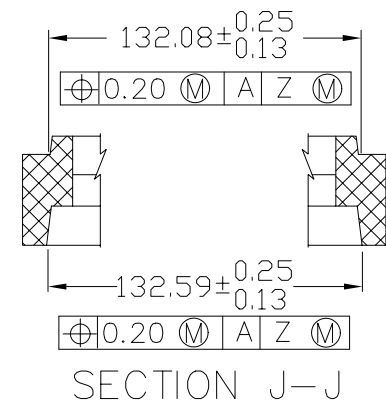
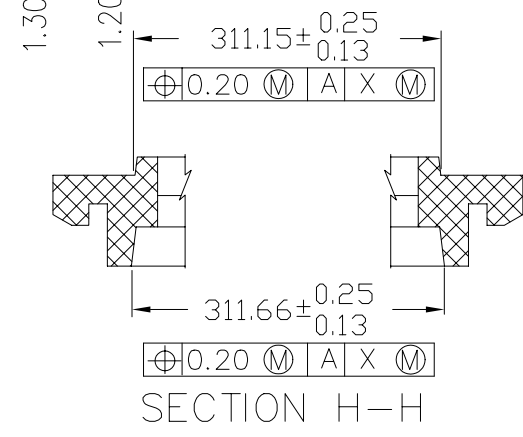
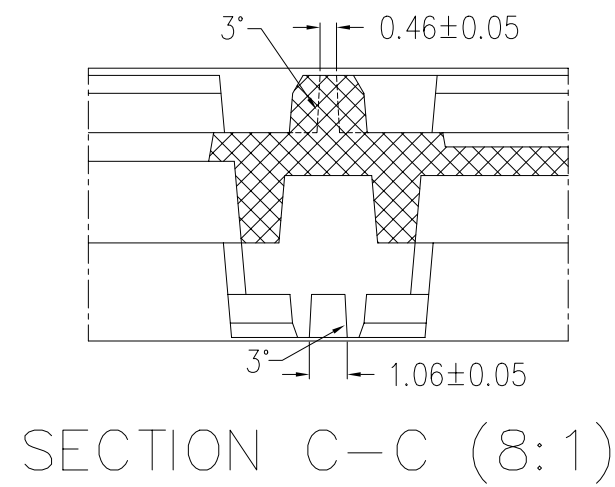
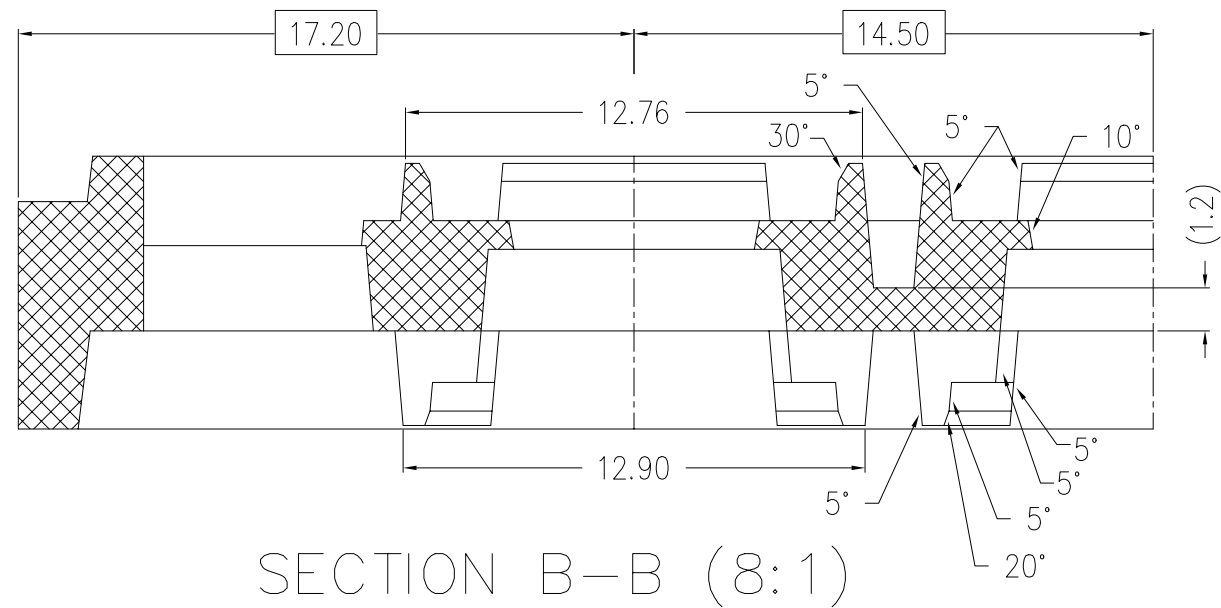
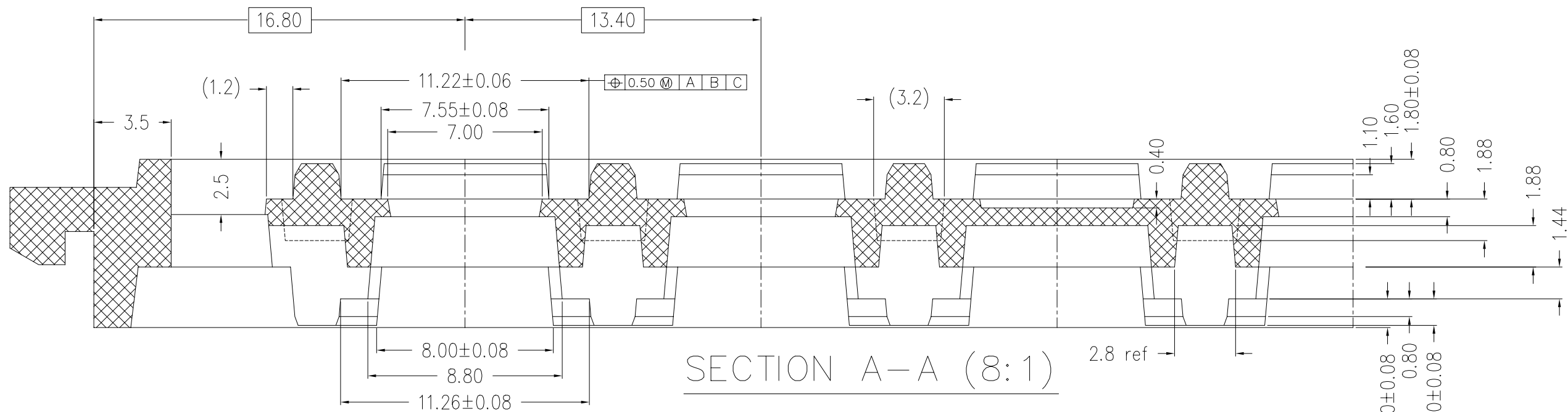


REV.NO.	ECN #	DESCRIPTION	DATE
1	P-00908	CHANGE SURFACE RESISTIVITY	1 FEB 99
0		RELEASED FOR PRODUCTION	22 JUN 98

THIS DOCUMENT CONTAINS INFORMATION PROPRIETARY TO PEAK PLASTIC & METAL PRODUCTS INTERNATIONAL LIMITED. REPRODUCTION, DISCLOSURE OR USE OF THIS DOCUMENT IS EXPRESSLY PROHIBITED EXCEPT IF OTHERWISE AGREED UPON IN WRITING.

DRAWN BY : Wang	PAGE 1 OF 2
CHECKED BY :	DATE : 1 FEB 99
APPROVED BY :	DATE : 1 FEB 99
APPROVED BY :	DATE : 1 FEB 99
DO NOT SCALE DRAWING	CODE : CSA04782

CUSTOMER :	PEAK	
TITLE :	NH BG1111 1.5 0822 8	
DWG NO.:	NH BG1111 1.5 0822 8	REV. 1



REV.NO.	ECN #	DESCRIPTION	DATE
1	P-00908	CHANGE SURFACE RESISTIVITY	1 FEB 99
0		RELEASED FOR PRODUCTION	22 JUN 98

THIS DOCUMENT CONTAINS INFORMATION PROPRIETARY TO PEAK PLASTIC & METAL PRODUCTS INTERNATIONAL LIMITED. REPRODUCTION, DISCLOSURE OR USE OF THIS DOCUMENT IS EXPRESSLY PROHIBITED EXCEPT IF OTHERWISE AGREED UPON IN WRITING.

DRAWN BY : Wang	PAGE 2 OF 2
CHECKED BY :	DATE : 1 FEB 99
APPROVED BY :	DATE : 1 FEB 99
APPROVED BY :	DATE : 1 FEB 99
DO NOT SCALE DRAWING	CODE : CSA04782

CUSTOMER :	<i>PEAK</i>	
TITLE :	NH BG1111 1.5 0822 8	
DWG NO.:	NH BG1111 1.5 0822 8	REV. 1