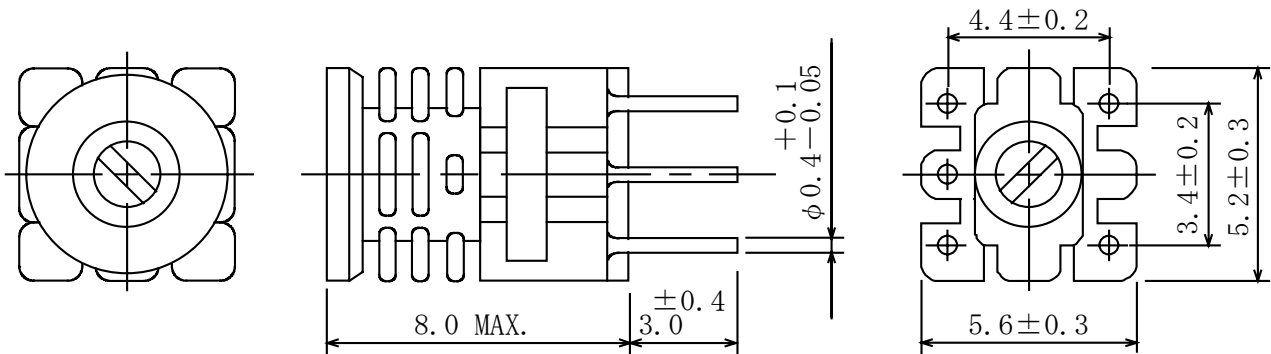


Type: S57
◆ Product Description

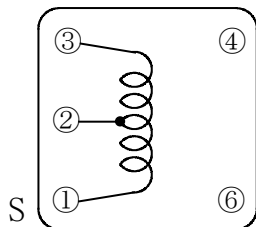
- 5.9×5.5mm Max.(L×W), 8.0mm Max. Height.
- Inductance: 5 μ H Max.
- Operating frequency:150MHz Max.
- In addition to the reference versions of parameters shown here, custom designs are available to meet your exact requirements.


◆ Feature

- Variable unshielded type.
- RoHS Compliance

◆ Dimensions (mm)


- * Dimension does not include solder used on coil.
- * Pin pitch should be measured at the root of terminal.

◆ Connection (Bottom View)


“S” is winding start

◆ Specification (Part No. 02296-T011)

| Item | (1-3) | Measuring Condition |
|-------------|--------------------|---------------------|
| Inductance | 0.35μH±4% Variable | 25.2MHz |
| Unloaded Qu | 35 Min. | 25.2MHz |