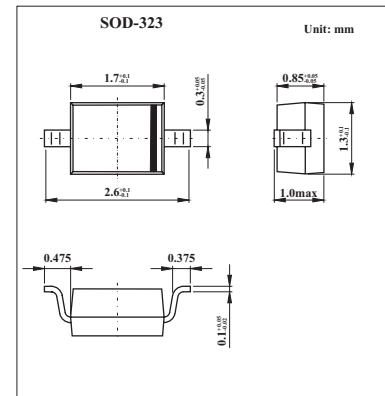


## Silicon Epitaxial Planar Diode

## 1SV293

## ■ Features

- Ultra Low Series Resistance:  $r_s = 0.26 \Omega$  (Typ.)
- Useful for small size Set

■ Absolute Maximum Ratings  $T_a = 25^\circ\text{C}$ 

Parameter	Symbol	Value	Unit
Reverse Voltage	$V_R$	10	V
Junction Temperature	$T_j$	125	$^\circ\text{C}$
Storage Temperature Range	$T_{stg}$	-55 to +125	$^\circ\text{C}$

■ Electrical Characteristics  $T_a = 25^\circ\text{C}$ 

Parameter	Symbol	Conditions	Min	Typ	Max	Unit
Reverse Voltage	$V_R$	$I_R = 1 \mu\text{A}$	10			V
Reverse Current	$I_R$	$V_R = 10\text{V}$			3	nA
Capacitance	$C_{1V}$	$f = 1\text{MHz}; V_R = 1\text{V}$	18		20	pF
	$C_{4V}$	$f = 1\text{MHz}; V_R = 4\text{V}$	10.1		11.6	
Capacitance Ratio	$C_{1V}/C_{4V}$		1.55			
Series Resistance	$r_s$	$V_R = 1\text{V}, f = 470\text{MHz}$		0.26	0.4	$\Omega$

## ■ Marking

Marking	TH