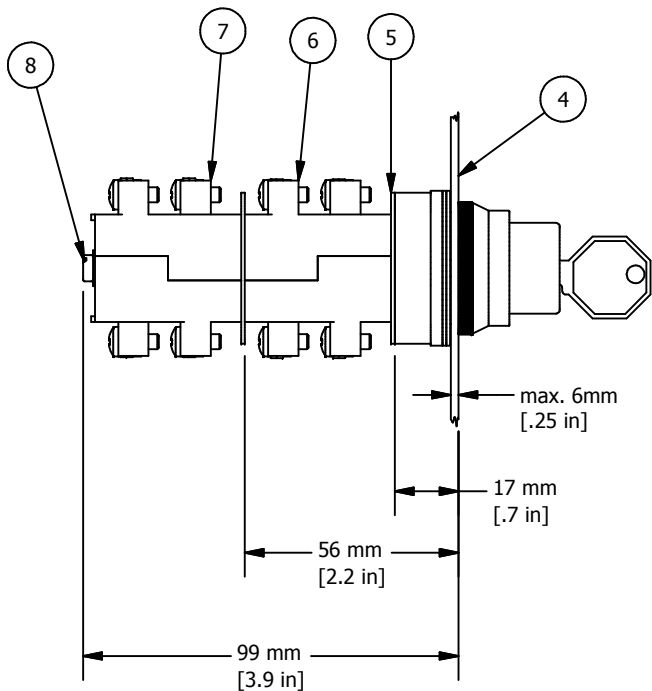
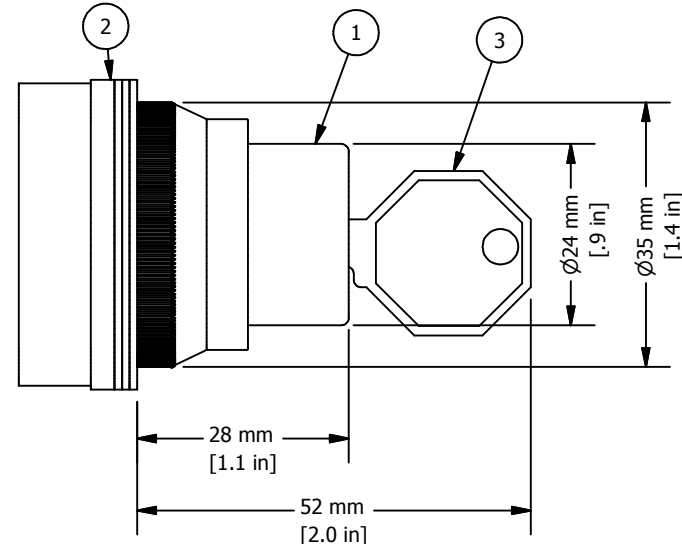
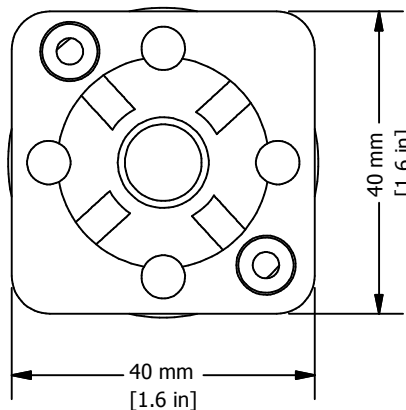
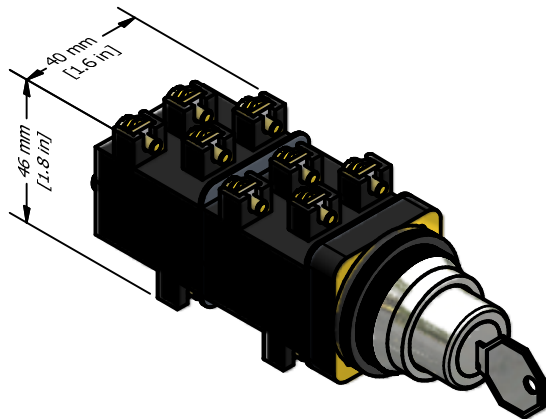


REVISION FOR DWG # 1PB-AK2-xPx-KDx

REV	CH.NO.	DESCRIPTION	DATE	REVISED BY
-	-	ORIGINAL DESIGN	11/20/2007	PHILIPP E.



* = Operator includes 3x ARW1.2, 1x ARW3.2 and 1x Key
 ** = Switch Contacts include Contact element washer and two SC24 installation screws, if more than two contact blocks are used, additional screws must be purchased seperatly (SC45, SC65 or SC90)

ITEM	DESCRIPTION	CAT. NO.	FUNCTION	COLOR	MIN. QTY.	MAX. QTY.
		AK2-2PB	2 Position Maintained, Left/Right	-	1	1
		AK2-2POSR	2 Position Momentary, Left	-	1	1
		AK2-2PI	2 Position Maintained, Right	-	1	1
		AK2-2PO	2 Position Maintained, Left	-	1	1
		AK2-3PB	3 Position Maintained, Left/Right	-	1	1
		AK2-3PC	3 Position Maintained, Center	-	1	1
1*	30 mm Key Selector Switch Metal Operator	AK2-2PO-KD	2 Position Maintained, Left, Key 1	-	1	1
		AK2-2PO-KD1	2 Position Maintained, Left, Key 2	-	1	1
		AK2-2PO-KD2	2 Position Maintained, Left, Key 3	-	1	1
		AK2-2PO-KD4	2 Position Maintained, Left, Key 4	-	1	1
		AK2-2PO-KD5	2 Position Maintained, Left, Key 5	-	1	1
		AK2-3PC-KD	3 Position Maintained, Center, Key 1	-	1	1
		AK2-3PC-KD1	3 Position Maintained, Center, Key 2	-	1	1
		AK2-3PC-KD2	3 Position Maintained, Center, Key 3	-	1	1
		AK2-3PC-KD3	3 Position Maintained, Center, Key 4	Black	1	1
2*	Rubber washer	ARW1.2/ARW3.2	-	Black	1	4
3*	Replacment Key	KY30	-	-	1	1
4	Panel	-	-	-	-	-
5**	Contact Element washer	-	-	Black	1	2
6**	Switch Contacts	S11	-	Red	1	2
7**	Switch Contacts	S12	-	Yellow	1	2
8**	Contact Block Installation Screws	SC25/SC45/SC65/SC90	-	-	2	2

UNLESS OTHERWISE SPECIFIED:
 • ALL DIMENSIONS ARE IN MILLIMETERS
 • THIRD ANGLE PROJECTION



This Drawing is the property of
Altech Corp.

35 Royal Road
 Flemington, NJ 08822-6000
 (908) 806-9400
 Fax (908) 806-9490

M
E
T
R
I
C

TOLERANCE		
XX	=	±1 mm
XX.X	=	±0.5 mm
XX.XX	=	±0.2 mm
ALL	=	- mm

AND IS A CONFIDENTIAL DISCLOSURE LENT WITHOUT CONSIDERATION OTHER THAN THE BORROWER'S AGREEMENT THAT IT SHALL NOT BE REPRODUCED, COPIED, LENT OR DISPOSED OF DIRECTLY OR INDIRECTLY NOR USED FOR ANY PURPOSE OTHER THAN THAT FOR WHICH IT IS SPECIFICALLY FURNISHED.

TITEL 30 mm Key Selector Switch Metal Operator AK2-xPy-KDz

DRAWN BY: Philipp Ernstberger	11/20/2007	DRAWING NO.:	1PB-AK2-xPx-KDx	REV.:	-
CHECKED BY: Laszlo Gyorgypal	11/20/2007	SCALE:	-	SHEET:	1
RELEASED BY: Laszlo Gyorgypal	11/20/2007			OF:	1