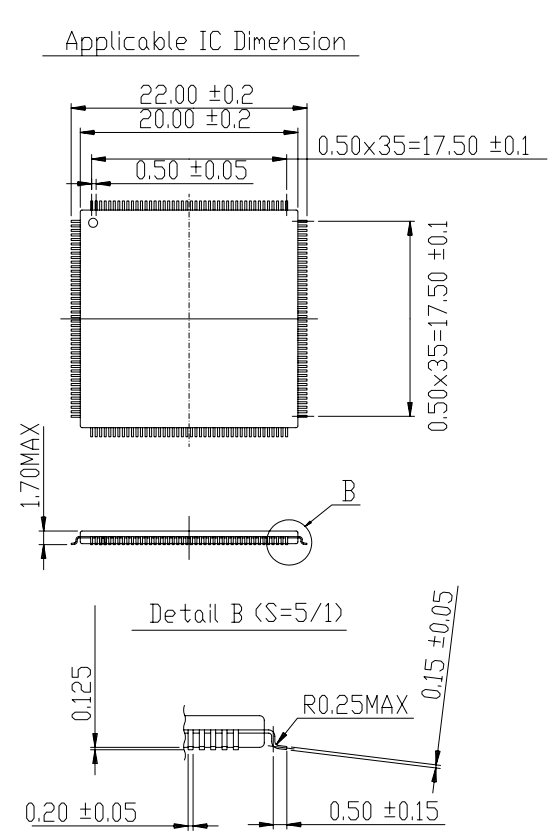
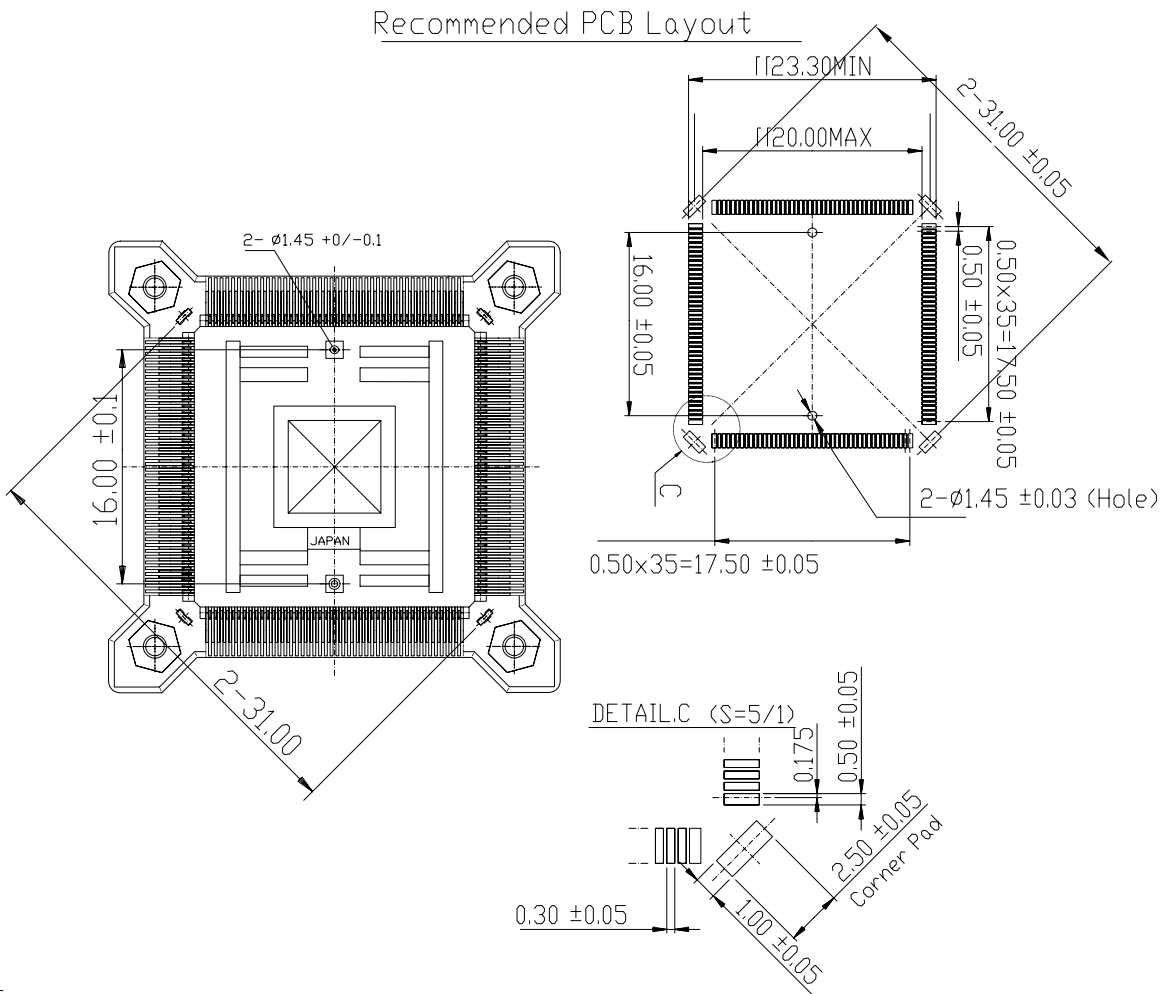
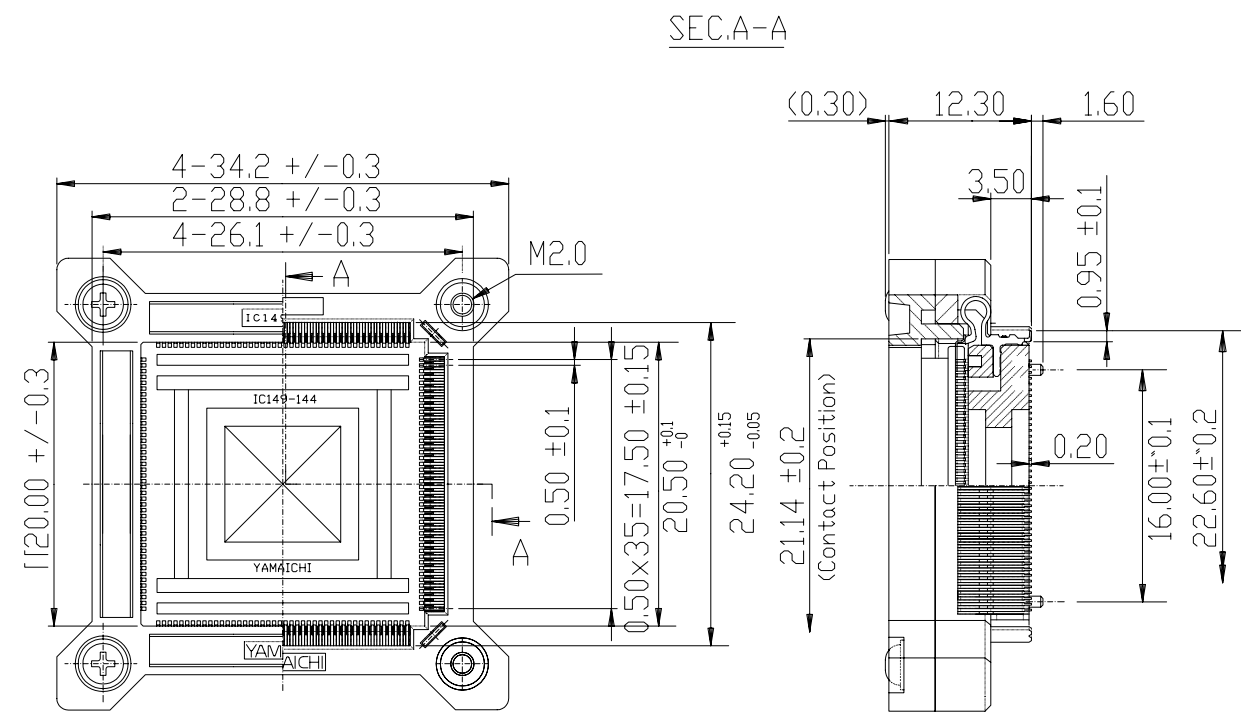


THE DRAWINGS AND INFORMATION CONTAINED HEREIN ARE THE EXCLUSIVE PROPERTY OF ACTEL.
 THE INFORMATION, DRAWINGS AND DESIGN CONCEPTS CONTAINED HEREIN ARE CONFIDENTIAL/PROPRIETARY, SHALL
 BE MAINTAINED IN STRICT CONFIDENCE, AND SHALL NOT BE RELEASED TO ANY THIRD PARTY WITHOUT THE EXPRESS
 WRITTEN PERMISSION OF ACTEL.

ECN NO.	REV.	DESCRIPTION OF CHANGE	EFFECTIVE DATE	ORIGINATOR
2007355	0	Initial	06/15/2007	Lijie Zhao



- Notes:
- Controlling dimensions are in millimeters.
 - Yamaichi socket number IC149-144-145-B5
 - Make 2 holes on PCB when you use socket with the guide pin. Do not plate the inside of the holes.

UNLESS OTHERWISE SPECIFIED DIMENSIONS ARE IN MILLIMETERS DECIMAL ANGULAR X.X ±0.10 ±1° X.XX ±0.05 X.XXX ±0.03	PROJECTION	ACTEL CORPORATION 2061 Stierlin Court Mountain View, CA 94043-4655		
	APPROVALS			
MATERIAL	DRAWN	SY-TQG144, Yamaichi lead free prototype socket drawing for TQ144 and TQG144 packages		
FINISH	CHECKED	VENDOR NAME:	ACTEL DWG. NUMBER	REV
DO NOT SCALE DRAWING	ENG'R	B	1-07-11069	0
	RELEASED	VENDOR SID(PART) NUMBER	VENDOR DWG. NUMBER	REV
		IC149-144-145-B5	N/A	
		Actel Part#:	SCALE: NONE	SHEET 1 OF 1
		SY-TQG144		