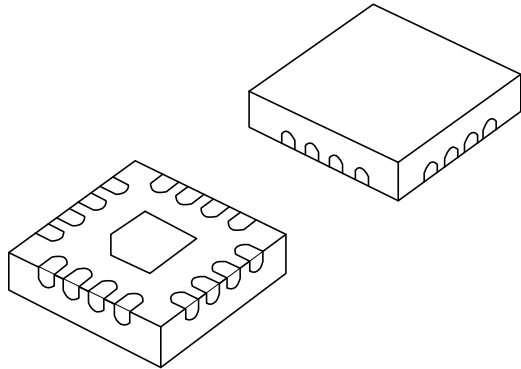


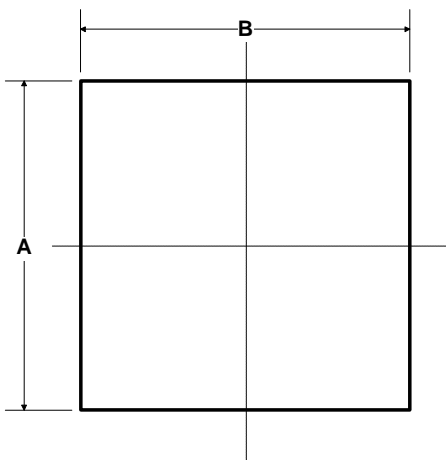
## 16-Terminal Ceramic Surface-Mount Case 3.0 X 3.0 mm Nominal Footprint

Case Dimensions

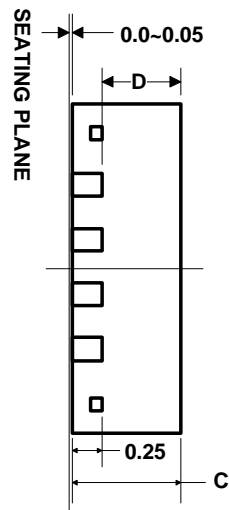


Dimension	mm			Inches		
	Min	Nom	Max	Min	Nom	Max
A	2.87	3.0	3.13	0.113	0.118	0.123
B	2.87	3.0	3.13	0.113	0.118	0.123
C		0.75			0.029	
D		0.50			0.019	
E		1.50			0.059	
F		0.50			0.019	
G		0.23			0.009	
H		0.50			0.019	
I		0.23			0.009	
J		0.40			0.015	
K		0.40			0.015	

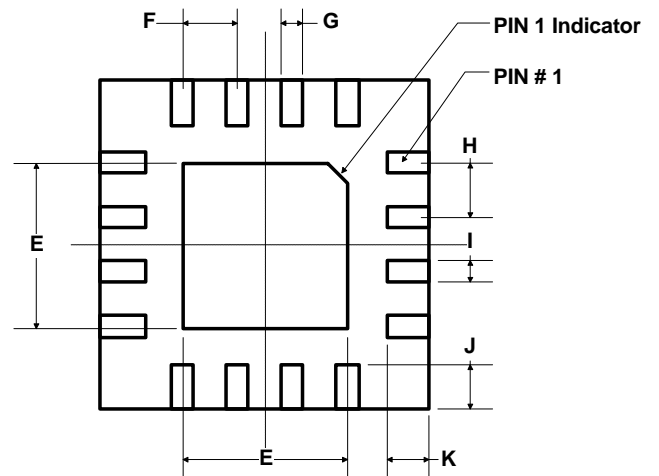
TOP VIEW



SIDE VIEW

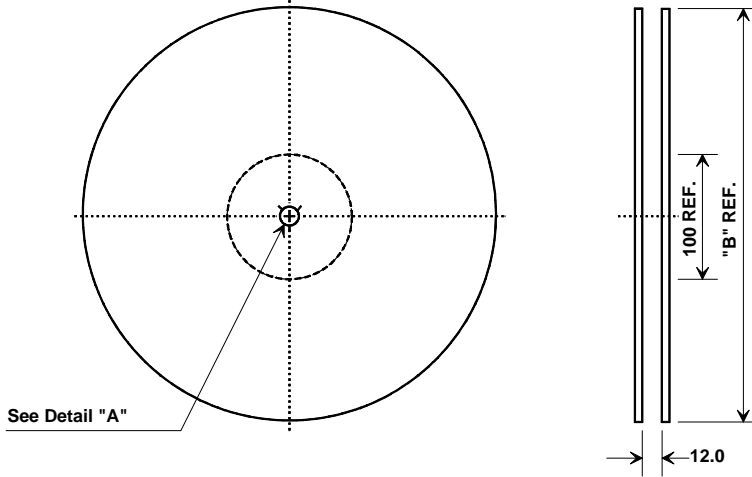


BOTTOM VIEW





# TQFN-16/33 Package



"B"		Quantity Per Reel
Nominal Size		
Inches	millimeters	
13	330	2000
Tape and Reel Standard Per ANSI / EIA 481		

