



RJ-45 MODULAR JACK FOR FAST ETHERNET 100BASE-TX 1 PORT

Networking Components

FEATURES

- **COST SAVING**
 - REDUCE PCB SPACE
 - SAVE INVENTORY AND ASSEMBLY COST
- **IMPROVE EMI PERFORMANCE**
 - REDUCE THE OVERALL LENGTH OF SIGNAL PATH ON PCB AND LOWER NOISE LEVEL
- **INTEGRATED HIGH VOLTAGE CAPACITOR TO CHASSIS GROUND**
- **MEET IEEE 802.3 STANDARDS AND FCC MECHANICAL REQUIREMENTS**

(EX.)

RJS-	1	A	08	T	08	9	*		
		A	B	C	D	E	F	G	H

A: 100 BASE-TX
B: NUMBER OF PORT
 1=1 PORT
 4=4 PORTS
C: CIRCUIT TYPE
 A~..... (SEE CIRCUIT SCHEMATICS)
D: CONNECTOR OUTPUT PIN NUMBER
E: T=THROUGH HOLE
S=SURFACE MOUNT
F: CONNECTOR INPUT PIN NUMBER
G: CONTACT PLATING
 OPTIONAL GOLD PLATING
 9=30u" ON CONTACT AREA
H: MECHANICAL & CONSTRUCTIONS TYPES

ELECTRICAL CHARACTERISTICS @25°C

Model	Insertion Loss	Return Loss			Cross Talk	CMRR	Turns Ratio
	TX/RX (dB Max)	TX/RX (dB Min)			TX/RX (dB Min)	TX/RX (dB Min)	TX/RX (±5%)
	1~100 MHz	1~30	30-60 MHz	60-80	1~100 MHz	1~100 MHz	
RJS-1A08T089*	1.0 / 1.0	20 / 20	15 / 17	11 / 15	30	30	1:1 / 1:1
RJS-1B08T089*	1.0 / 1.0	20 / 20	15 / 17	11 / 15	30	30	1.414:1 / 1:1
RJS-1C08T089*	2.0 / 1.0	16 / 20	12 / 17	10 / 15	30	30	2:1 / 1:1
RJS-1A08S089E	1.0 / 1.0	16 / 20	12 / 17	10 / 15	30	30	1:1 / 1:1
RJS-1E08T089A	1.0 / 1.0	20 / 20	15 / 17	11 / 15	30	30	1:1 / 1:1
RJS-1GA08T089S	1.0 / 1.0	20 / 20	15 / 17	11 / 15	30	30	1:1 / 1:1

DELTA ELECTRONICS, INC.

(TAOYUAN PLANT CPBG) 252, SAN YING ROAD, KUEI SAN INDUSTRIAL ZONE, TAOYUAN SHIEN, TAIWAN, R.O.C.
 TEL: 886-3-3591968; FAX: 886-3-3591991
[Http://www.deltaww.com/products/networking](http://www.deltaww.com/products/networking)

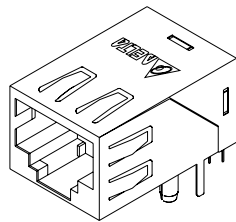


RJ-45 MODULAR JACK FOR FAST ETHERNET 100BASE-TX 1 PORT (TYPE A/TYPE B)

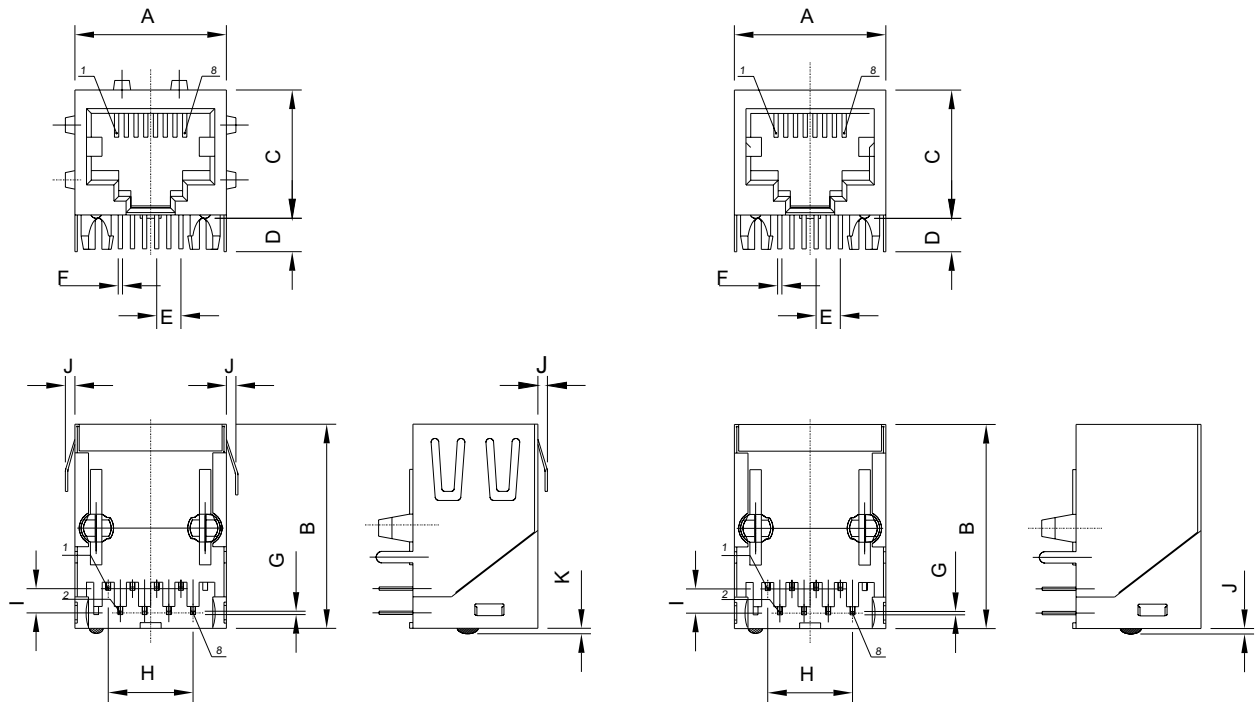
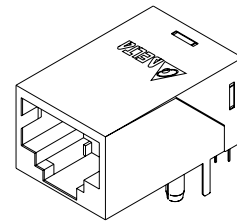
Networking Components

MECHANICAL CONSTRUCTION

RJS-1A08T089A
RJS-1B08T089A
RJS-1C08T089A
RJS-1E08T089A

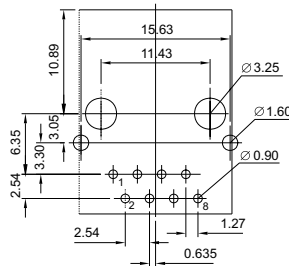


RJS-1A08T089B
RJS-1B08T089B
RJS-1C08T089B
RJS-1E08T089B



UNIT : mm / inch

- A = 15.88 ± 0.254 / 0.625 ± 0.010
- B = 21.60 ± 0.254 / 0.850 ± 0.010
- C = 13.45 ± 0.254 / 0.530 ± 0.010
- D = 3.50 ± 0.254 / 0.138 ± 0.010
- E = 2.54 / 0.100 (TYP)
- F = 0.50 ± 0.127 / 0.020 ± 0.005
- G = 0.35 ± 0.127 / 0.014 ± 0.005
- H = 8.89 / 0.350 (TYP)
- I = 2.54 / 0.100 (TYP)
- J = 1.00 ± 0.18 / 0.039 ± 0.007
- K = 0.90 / 0.035 (MAX)



RECOMMENDED P.C.B. LAYOUT
BOTTOM VIEW

UNIT : mm / inch

- A = 15.88 ± 0.254 / 0.625 ± 0.010
- B = 21.60 ± 0.254 / 0.850 ± 0.010
- C = 13.45 ± 0.254 / 0.530 ± 0.010
- D = 3.50 ± 0.254 / 0.138 ± 0.010
- E = 2.54 / 0.100 (TYP)
- F = 0.50 ± 0.127 / 0.020 ± 0.005
- G = 0.35 ± 0.127 / 0.014 ± 0.005
- H = 8.89 / 0.350 (TYP)
- I = 2.54 / 0.100 (TYP)
- J = 0.90 / 0.035 (MAX)

DELTA ELECTRONICS, INC.

(TAOYUAN PLANT CPBG) 252, SAN YING ROAD, KUEI SAN INDUSTRIAL ZONE, TAOYUAN SHIEN, TAIWAN, R.O.C.

TEL: 886-3-3591968; FAX: 886-3-3591991

Http://www.deltaww.com/products/networking

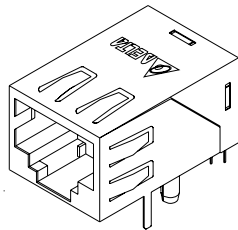


RJ-45 MODULAR JACK FOR FAST ETHERNET 100BASE-TX 1 PORT (TYPE C/TYPE D)

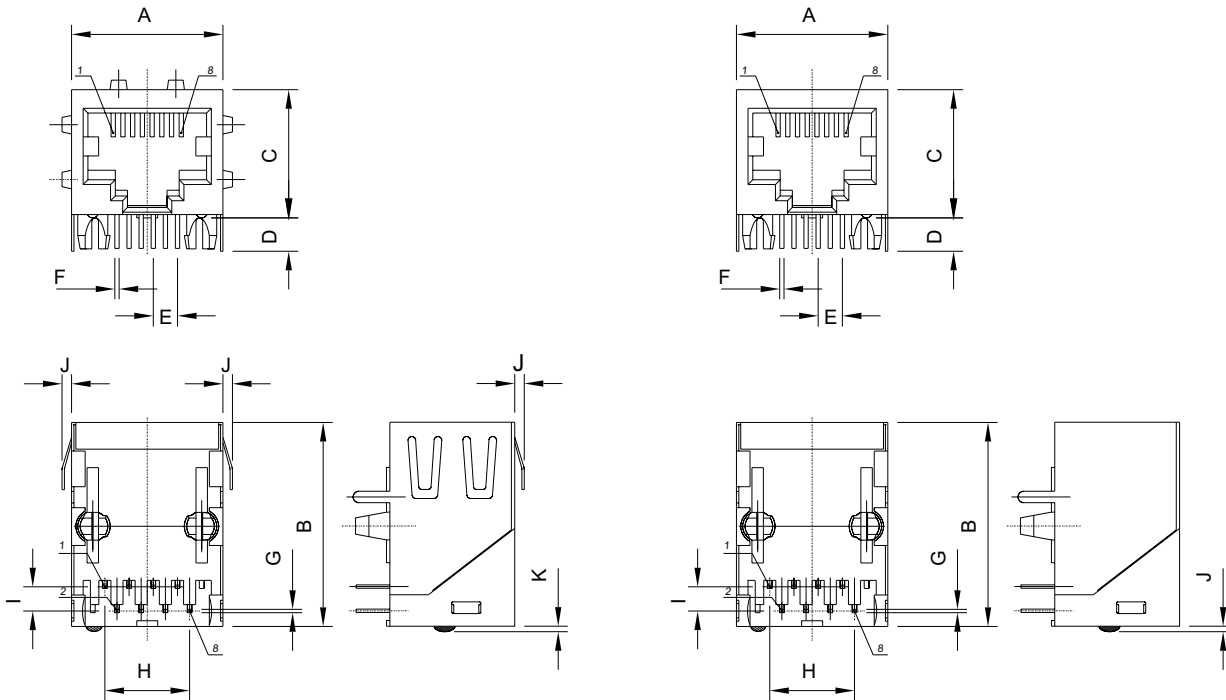
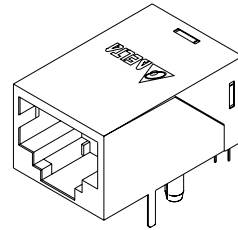
Networking Components

MECHANICAL CONSTRUCTION

RJS-1A08T089C
RJS-1B08T089C
RJS-1C08T089C

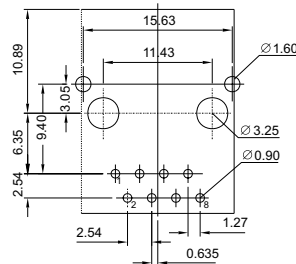


RJS-1A08T089D
RJS-1B08T089D
RJS-1C08T089D



UNIT : mm / inch

- A = 15.88 ± 0.254 / 0.625 ± 0.010
- B = 21.60 ± 0.254 / 0.850 ± 0.010
- C = 13.45 ± 0.254 / 0.530 ± 0.010
- D = 3.50 ± 0.254 / 0.138 ± 0.010
- E = 2.54 / 0.100 (TYP)
- F = 0.50 ± 0.127 / 0.020 ± 0.005
- G = 0.35 ± 0.127 / 0.014 ± 0.005
- H = 8.89 / 0.350 (TYP)
- I = 2.54 / 0.100 (TYP)
- J = 1.00 ± 0.18 / 0.039 ± 0.007
- K = 0.90 / 0.035 (MAX)



RECOMMENDED P.C.B. LAYOUT
BOTTOM VIEW

UNIT : mm / inch

- A = 15.88 ± 0.254 / 0.625 ± 0.010
- B = 21.60 ± 0.254 / 0.850 ± 0.010
- C = 13.45 ± 0.254 / 0.530 ± 0.010
- D = 3.50 ± 0.254 / 0.138 ± 0.010
- E = 2.54 / 0.100 (TYP)
- F = 0.50 ± 0.127 / 0.020 ± 0.005
- G = 0.35 ± 0.127 / 0.014 ± 0.005
- H = 8.89 / 0.350 (TYP)
- I = 2.54 / 0.100 (TYP)
- J = 0.90 / 0.035 (MAX)

DELTA ELECTRONICS, INC.

(TAOYUAN PLANT CPBG) 252, SAN YING ROAD, KUEI SAN INDUSTRIAL ZONE, TAOYUAN SHIEN, TAIWAN, R.O.C.

TEL: 886-3-3591968; FAX: 886-3-3591991

[Http://www.deltaww.com/products/networking](http://www.deltaww.com/products/networking)

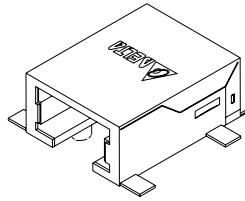


RJ-45 MODULAR JACK FOR FAST ETHERNET 100BASE-TX 1 PORT

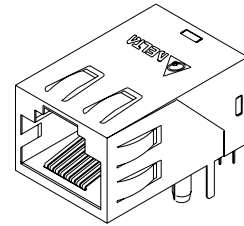
Networking Components

MECHANICAL CONSTRUCTION

RJS-1A08S089E

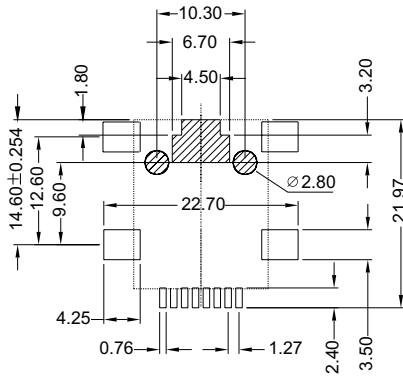
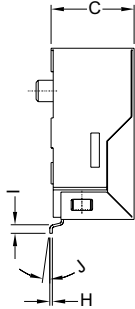
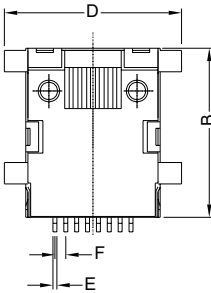
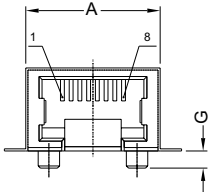


RJS-1GA08T089S



UNIT : mm / inch

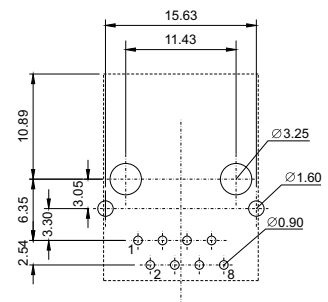
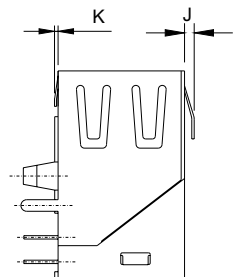
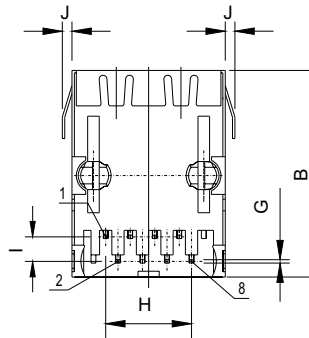
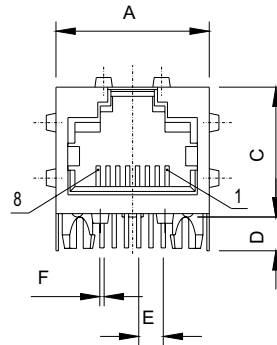
- A = 15.27±0.308 / 0.601±0.012
- B = 19.746±0.254 / 0.777±0.010
- C = 9.70±0.254 / 0.381±0.010
- D = 20.70±0.308 / 0.815±0.012
- E = 0.46 / 0.018 (TYP)
- F = 1.27 / 0.050 (TYP)
- G = 2.00 / 0.079 MAX
- H = 0.254 / 0.010 (TYP)
- I = 1.00 / 0.039 (REF)
- J = 0° ~ 8°



SUGGEST PCB LAYOUT

UNIT : mm / inch

- A = 15.88±0.254 / 0.625±0.010
- B = 21.60±0.254 / 0.850±0.010
- C = 13.45±0.254 / 0.530±0.010
- D = 3.50±0.254 / 0.138±0.010
- E = 2.54 / 0.100 (TYP)
- F = 0.50±0.127 / 0.020±0.005
- G = 0.35±0.127 / 0.014±0.005
- H = 8.89 / 0.350 (TYP)
- I = 2.54 / 0.100 (TYP)
- J = 1.00±0.18 / 0.039±0.007
- K = 0.35 / 0.014 MAX



DELTA ELECTRONICS, INC.

(TAOYUAN PLANT CPBG) 252, SAN YING ROAD, KUEI SAN INDUSTRIAL ZONE, TAOYUAN SHIEN, TAIWAN, R.O.C.

TEL: 886-3-3591968; FAX: 886-3-3591991

Http://www.deltawww.com/products/networking

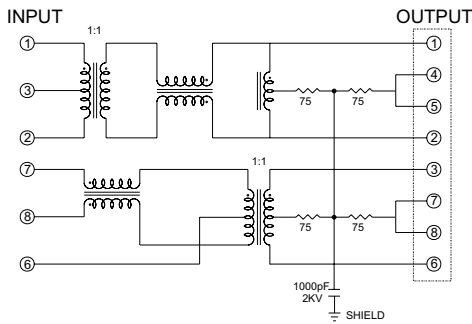


RJ-45 MODULAR JACK FOR FAST ETHERNET 100BASE-TX 1 PORT

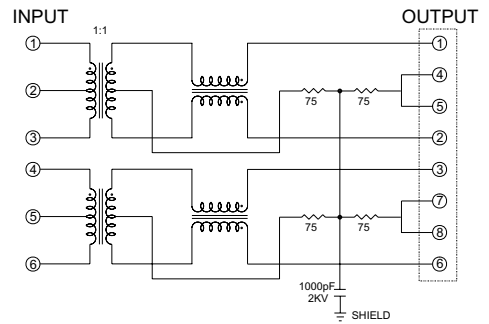
Networking Components

SCHEMATICS

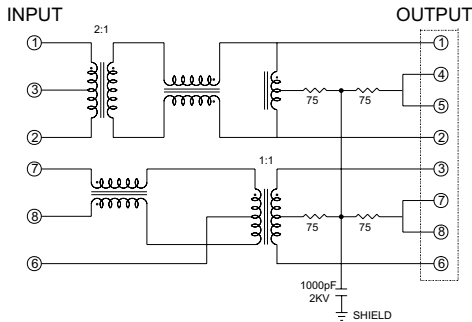
RJS-1A08T089* / RJS-1A08S089E



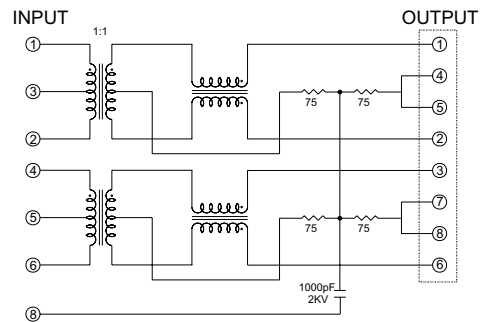
RJS-1E08T089A



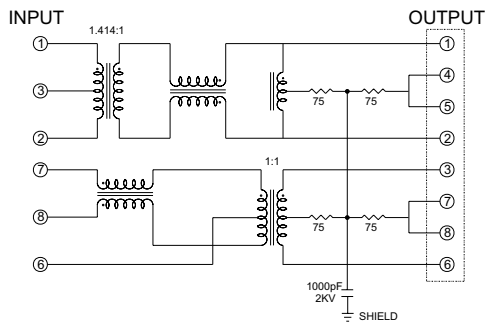
RJS-1C08T089*



RJS-1GA08T089S



RJS-1B08T089*



DELTA ELECTRONICS, INC.

(TAOYUAN PLANT CPBG) 252, SAN YING ROAD, KUEI SAN INDUSTRIAL ZONE, TAOYUAN SHIEN, TAIWAN, R.O.C.

TEL: 886-3-3591968; FAX: 886-3-3591991

[Http://www.deltaww.com/products/networking](http://www.deltaww.com/products/networking)