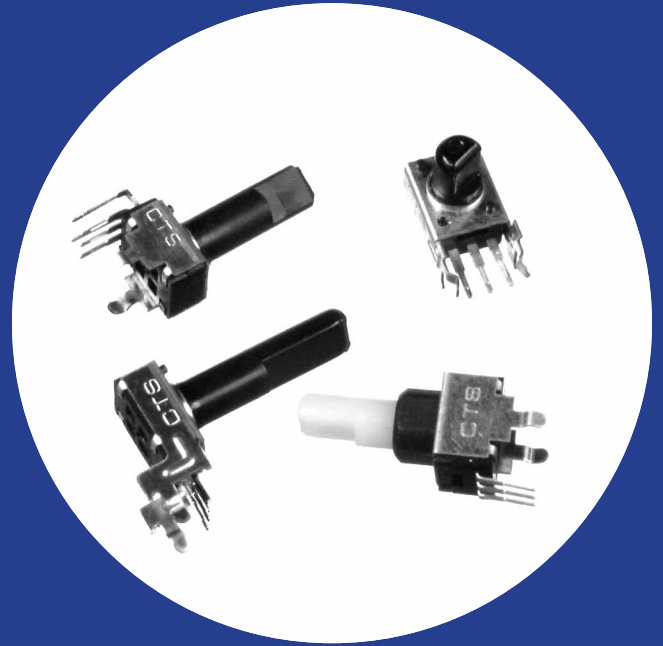


## Commercial Composition 9mm Diameter Variable Resistors

- Miniature 9mm size
- Low cost
- Bushing mount or PC mount
- Dual control
- Detent available



### Electrical and Mechanical Specifications

#### Resistance Range

Standard: 500 ohms through 1 megohms.  
Special: For non-standard resistance values, please contact CTS.

#### Resistance Tolerance

Standard:  $\pm 20\%$   
Special: Tighter tolerances available in most resistance values.

#### Resistance Taper

Standard: Linear  
Special: Available

#### Power Rating

Single section - 0.05 watts @ 50°C derated to no load @ 85°C for linear curve.  
Dual section - 0.03 watts @ 50°C derated to no load @ 85°C for linear curve.

#### Dielectric Strength

Withstands 250 VAC for 1 minute

#### Insulation Resistance

100 megohms minimum at 250 VDC

#### Maximum Operating Voltage

50 VAC, 20 VDC

#### Angle of Rotation

Total Rotation:  $280^\circ \pm 5^\circ$

#### Rotational Torque

10-100 g-cm

#### Stop Strength

3kg-cm minimum

#### Detent

50% detent available in single section units

#### Pull-Push Strength

5kgf maximum

#### Rotational Life

Single section - 5K cycles  
Dual section - 2K cycles

#### Slide Noise

Less than 100mV (measured by JIS C6443)

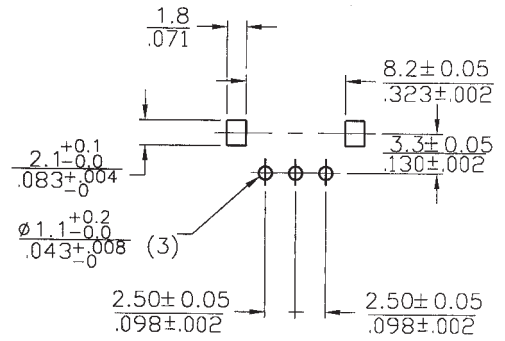
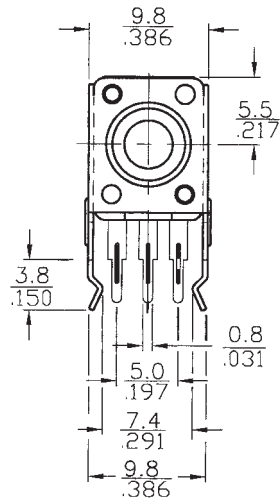
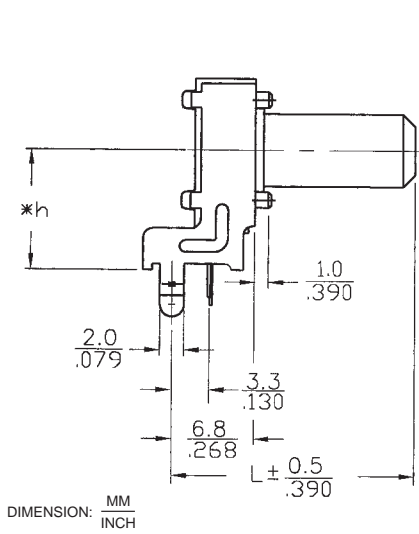
#### Gang Error

Within 3dB at -40 to 0 dB

#### Insertion Loss

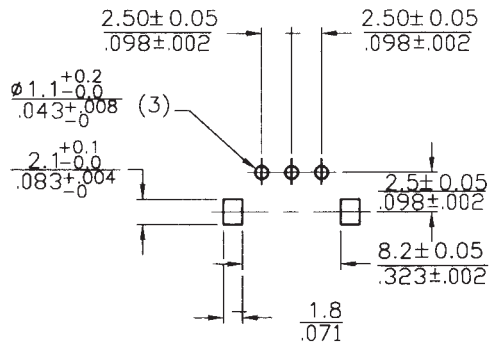
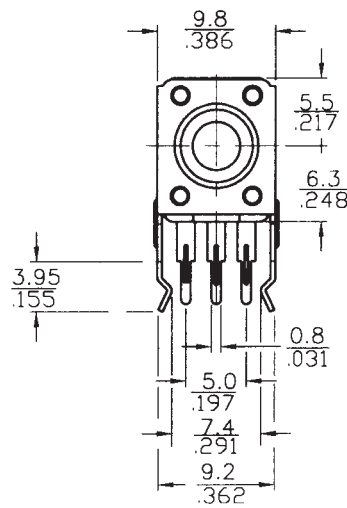
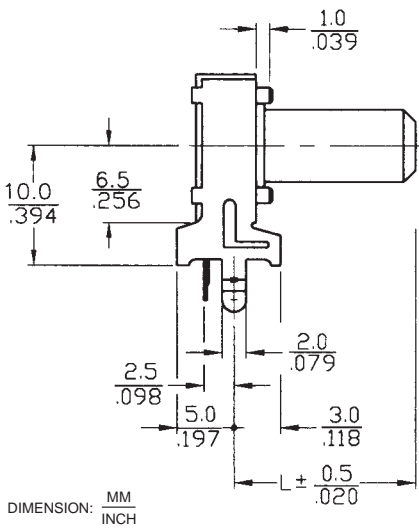
0.1 dB maximum

## 250 B or X



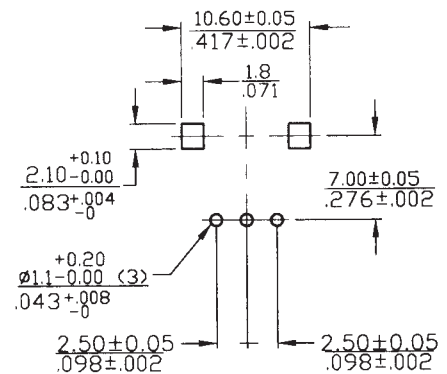
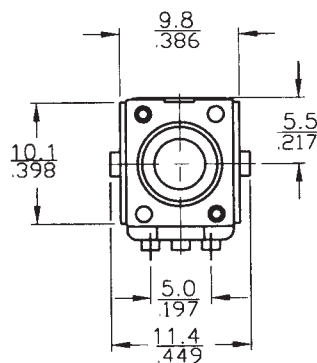
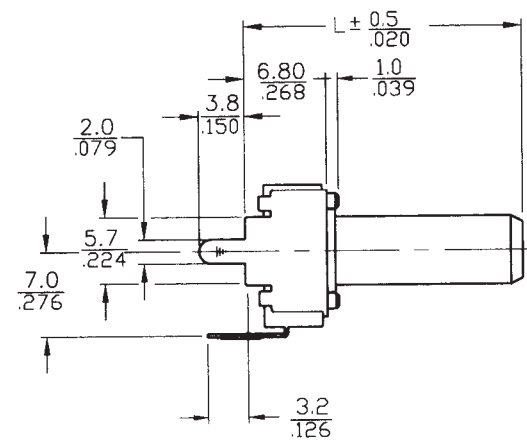
\*NOTE :  
PLEASE REFER TO ORDERING  
INFORMATION FOR CODING "B" OR "X"

## 250Y



RECOMMENDED MOUNTING HOLE

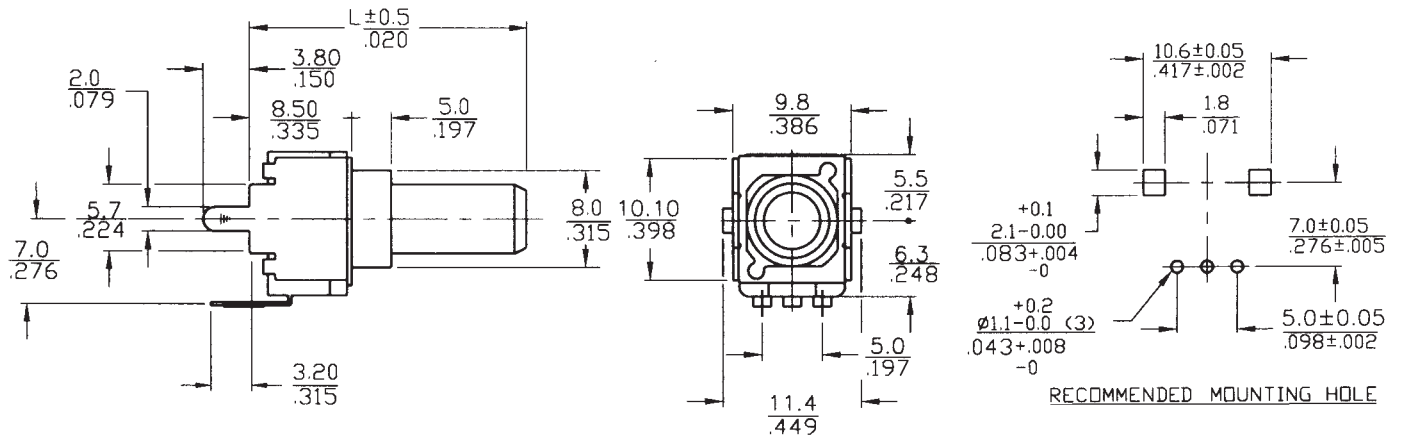
## 250U



RECOMMENDED MOUNTING HOLE

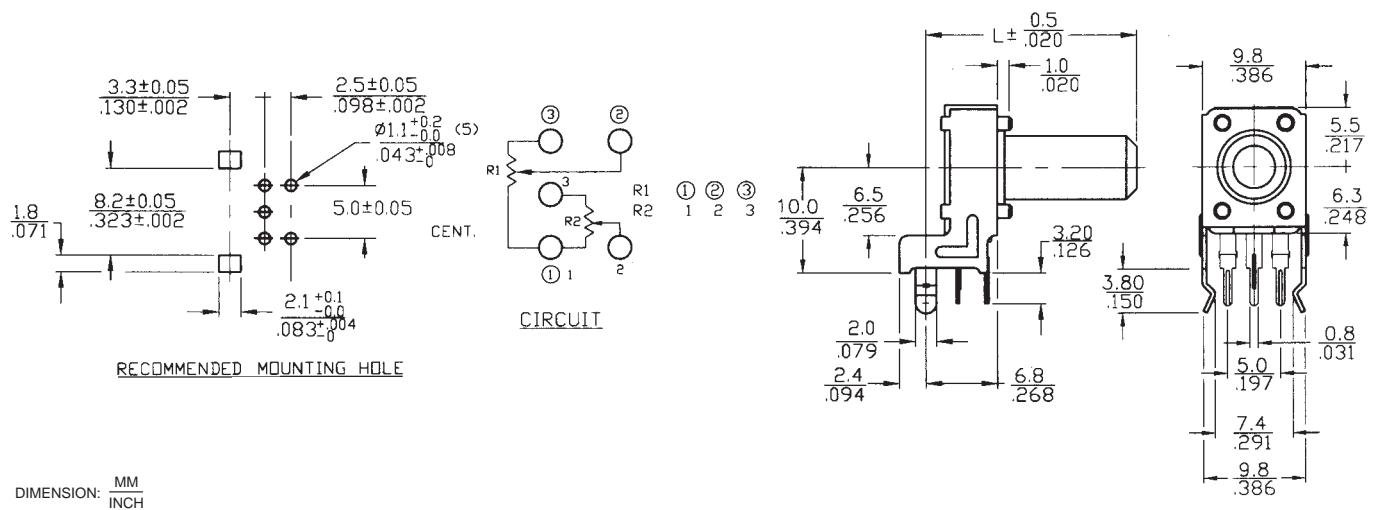
DIMENSION: MM  
INCH

## UM250 With Bushing



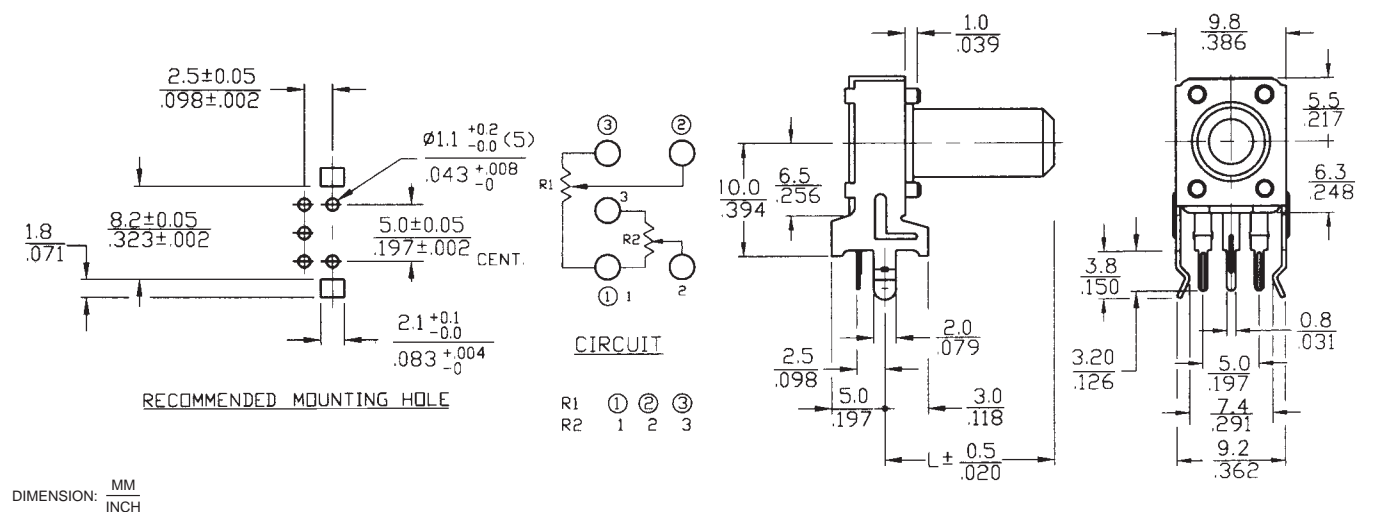
DIMENSION:  $\frac{MM}{INCH}$

## XMD250RE



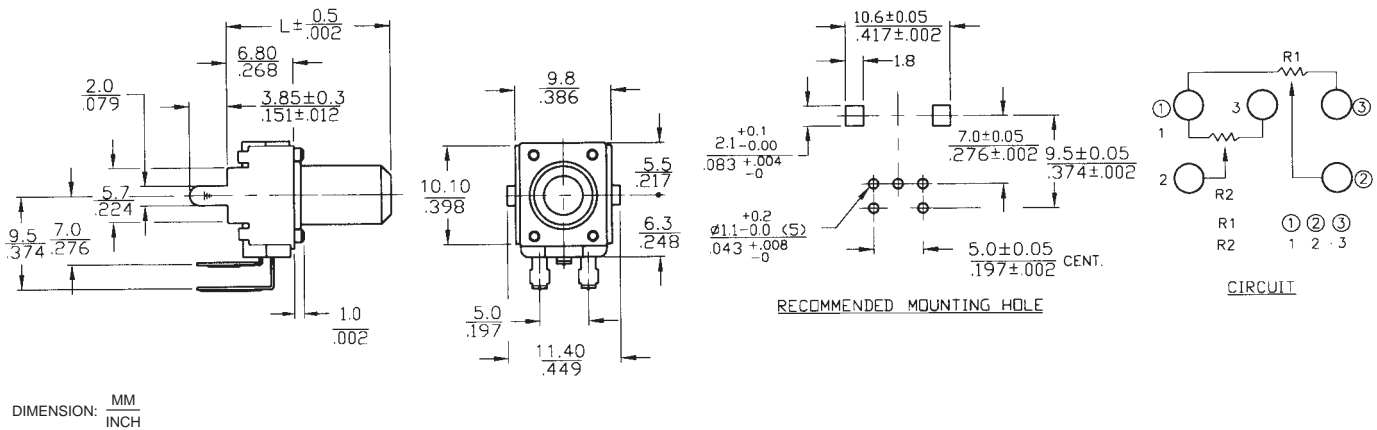
DIMENSION:  $\frac{MM}{INCH}$

## YMD250RE

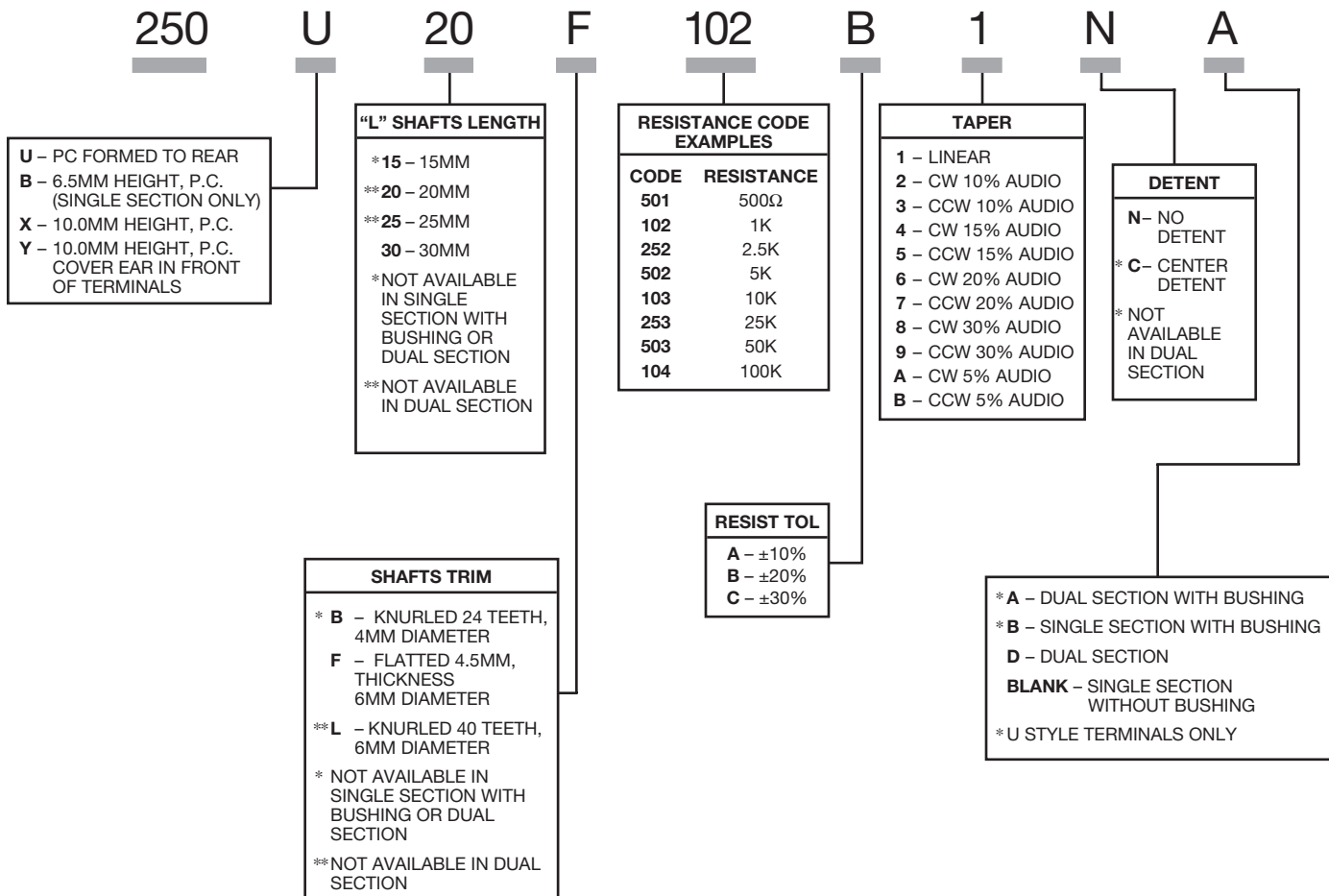


DIMENSION:  $\frac{MM}{INCH}$

# UMD250RE



## Ordering Information



## Order From:

**CTS CORPORATION, ELECTROCOMPONENTS** / 1601 Mishawaka Street / Elkhart, Indiana 46514  
 North America Toll Free (888) 287-4690 / (219) 296-6700 / FAX: (219) 293-1240 <http://www.ctscorp.com>

**CTS COMPONENTS TAIWAN, LTD.** / 7, Central 6th Road (Chung Liu Road) / P.O. Box 26-20  
 Kaohsiung Export Processing Zone / Kaohsiung, Taiwan, Rep. of China  
 (07) 8216145 / FAX: (07) 8417642.8110040