

isc Silicon NPN Power Transistor

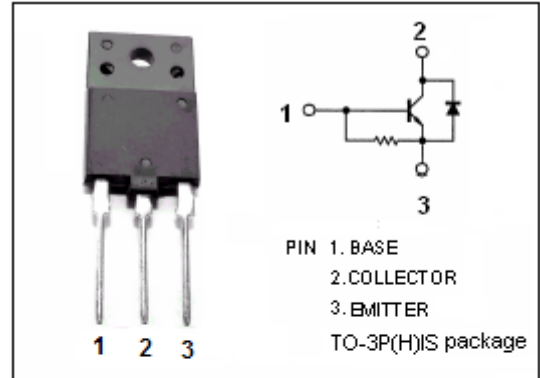
2SC4765

DESCRIPTION

- High Breakdown Voltage-
: $V_{CBO} = 1700V$ (Min)
- High Switching Speed
- Low Saturation Voltage
- Built-in Damper Diode

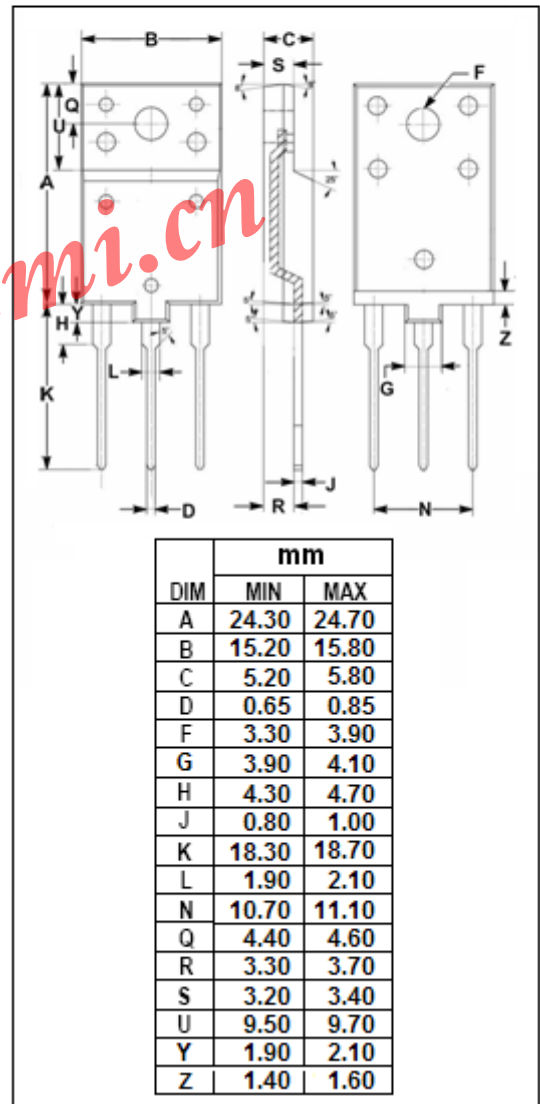
APPLICATIONS

- Horizontal deflection output for medium resolution display.



ABSOLUTE MAXIMUM RATINGS($T_a=25^{\circ}C$)

SYMBOL	PARAMETER	VALUE	UNIT
V_{CBO}	Collector-Base Voltage	1700	V
V_{CEO}	Collector-Emitter Voltage	600	V
V_{EBO}	Emitter-Base Voltage	5	V
I_C	Collector Current- Continuous	± 5	A
I_{CP}	Collector Current-Pulse	± 10	A
I_B	Base Current- Continuous	2.5	A
P_C	Collector Power Dissipation @ $T_C=25^{\circ}C$	50	W
T_J	Junction Temperature	150	$^{\circ}C$
T_{stg}	Storage Temperature Range	-55~150	$^{\circ}C$



isc Silicon NPN Power Transistor

2SC4765

ELECTRICAL CHARACTERISTICS

 $T_C=25^{\circ}\text{C}$ unless otherwise specified

SYMBOL	PARAMETER	CONDITIONS	MIN	TYP.	MAX	UNIT
$V_{(BR)EBO}$	Emitter-Base Breakdown Voltage	$I_E=300\text{mA}; I_C=0$	5			V
$V_{CE(sat)}$	Collector-Emitter Saturation Voltage	$I_C=3.5\text{A}; I_B=1.0\text{A}$			5.0	V
$V_{BE(sat)}$	Base-Emitter Saturation Voltage	$I_C=3.5\text{A}; I_B=1.0\text{A}$			1.5	V
I_{CBO}	Collector Cutoff Current	$V_{CB}=1700\text{V}; I_E=0$			1.0	mA
I_{EBO}	Emitter Cutoff Current	$V_{EB}=5\text{V}; I_C=0$	66		200	mA
h_{FE-1}	DC Current Gain	$I_C=1\text{A}; V_{CE}=5\text{V}$	8			
h_{FE-2}	DC Current Gain	$I_C=3.5\text{A}; V_{CE}=5\text{V}$	3.5		7.5	
V_{ECF}	C-E Diode Forward Voltage	$I_F=3.5\text{A}$			2.0	V
f_T	Current-Gain Bandwidth Product	$I_C=0.1\text{A}; V_{CE}=10\text{V}$	1	3		MHz
C_{OB}	Output Capacitance	$I_E=0; V_{CB}=10\text{V}; f_{test}=1.0\text{MHz}$		250		pF

Switching times ;Resistive load

t_{stg}	Storage Time	$I_C=3.5\text{A}, I_{B1}=0.7\text{A}; I_{B2}=-1.4\text{A}$ $R_L=56\Omega$			3.0	μs
t_f	Fall Time				0.2	μs

isc Silicon NPN Power Transistor

2SC4765

