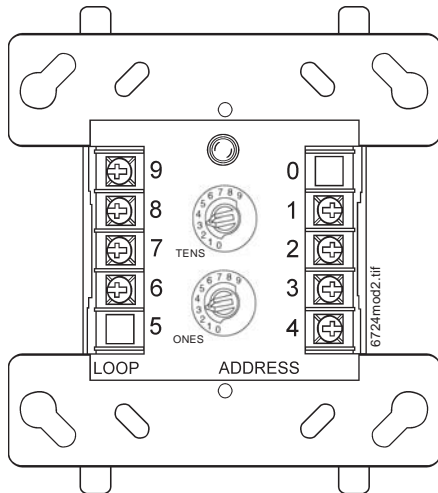


# SCE-SS and RCE-SS

## Addressable Control and Relay Modules



**SCE-SS Module**

(See wiring diagram Fig. 5 for RCE-SS)

### Description

**SCE-SS Control Module** — The SCE-SS Addressable SmartScan™ Control Module provides Gamewell intelligent control panels a circuit for Notification Appliances (horns, strobes, speakers, etc.) or to monitor a telephone circuit. Addressability allows the SCE-SS to be activated, either manually or through panel programming, on a select (zone or area of coverage) basis.

**RCE-SS Relay Module** — The RCE-SS Addressable Relay Module provides the system with a dry-contact output for activating a variety of auxiliary devices, such as fans, dampers, control equipment, etc. Addressability allows the dry contact to be activated, either manually or through panel programming, on a select basis.

### Applications

The SCE-SS is used to switch 24 VDC audible/visual power, high-level audio (speakers), or control telephone devices. The RCE-SS may be programmed to operate dry contacts for door holders, Air Handling Unit shutdown, etc., and to reset four-wire smoke detector power.

### Construction

- The face plate is made of off-white Noryl®.
- Controls include two rotary switches for direct-dial entry of address (01-99).
- The SCE-SS is configured for a single Class B (Style Y) or Class A (Style Z) Notification Appliance Circuit.
- The RCE-SS provides two Form-C dry contacts that switch together.

### Operation

Each SCE-SS or RCE-SS uses one of 99 possible module addresses on a SLC loop. It responds to regular polls from the control panel and reports its type and status, including the open/normal/short status of its Notification Appliance Circuit (NAC). The LED blinks with each poll received. On command, it activates its internal relay. The SCE-SS supervises Class B (Style Y) or Class A (Style Z) notification or control circuits.

Upon code command from the panel, the SCE-SS will disconnect the supervision and connect the external power supply in the proper polarity across the load device. The disconnection of the supervision provides a positive indication to the panel that the control relay actually turned ON. The external power supply is always relay isolated from the communication loop so that a trouble condition on the external power supply will never interfere with the rest of the system.

Rotary switches set a unique address for each module. The address may be set before or after mounting. The built-in TYPE CODE (not settable) will identify the module to the control panel, so as to differentiate between a module and a sensor address.

### Features

- Built-in type identification automatically identifies these devices to the control panel.
- Internal circuitry and relay powered directly by two-wire SLC loop. The SCE-SS module requires power (for horns, strobes, etc.), audio (for speakers), or a telephone riser (for handsets). Internal relay feature available on SmartScan™ systems only.
- Use with IF602, 610, 632, 654 and 658.
- Integral LED “blinks” green each time a communication is received from the control panel and turns on in steady red when activated.
- LED blink may be deselected globally (affects all devices).
- High noise immunity (EMF/RFI).
- The SCE-SS may be used to switch 24-volt NAC power, audio (up to 70.7 V<sub>RMS</sub>) or telephone.
- Wide viewing angle of LED.
- SEMS screws with clamping plates for wiring ease.
- Direct-dial entry of address 01–99 for SmartScan™.
- Speaker, audible/visual, and telephone applications may be wired for Class B or A (Style Y or Z).

### Listings

Listings and approvals below apply to the SCE-SS & RCE-SS Series Addressable Control and Relay Modules. In some cases, certain modules may not be listed by certain approval agencies, or listing may be in process. Consult factory for latest listing status.

- UL Listed: file S521.
- CSFM approved: file 7300-1288:171.

## Product Line Information

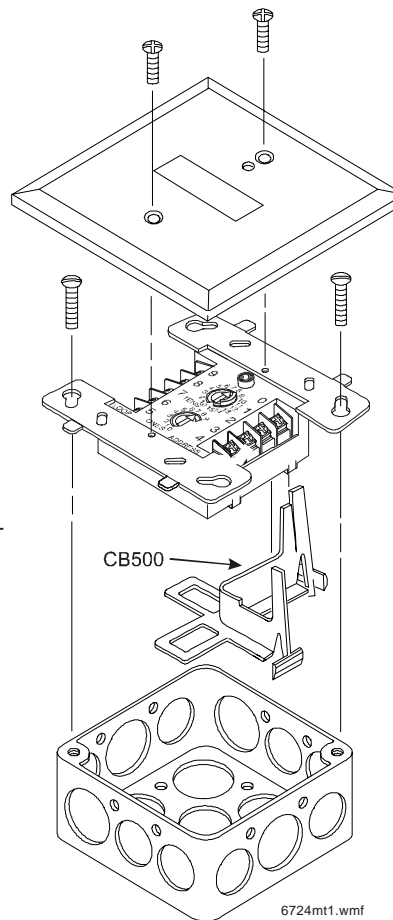
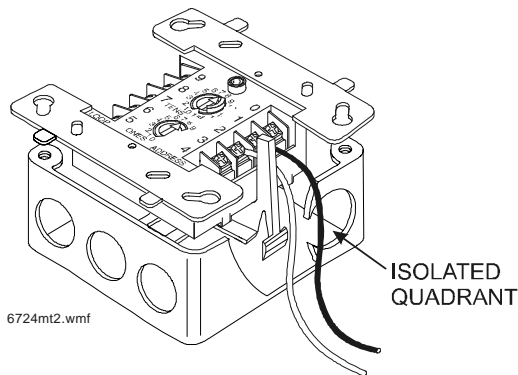
- SCE-SS** Intelligent Addressable Control Module.  
**RCE-SS** Intelligent Addressable Relay Module.  
**A2143-20** Capacitor, required for Class A (Style Z) operation of speakers.  
**SMB500** Optional Surface-Mount Backbox.  
**CB500** Control Module Barrier — required by UL for separating power-limited and non-power-limited wiring in the same junction box as SCE-SS-1.

## Relay Contact Ratings for both SCE-SS and RCE-SS models

Load Description	Application	Maximum Voltage	Current Rating
Resistive	Non-coded	30 VDC	3.0 A
Resistive	Coded	30 VDC	2.0 A
Resistive	Non-coded	110 VDC	0.9 A
Resistive	Non-coded	125 VAC	0.9 A
Inductive (L/R = 5 ms)	Coded	30 VDC	0.5 A
Inductive (L/R = 2 ms)	Coded	30 VDC	1.0 A
Inductive (PF = 0.35)	Non-coded	125 VAC	0.5 A

## Mounting Diagrams

Note CB500 Module Barrier, which creates isolated quadrant.



## Specifications for SCE-SS

**Normal operating voltage:** 15 to 32 VDC.

**Maximum current draw:** 6.5 mA (LED on).

**Average operating current:** 375  $\mu$ A group poll (SmartScan™ mode) with LED flashing.

**External supply voltage** (between Terminals T3 and T4): maximum 80 volts (RMS or DC).

**Drain on external supply:** 2 mA maximum (using internal EOL relay).

**EOL resistance:** 47K ohms.

**Temperature range:** 32°F to 120°F (0°C to 49°C).

**Humidity range:** 10% to 93% non-condensing.

**Dimensions:** 4.5" (11.43 cm) high x 4" (10.16 cm) wide x 1.25" (3.175 cm) deep. Mounts to a 4" (10.16 cm) square x 2.125" (5.398 cm) deep box.

## Specifications for RCE-SS

**Normal operating voltage:** 15 to 32 VDC.

**Maximum current draw:** 6.5 mA (LED on).

**Average operating current:** 255  $\mu$ A group poll (SmartScan™ mode) with LED flashing.

**EOL resistance:** not used.

**Temperature range:** 32°F to 120°F (0°C to 49°C).

**Humidity range:** 10% to 93% non-condensing.

**Dimensions:** 4.5" (11.43 cm) high x 4" (10.16 cm) wide x 1.25" (3.175 cm) deep. Mounts to a 4" (10.16 cm) square x 2.125" (5.398 cm) deep box.

**Normal operating voltage:** 15 to 32 VDC.

**Maximum current draw:** 6.5 mA (LED on).

**Average operating current:** 255  $\mu$ A group poll (SmartScan™ mode) with LED flashing.

**EOL resistance:** not used.

**Temperature range:** 32°F to 120°F (0°C to 49°C).

**Humidity range:** 10% to 93% non-condensing.

**Dimensions:** 4.5" (11.43 cm) high x 4" (10.16 cm) wide x 1.25" (3.175 cm) deep. Mounts to a 4" (10.16 cm) square x 2.125" (5.398 cm) deep box.

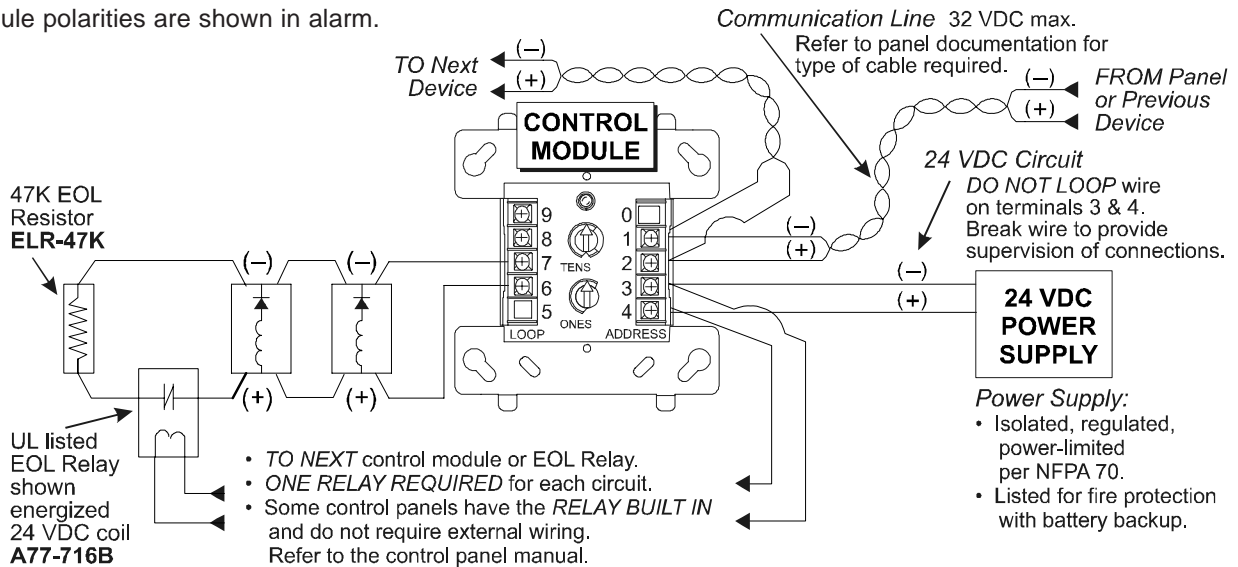
# Wiring Diagrams

The following wiring diagrams are provided:

- 1) **SCE-SS**: Typical notification appliance circuit configuration, NFPA Style Y.
- 2) **SCE-SS**: Typical fault-tolerant notification appliance circuit configuration, NFPA Style Z.
- 3) **SCE-SS**: Typical wiring for speaker supervision and switching, NFPA Style Y.
- 4) **SCE-SS**: Typical fault-tolerant wiring for speaker supervision and switching, NFPA Style Z.
- 5) **RCE-SS**: Relay module wiring diagram.

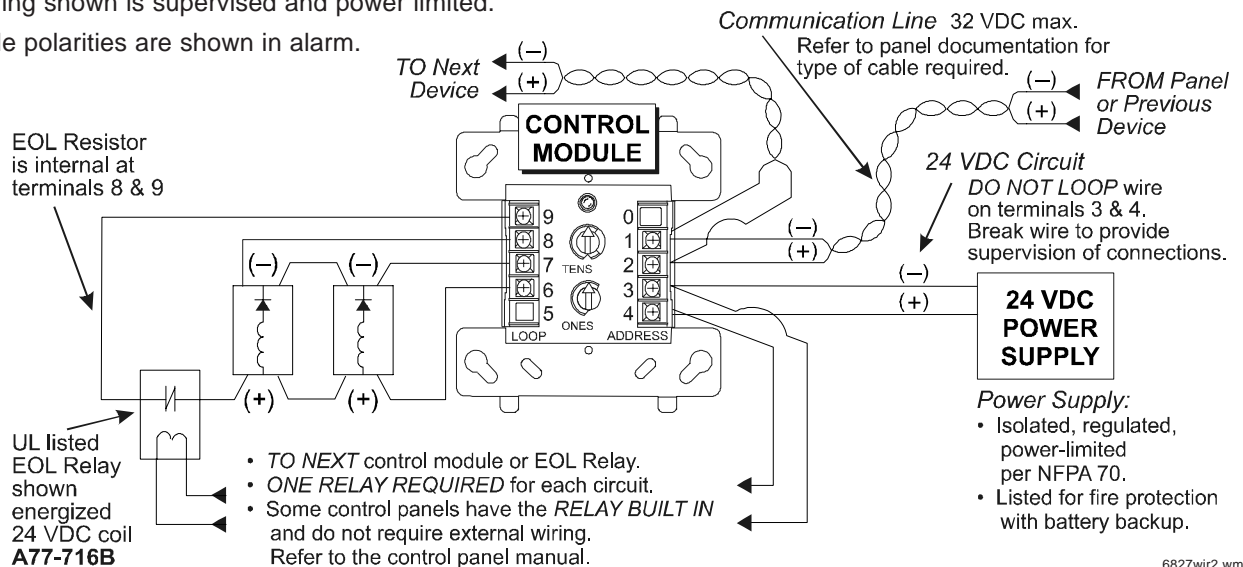
▼ Fig. 1 **SCE-SS: Typical notification appliance circuit configuration, NFPA Style Y.**

- Connect modules to Listed compatible Gamewell control panels only.
- All wiring shown is supervised and power limited.
- Module polarities are shown in alarm.



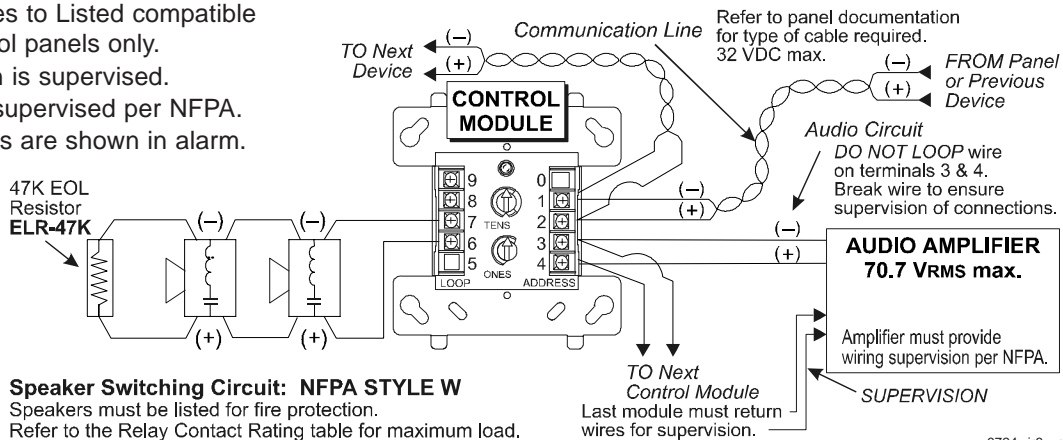
▼ Fig. 2 **SCE-SS: Typical fault-tolerant notification appliance circuit configuration, NFPA Style Z.**

- Connect modules to Listed compatible Gamewell control panels only.
- All wiring shown is supervised and power limited.
- Module polarities are shown in alarm.



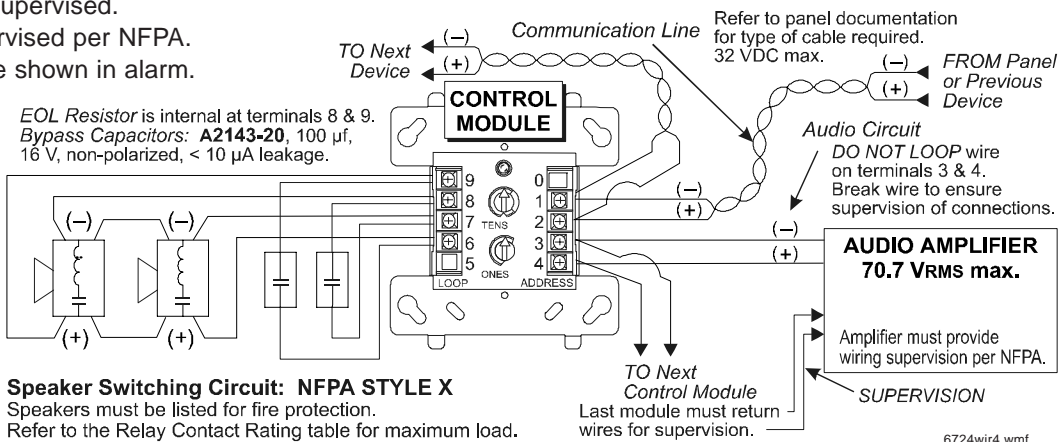
▼ **Fig. 3 SCE-SS: Typical wiring for speaker supervision and switching, NFPA Style Y.**

- Connect modules to Listed compatible Gamewell control panels only.
- All wiring shown is supervised.
- Wires must be supervised per NFPA.
- Module polarities are shown in alarm.



▼ **Fig. 4 SCE-SS: Typical fault-tolerant wiring for speaker supervision and switching, NFPA Style Z.**

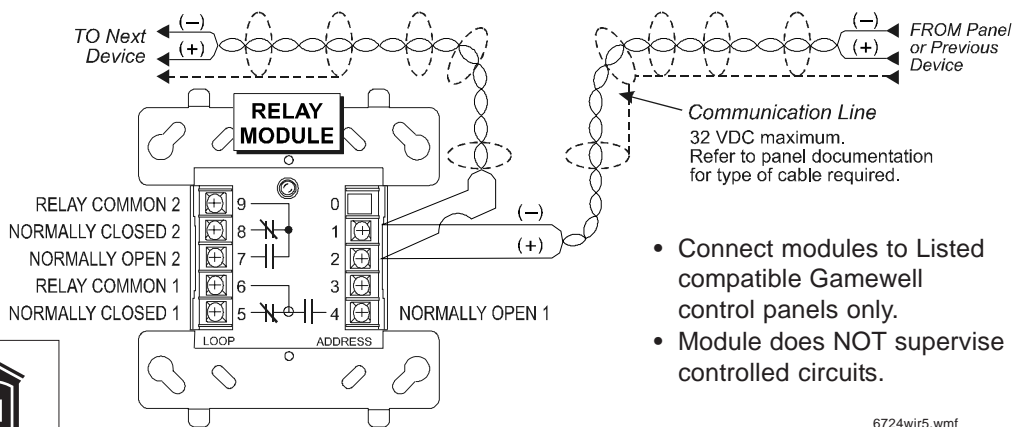
- Connect modules to Listed compatible Gamewell control panels only.
- All wiring shown is supervised.
- Wires must be supervised per NFPA.
- Module polarities are shown in alarm.



**NOTE regarding AUDIO AMPLIFIER in Figures 3 & 4:**

1) Audio circuit wiring must be twisted-pair as a minimum. See Gamewell installation manual for detailed information.

► **Fig. 5 RCE-SS: Relay module wiring diagram.**



A Honeywell Company

**Gamewell-FCI**  
12 Clintonville Road  
Northford, CT 06472-1610  
Phone: 203-484-7161  
Fax: 203-484-7118  
www.gamewell-fci.com

A Honeywell Company  
© 2006 Gamewell-FCI

Specifications and wiring information are provided for information only and are believed to be accurate. Gamewell-FCI assumes no responsibility for their use. Data and design are subject to change without notice. Installation and wiring instructions shipped with the product shall always be used for actual installation. For more information, contact Gamewell-FCI.