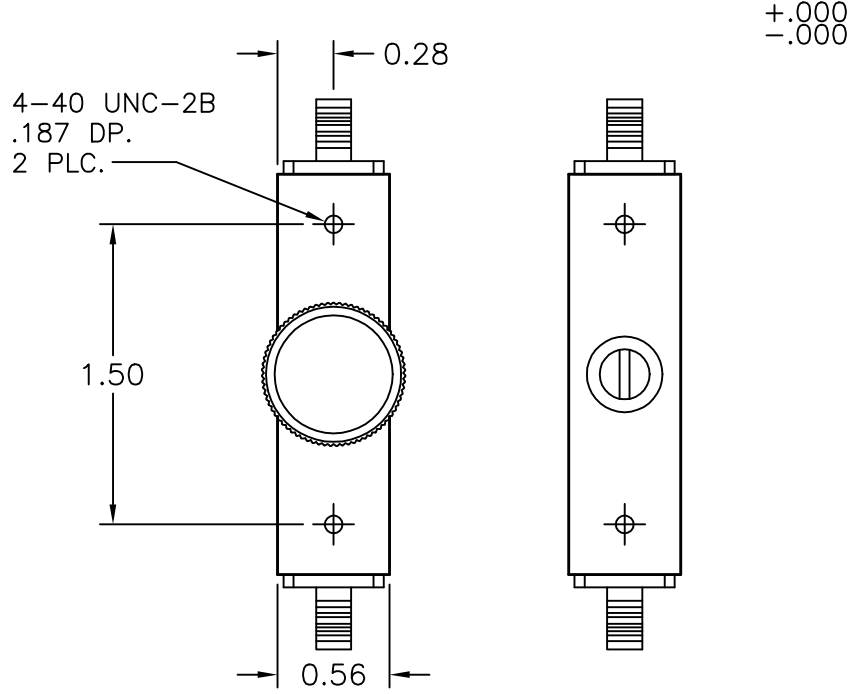
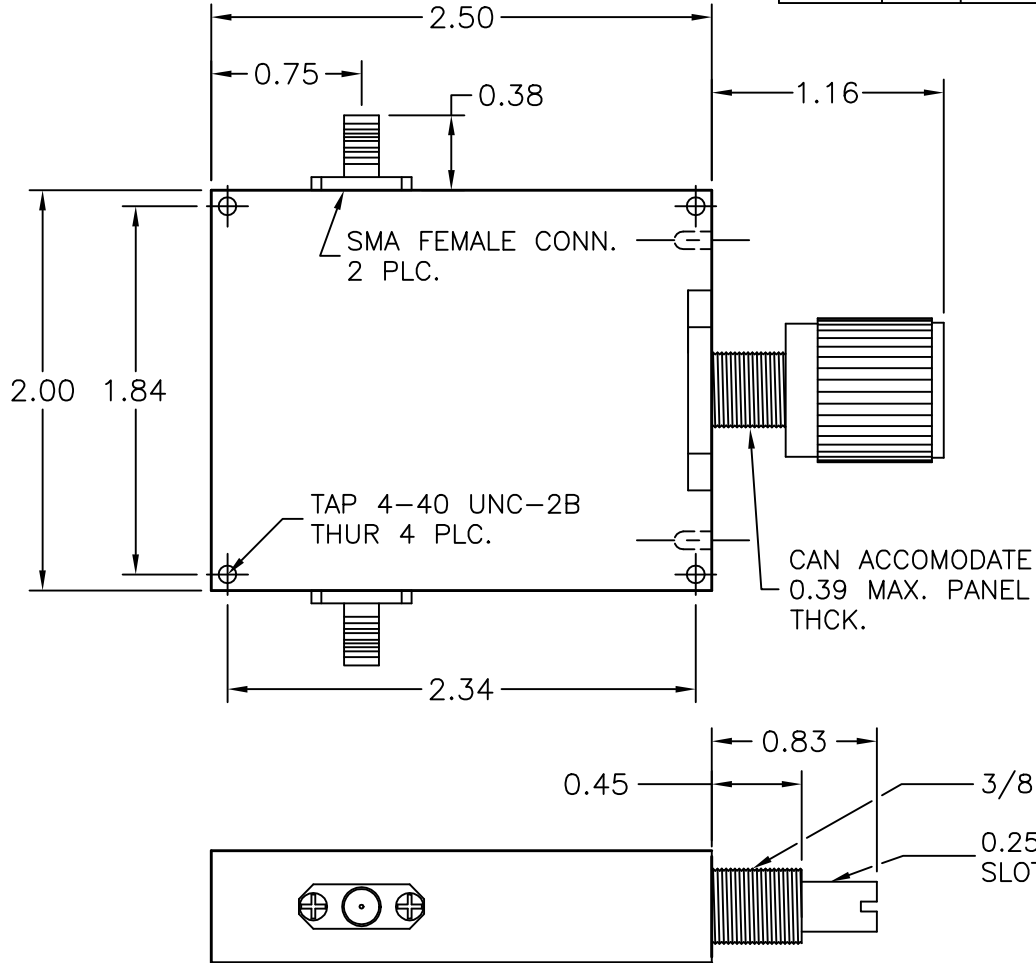


QUANTITY	MODEL NUMBER	NEXT ASSEMBLY	REVISIONS				
			ZONE	REV	DESCRIPTION	DATE	APPROVED
1	AV/AF98X-XX	0000		A	INITIAL RELEASE	4/5/01	



THIRD ANGLE PROJECTION =

UNLESS OTHERWISE SPECIFIED DIMENSIONS ARE IN INCHES
TOLERANCES ARE:
FRACTIONS DECIMALS ANGELS
±1/64 ±.01 ±1/2°
±.005

PROPRIETARY NOTICE
The information contained in this drawing is proprietary and shall not be used or disclosed without the prior written consent of ATM, Inc.

ATM
ADVANCED TECHNICAL MATERIALS, INC.

MATERIAL

FINISH
ATM STANDARD GREY

DRAWN
R. LYNCH

DATE
4/5/01

CHECKED

APPROVED

ADVANCED TECHNICAL MATERIALS, INC.
49 RIDER AVENUE, PATCHOGUE N.Y. 11772
TEL: (631) 289-0363 FAX: (631) 289-0358

AV/AF98 ATTENUATOR

SIZE A	FSCM NO. OR8N4	DWG NO. 4218	REV A
-----------	-------------------	-----------------	----------

SCALE: 1 To 1 DO NOT SCALE DRAWING SHEET 3 OF 3