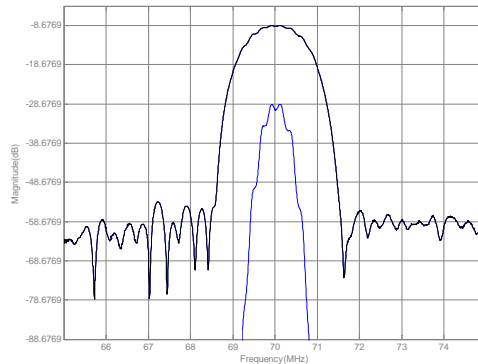




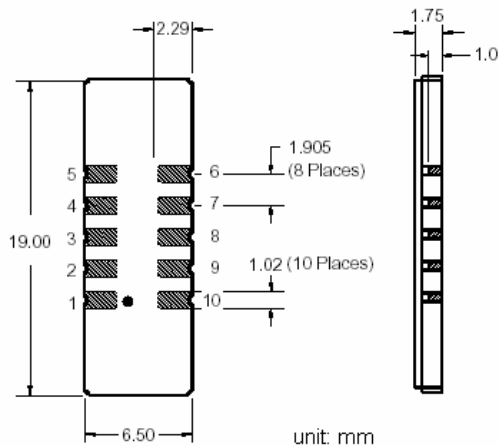
## LBT07010L SAW Filter Electrical Characteristic

<i>Specifications</i>				
Parameter	Unit	Minimum	Typical	Maximum
<b>Center Frequency</b>	MHz	69.92	70	70.08
<b>Insertion Loss</b>	dB	-	8.6	9
<b>1 dB Bandwidth</b>	MHz	0.7	0.76	-
<b>3 dB Bandwidth</b>	MHz	1	1.2	-
<b>40 dB Bandwidth</b>	MHz	-	2.8	3
<b>Passband Variation</b>	dB	-	0.5	1
<b>Absolute Delay</b>	usec	-	2.1	-
<b>Phase Linearity</b> (60% of 3 dB Bandwidth)	Deg	-	8	12
<b>Group Delay Variation</b> (60% of 3 dB Bandwidth)	nsec	-	250	500
<b>Substrate Material</b>		LiTaO <sub>3</sub>		
<b>Ambient Temperature</b>	°C	25		
<b>Center Frequency</b>		SMP-75 (19x6.5x2.0mm <sup>3</sup> )		

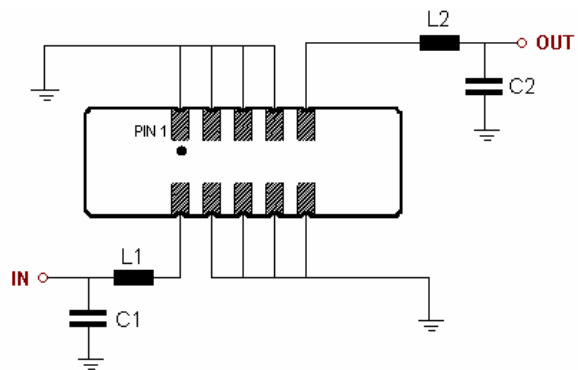
### *Typical Performance*



### *Package Outline*



### *Matching Configuration*



$$L1=L2=120\text{nH} \quad C1=C2=82\text{pF}$$

Source/Load Impedance = 50 ohm