

14	P-01102	ADD THE MATERIAL AT THE CORNERS, ADD RIBS ON THE BOTTOM.	10 DEC 01
13	P-00909	CHANGE SURFACE RESISTIVITY	1 FEB 99
12	P-00763	ADD RUNNER GATE & HOLE LOCATION	15 SEP 98
11	P-00657	CHANGE POSITION TOL	10 OCT 97
10	P-00555	ADD DETAIL S AS MARKING	15 SEP 95
9	P-00524	INCLUDE SSI REQUIREMENT	21 APR 95
REV.NO.	ECN #	DESCRIPTION	DATE

THIS DOCUMENT CONTAINS INFORMATION PROPRIETARY TO PEAK PLASTIC & METAL PRODUCTS INTERNATIONAL LIMITED. REPRODUCTION, DISCLOSURE OR USE OF THIS DOCUMENT IS EXPRESSLY PROHIBITED EXCEPT IF OTHERWISE AGREED UPON IN WRITING.

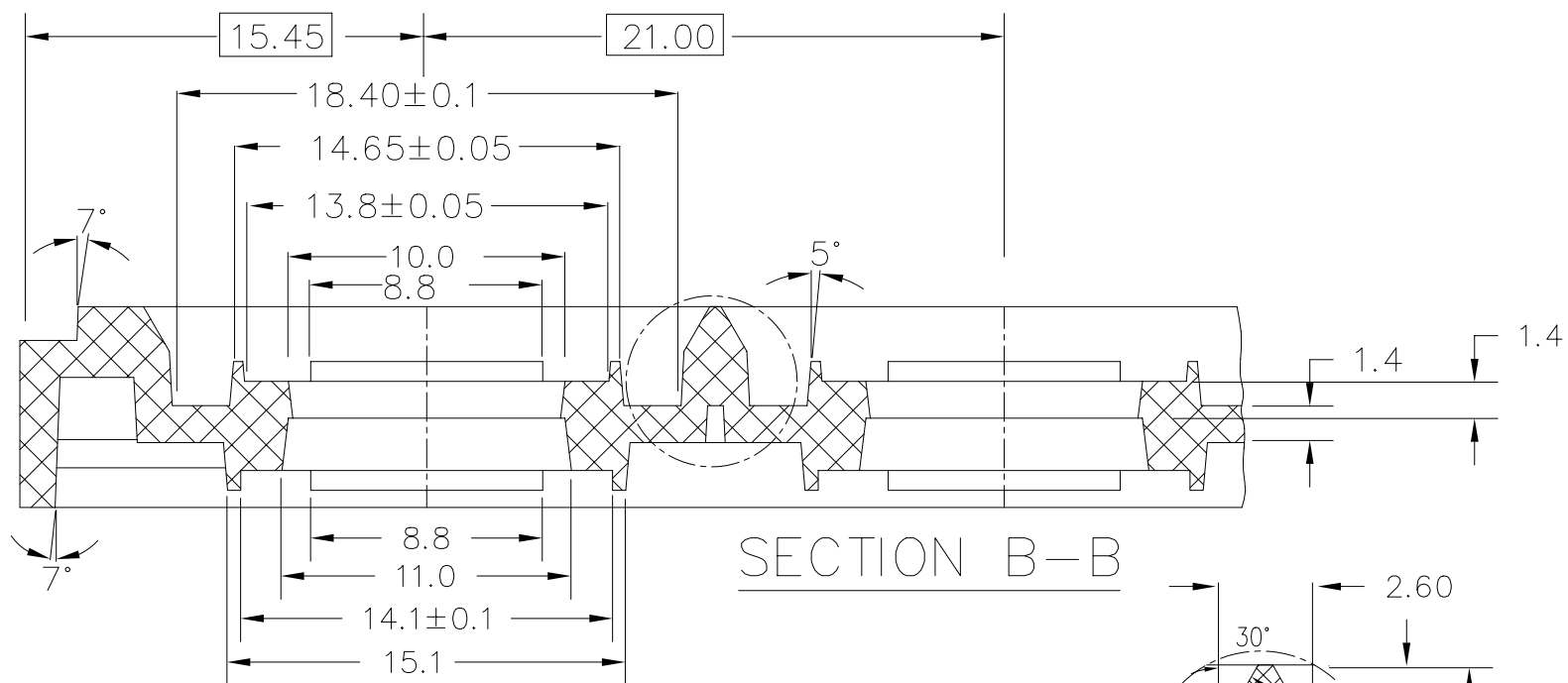
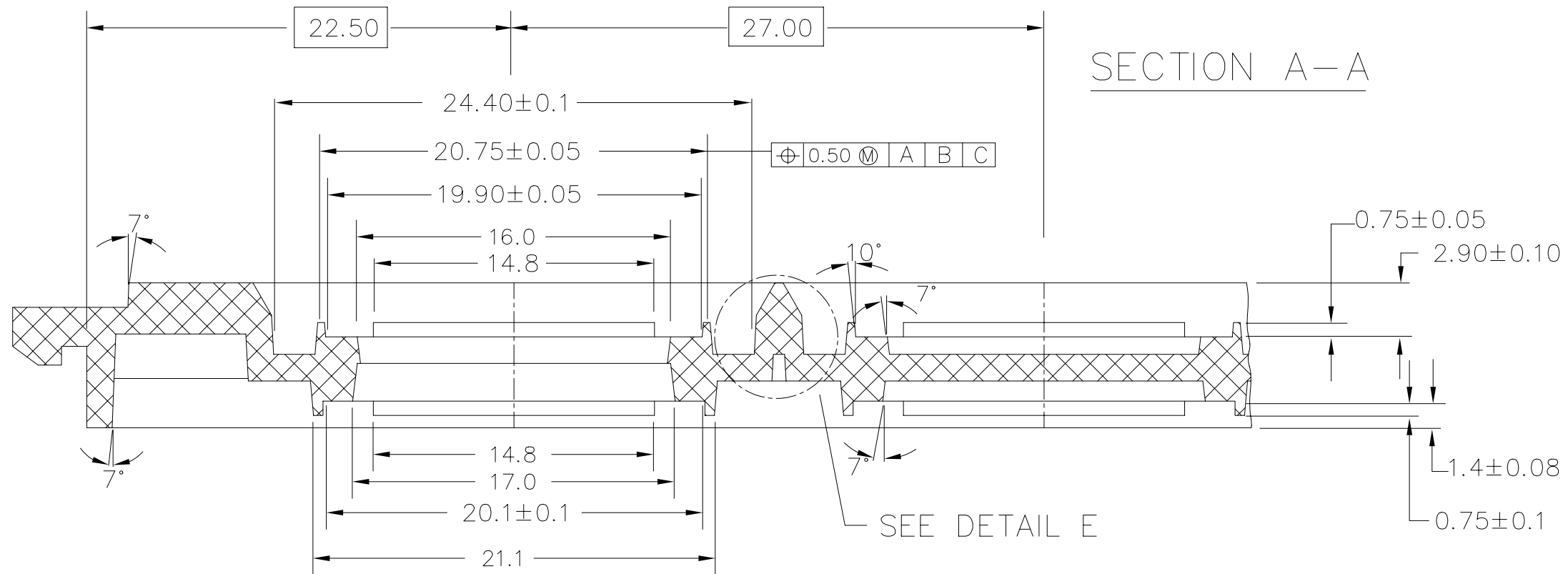
DRAWN BY : Wang	PAGE 1 OF 2
CHECKED BY :	DATE : 10 DEC 01
APPROVED BY :	DATE : 10 DEC 01
APPROVED BY :	DATE : 10 DEC 01
DO NOT SCALE DRAWING	CODE : CSA00606

PEAK PEAK PLASTIC & METAL PRODUCTS INT'L LTD.

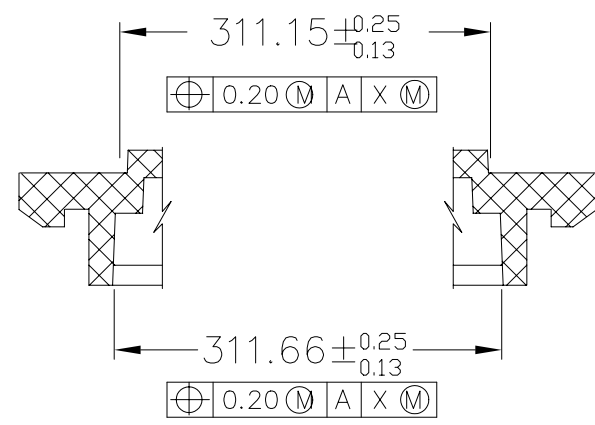
CUSTOMER : **PEAK**

TITLE : ND 1420 2.7 0611 8 REV.B

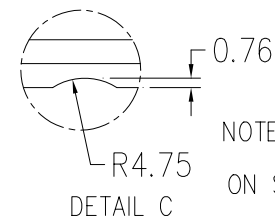
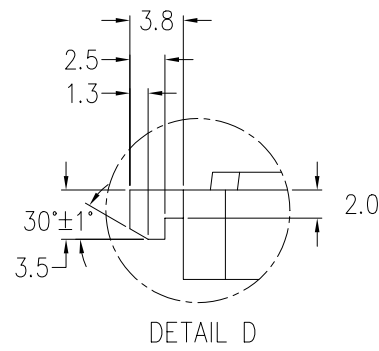
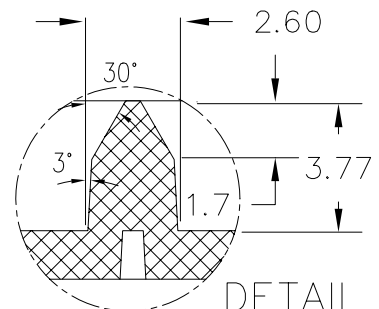
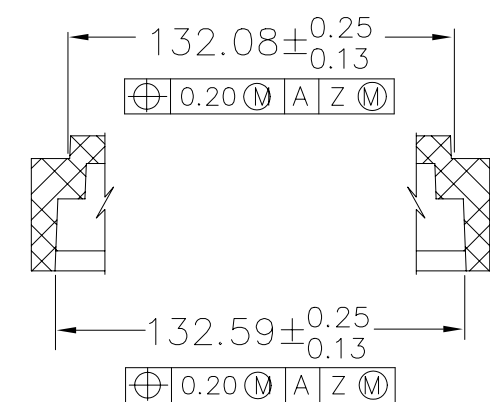
DWG NO.: ND 1420 2.7 0611 8 REV.B REV. 14



SECTION H-H



SECTION J-J



REV.NO.	ECN #	DESCRIPTION	DATE
14	P-01102	ADD THE MATERIAL AT THE CORNERS, ADD RIBS ON THE BOTTOM.	10 DEC 01
13	P-00909	CHANGE SURFACE RESISTIVITY	1 FEB 99
12	P-00763	ADD RUNNER GATE & HOLE LOCATION	15 SEP 98
11	P-00657	CHANGE POSITION TOL	10 OCT 97
10	P-00555	ADD DETAIL S AS MARKING	15 SEP 95
9	P-00524	INCLUDE SSI REQUIREMENT	21 APR 95

THIS DOCUMENT CONTAINS INFORMATION PROPRIETARY TO PEAK PLASTIC & METAL PRODUCTS INTERNATIONAL LIMITED. REPRODUCTION, DISCLOSURE OR USE OF THIS DOCUMENT IS EXPRESSLY PROHIBITED EXCEPT IF OTHERWISE AGREED UPON IN WRITING.

DRAWN BY : Wang	PAGE 2 OF 2
CHECKED BY :	DATE : 10 DEC 01
APPROVED BY :	DATE : 10 DEC 01
APPROVED BY :	DATE : 10 DEC 01
DO NOT SCALE DRAWING	CODE : CSA00606



CUSTOMER :	PEAK
TITLE :	ND 1420 2.7 0611 8 REV.B
DWG NO.:	ND 1420 2.7 0611 8 REV.B
REV.	14