

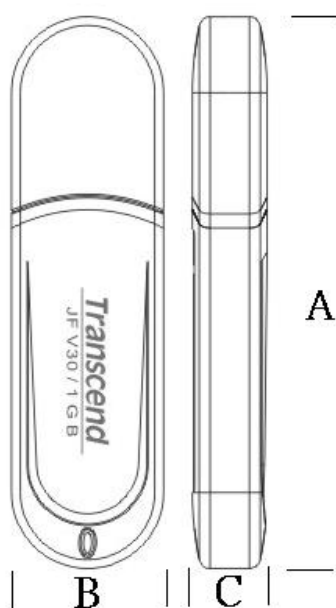
# TS1GJFV30

1GB USB2.0 JetFlash® V30

## Description

TS1GJFV30 is a 1GB USB Flash Drive with 1pcs of 1Gx8 Flash Memory assembled on printed circuit board.

## Outline



## Features

- Frame Color: Blue
- Fully compatible with hi-speed USB 2.0
- Easy Plug and Play installation
- USB powered. No external power or battery needed
- Driverless (only Windows® 98SE needs the enclosed driver)
- LED indicates the usage status
- JetFlash® software pack includes:
  - Favorites Function: store all your favorite website addresses on the JetFlash®
  - AutoLogin Function: automatically login to websites where you have a password
  - Secret-Zip Function: compress and/or password protect saved files using AES encryption
  - PC-Lock Function: makes JetFlash® a key to you're your computer
  - E-Mail Function: use your JetFlash® to securely send, receive and save e-mails
  - DataBackup Function: backup, restore and synchronize your data

## System Requirement

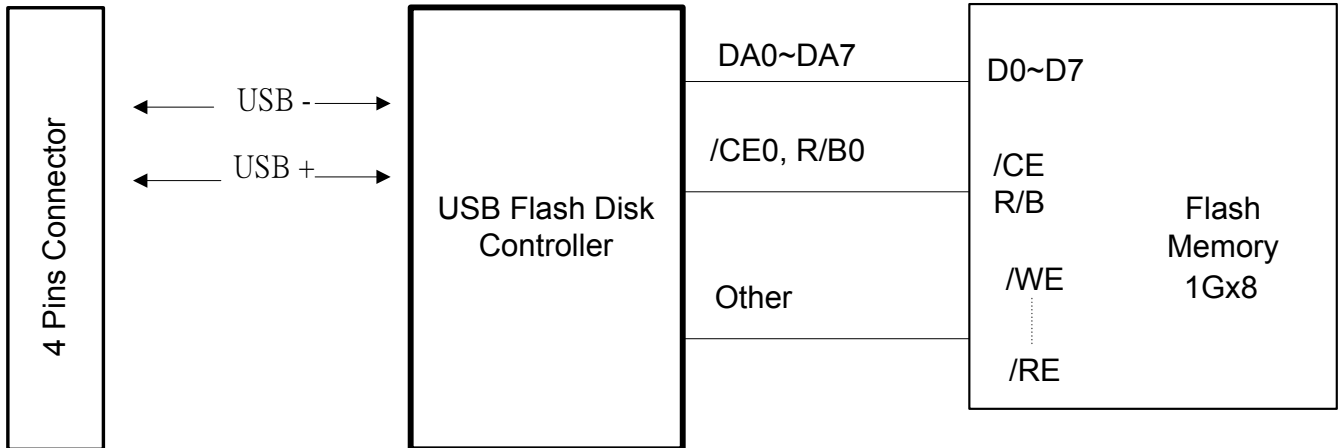
- Hardware: Desktop or notebook computer with USB port
- Operating System: Windows® Me, Windows® 2000, Windows® XP and Mac™ OS 9.0 or later, Linux™ Kernel 2.4.2 or later

## Dimensions

| Side | Millimeters | Inches      |
|------|-------------|-------------|
| A    | 60 ± 1.00   | 2.36 ± 0.04 |
| B    | 16.5 ± 1.00 | 0.65 ± 0.04 |
| C    | 8.1 ± 1.00  | 0.32 ± 0.04 |

## Block Diagram

• With 1 pcs of 1Gx8 Flash Memory



# TS1GJFV30

1GB USB2.0 JetFlash® V30

## Pinouts

| Pin No. | Pin Name |
|---------|----------|
| 01      | VCC      |
| 02      | USB-     |
| 03      | USB+     |
| 04      | VSS      |

## Pin Identification

| Symbol | Function  |
|--------|---|
| USB-   | USB differential signal:                            |
| USB+   | The pairs are used to transmit Data/Address/Command |
| VSS    | Ground  |
| VCC    | USB power input                                     |

## Specifications

|                      |  |
|----------------------|--|
| Storage Capacity     | 1GB  |
| Data Retention       | 10 years                                     |
| Erase Cycles         | >10,000 times                                |
| Connector Durability | 10,000 times                                 |
| System Performance   | Read: 10MB/sec (max.), Write: 3MB/sec (max.) |
| Power Supply         | DC 5V±10% via the USB port                   |
| Temperature Range    | Operation: 0-70°C, Non-Operating: -40°C-85°C |
| Certificates         | CE, FCC, BSMI                                |

# TS1GJFV30

1GB USB2.0 JetFlash® V30

## Absolute Maximum Ratings

| Symbol          | Parameter     | Rating     | Unit |
|-----------------|---------------|------------|------|
| V <sub>CC</sub> | Power Supply  | 4.5 to 5.5 | V    |
| V <sub>IN</sub> | Input Voltage | 3 to 3.6   | V    |

## DC Characteristics:

| Symbol           | Parameter  | Min. | Typ. | Max. | Units |
|------------------|--|------|------|------|-------|
| I <sub>IL</sub>  | Input Leakage Current<br>(No pull-up or pull-down) | -10  |      | 10   | μA    |
| I <sub>OZ</sub>  | Tri-State Leakage Current                          | -10  |      | 10   | μA    |
| V <sub>IL</sub>  | Input Low Voltage                                  |      |      | 0.8  | V     |
| V <sub>IH</sub>  | Input High Voltage                                 | 2.0  |      |      | V     |
| V <sub>OL</sub>  | Output Low Voltage (I <sub>OL</sub> =4mA)          |      |      | 0.4  | V     |
| V <sub>OH</sub>  | Output High Voltage (I <sub>OH</sub> =4mA)         | 2.4  |      |      | V     |
| R <sub>pu</sub>  | Input pull-up resistance<br>(PU=high, PD=low)      | 55   | 75   | 110  | KΩ    |
| R <sub>pd</sub>  | Input pull-down resistance<br>(PU=low, PD=high)    | 40   | 75   | 150  | KΩ    |
| I <sub>ACT</sub> | Active Current                                     |      |      | 55   | mA    |
| I <sub>SLP</sub> | Sleep Current                                      |      |      | 120  | μA    |

## Recommended Operating Conditions

| Symbol            | Parameter             | Min. | Typ. | Max. | Units |
|-------------------|-----------------------|------|------|------|-------|
| V <sub>CC</sub>   | Power Supply Voltage  | 4.5  | 5    | 5.5  | V     |
| V <sub>IN</sub>   | Input Voltage         | 3    | 3.3  | 3.6  | V     |
| V <sub>CC18</sub> | Internal Power Supply | 1.62 | 1.8  | 1.98 | V     |

Above technical information is based on industry standard data and tested to be reliable. However, Transcend makes no warranty, either expressed or implied, as to its accuracy and assumes no liability in connection with the use of this product. Transcend reserves the right to make changes in specifications at any time without prior notice.