

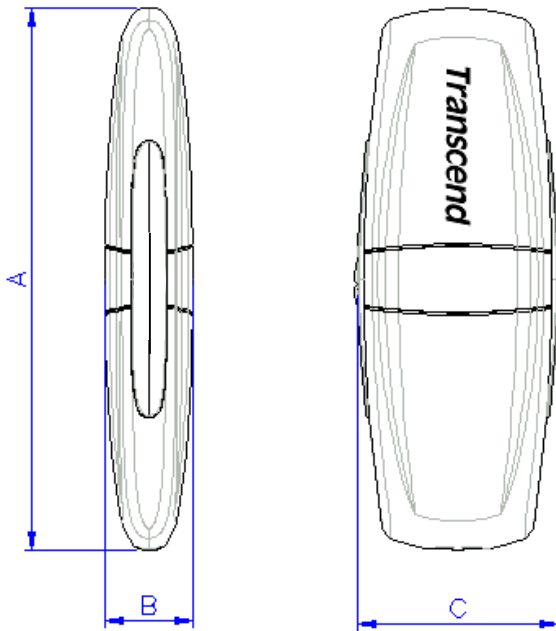
TS2GJFV20

2GB USB2.0 JetFlash[®]V20

Description

TS2GJFV20 is a 2GB USB Flash Drive with 1pcs of 4Gx8 (or 2pcs of 1Gx8) Flash Memory assembled on printed circuit board.

Outline



Features

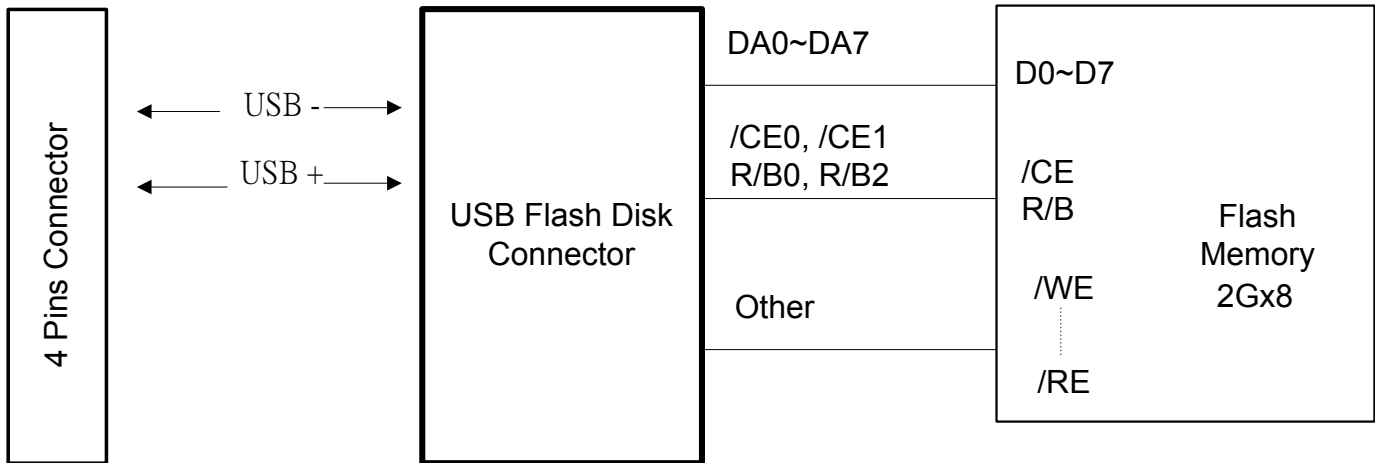
- Band Color: Red
- USB Interface: Compliant with USB specification 2.0.
- No external power or battery needed
- LED indicates the usage status.
- JetFlash elite software pack includes (Windows Me/2000/XP/Vista only):
 - Favorites Function: store all your favorite website addresses on the JetFlash™
 - AutoLogin Function: automatically login to websites where you have a password
 - Secret-Zip Function: compress and/or password protect saved files using AES encryption
 - PC-Lock Function: makes JetFlash™ a key to lock your computer
 - E-Mail Function: use your JetFlash™ to securely send, receive and save e-mails
 - DataBackup Function: backup, restore and synchronize your data

Dimensions

Side	Millimeters	Inches
A	75 ± 1.00	2.95 ± 0.04
B	11 ± 1.00	0.43 ± 0.04
C	25 ± 1.00	0.98 ± 0.04

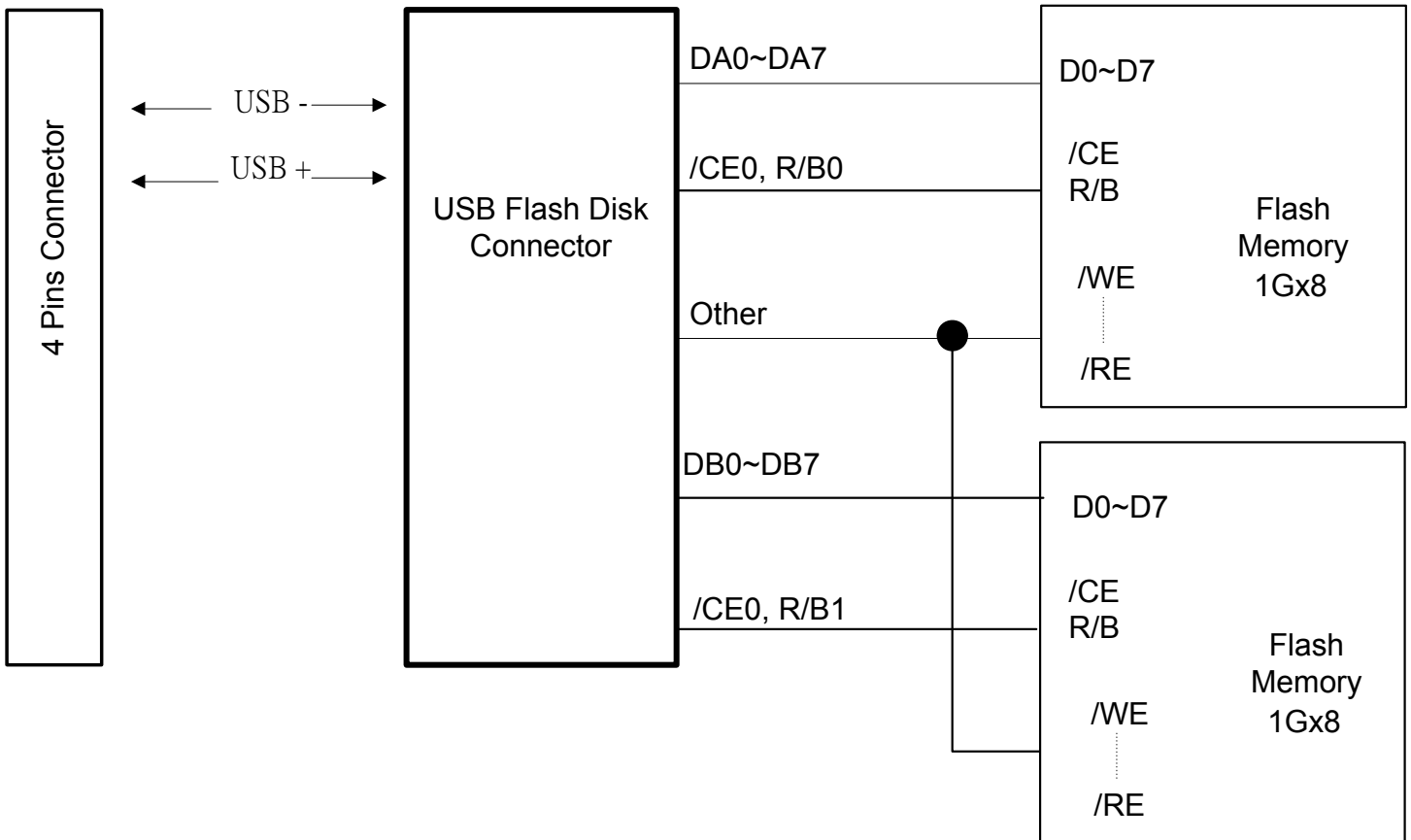
Block Diagram

- With 1 pcs of 2Gx8 Flash Memory



2

- With 2 pcs of 1Gx8 Flash Memory



TS2GJFV20

2GB USB2.0 JetFlash®V20

Pinouts

Pin No.	Pin Name
01	VCC
02	USB-
03	USB+
04	VSS

Pin Identification

Symbol	Function
USB-	USB differential signal:
USB+	The pairs are used to transmit Data/Address/Command
VSS	Ground
VCC	USB power input

Specifications

Storage Capacity	2GB
Data Retention	10 years
Erase Cycles	>10,000 times
Connector Durability	10,000 times
System Performance	Read: 10MB/sec (max.), Write: 3MB/sec (max.)
Power Supply	DC 5V±10% via the USB port
Temperature Range	Operation: 0-70°C, Non-Operating: -40°C-85°C
Certificates	CE, FCC, BSMI

Absolute Maximum Ratings

Symbol	Parameter	Rating	Unit
V _{CC}	Power Supply	4.5 to 5.5	V
V _{IN}	Input Voltage	3 to 3.6	V

DC Characteristics:

Symbol	Parameter	Min.	Typ.	Max.	Units
I _{IL}	Input Leakage Current (No pull-up or pull-down)	-10		10	μA
I _{OZ}	Tri-State Leakage Current	-10		10	μA
V _{IL}	Input Low Voltage			0.8	V
V _{IH}	Input High Voltage	2.0			V
V _{OL}	Output Low Voltage (I _{OL} =4mA)			0.4	V
V _{OH}	Output High Voltage (I _{OH} =4mA)	2.4			V
R _t	Input pull-up/down resistance (V _{IL} =0V or V _{IH} = V _{CC})	40	75	190	KΩ
I _{ACT}	Active Current			73	mA
I _{SLP}	Sleep Current			120	μA

Recommended Operating Conditions

Symbol	Parameter	Min.	Typ.	Max.	Units
V _{CC}	Power Supply Voltage	4.5	5	5.5	V
V _{IN}	Input Voltage	3	3.3	3.6	V
V _{CC18}	Internal Power Supply	1.62	1.8	1.98	V

Above technical information is based on industry standard data and tested to be reliable. However, Transcend makes no warranty, either expressed or implied, as to its accuracy and assumes no liability in connection with the use of this product. Transcend reserves the right to make changes in specifications at any time without prior notice.