



**DC COMPONENTS CO., LTD.**  
RECTIFIER SPECIALISTS

**BAT85**

**TECHNICAL SPECIFICATIONS OF SMALL SIGNAL SCHOTTKY BARRIER DIODES**  
**VOLTAGE - 30 Volts** **CURRENT - 0.2 Amperes**

**FEATURES**

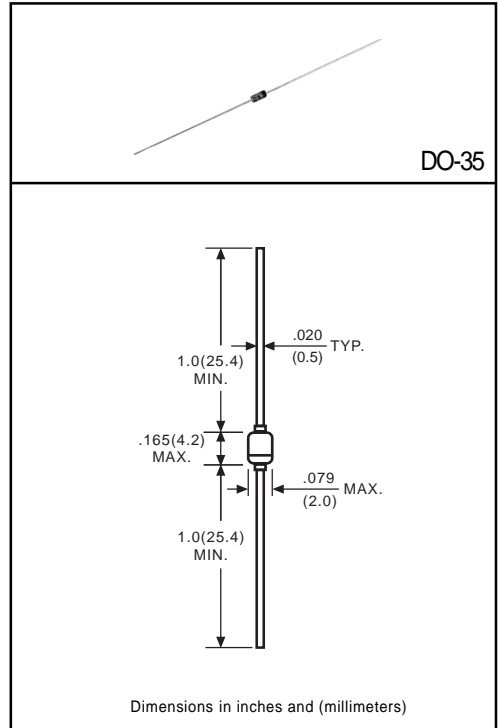
- \* For general purpose applications
- \* This diode features very low turn-on voltage and fast switching. This device is protected by a PN junction guard ring against excessive voltage, such as electrostatic discharge(ESD).

**MECHANICAL DATA**

- \* Case: Glass sealed case
- \* Lead: MIL-STD-202E, Method 208 guaranteed
- \* Polarity: Color band denotes cathode end
- \* Mounting position: Any
- \* Weight: 0.13 gram

**MAXIMUM RATINGS AND ELECTRICAL CHARACTERISTICS**

Ratings at 25°C ambient temperature unless otherwise specified.  
Single phase, half wave, 60Hz, resistive or inductive load.  
For capacitive load, derate current by 20%.



	SYMBOL	BAT85	UNITS
Maximum Recurrent Peak Reverse Voltage	V <sub>RRM</sub>	30	Volts
Maximum RMS Voltage	V <sub>RMS</sub>	21	Volts
Maximum DC Blocking Voltage	V <sub>DC</sub>	30	Volts
Maximum Average Forward Rectified Current at TA=75°C	I <sub>O</sub>	0.2	Amps
Peak Forward Surge Current 8.3 ms single half sine-wave superimposed on rated load (JEDEC Method)	I <sub>FSM</sub>	4.0	Amps
Maximum Instantaneous Forward Voltage at 0.1A DC	V <sub>F</sub>	0.8	Volts
Maximum DC Reverse Current at Rated DC Blocking Voltage, TA=25°C	I <sub>R</sub>	2.0	μAmps
Typical Thermal Resistance (Note1)	R <sub>θJA</sub>	300	°C/W
Typical Junction Capacitance (Note 2)	C <sub>J</sub>	10	pF
Storage Operating Temperature Range	T <sub>J</sub> , T <sub>STG</sub>	-55 to +125	°C

NOTES : 1. Leads maintained at specified ambient temperature at a distance of 4.0mm from case.  
2. Measured at 1 MHz and applied reverse voltage of 1.0 volts.

## RATING AND CHARACTERISTIC CURVES (BAT85)

FIG. 1 - TYPICAL FORWARD CURRENT DERATING CURVE

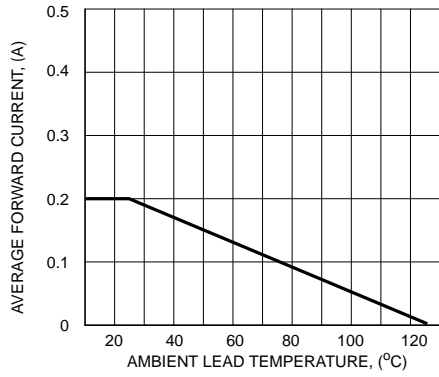


FIG. 2 - TYPICAL INSTANTANEOUS FORWARD CHARACTERISTICS

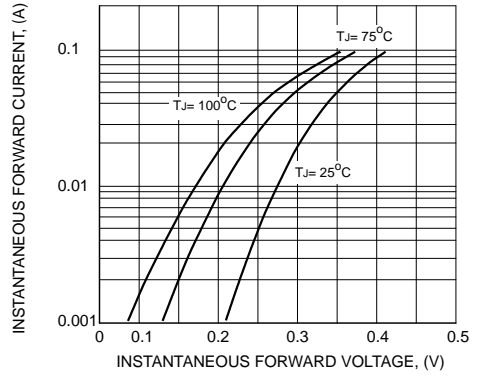


FIG. 3 - TYPICAL REVERSE CHARACTERISTICS

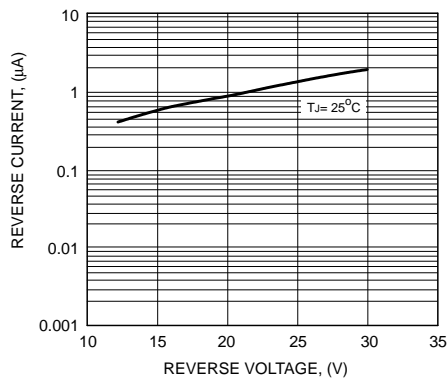


FIG. 4 - TYPICAL REVERSE CHARACTERISTICS

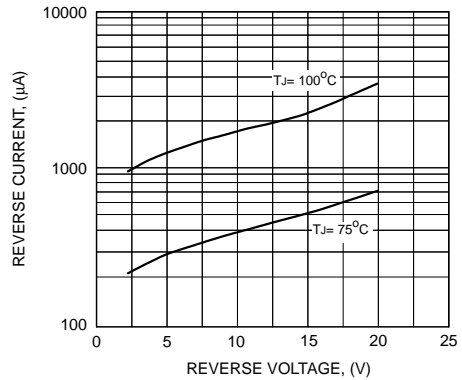


FIG. 5 - TYPICAL JUNCTION CAPACITANCE

