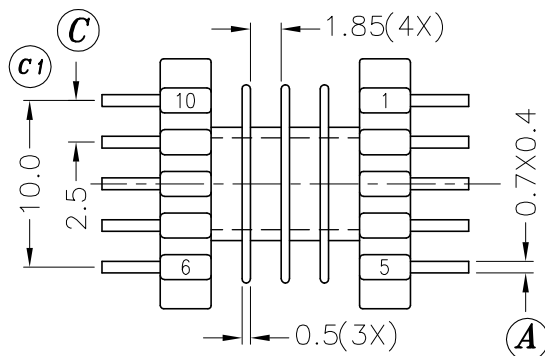
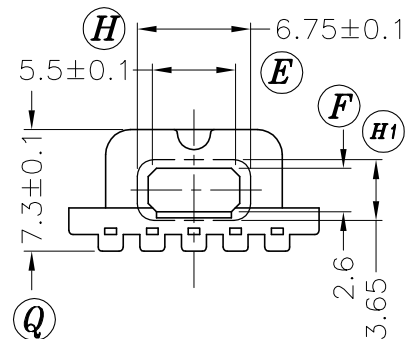
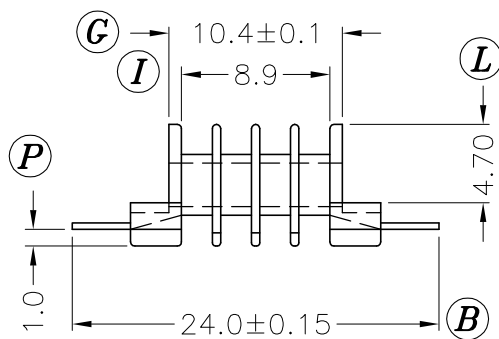
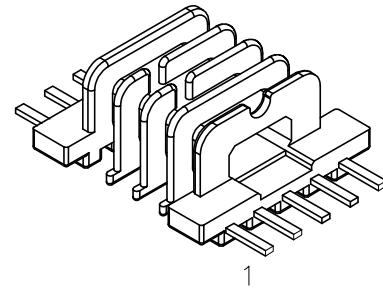
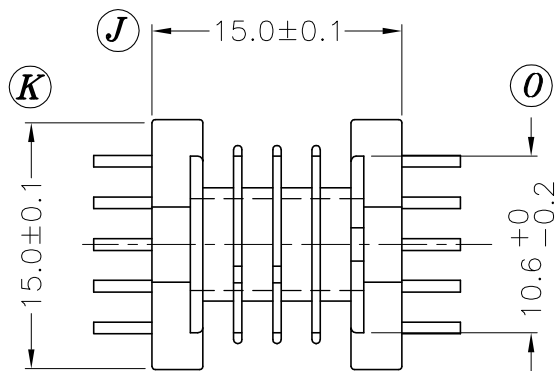


FERYSTER Inductive Components

ul. Traugutta 4 , 68-120 Iłowa Poland

http://www.feryster.com.pl e-mail: info@feryster.com.pl



DRAWING NO.	MATERIAL:	ORIGIN:
S-1509-2	LCP E4008	DG

B-029.401L(B-029)

DOSTAWCA:	TOLERANCES		ANGLE:	TITLE: EFD15-K-10P-4S-SMD	
	0 < L ≤ 4 ± 0.1	COPLANARITY 0.1 MAX	UNIT:	BOBBIN MATERIAL:	UL REC.
4 < L ≤ 16 ± 0.2	MM		LCP E4008	UL 94V-0	
FERYSTER Inductive Components Tel: +48 68 360 00 76 fax: +48 68 360 00 70	16 < L ≤ 63 ± 0.3	ORIGIN:	PIN MATERIAL:	PIN TENSION LOAD:	
		SZ	PHOSPHOR BRONZE	1.5 KG MIN	
			DATE:	DRAWING NO.	REV.
			APR.04 '2003	S-1509	1